



Spare Parts Catalogue

G-Drink 6 Design Line [DM6]

Revision: **002** Date: 01/07/2016



This pdf Manual has been created on the date indicated.
The latest version (inter-active) is available on web-site www.sandenvendo.com Client Area.
Thank you



English Version

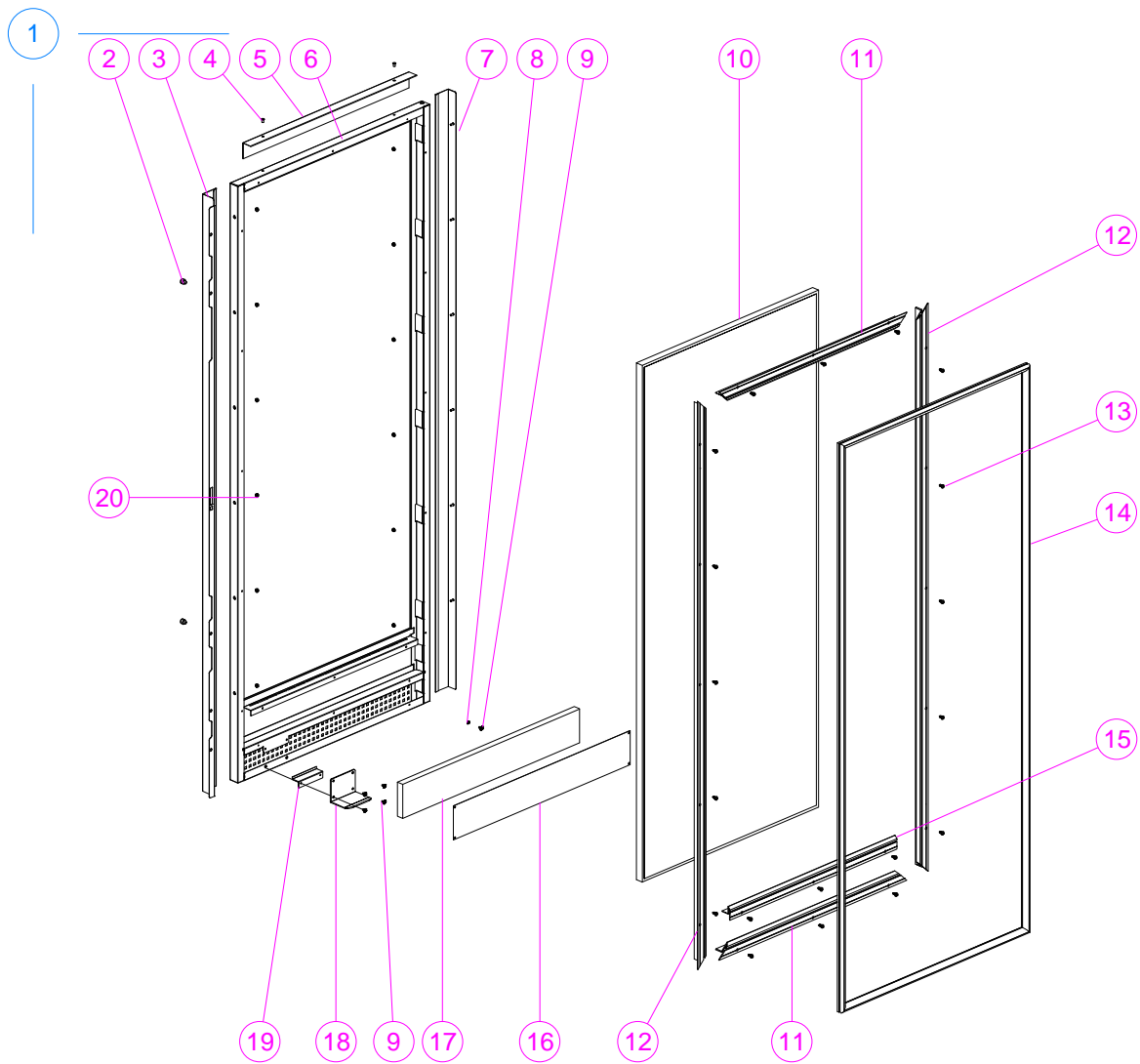
Vendo
SANDEN

SandenVendo Europe S.p.A. - Regione Cavallino,2 - 15030 Coniolo (AL) - Italy

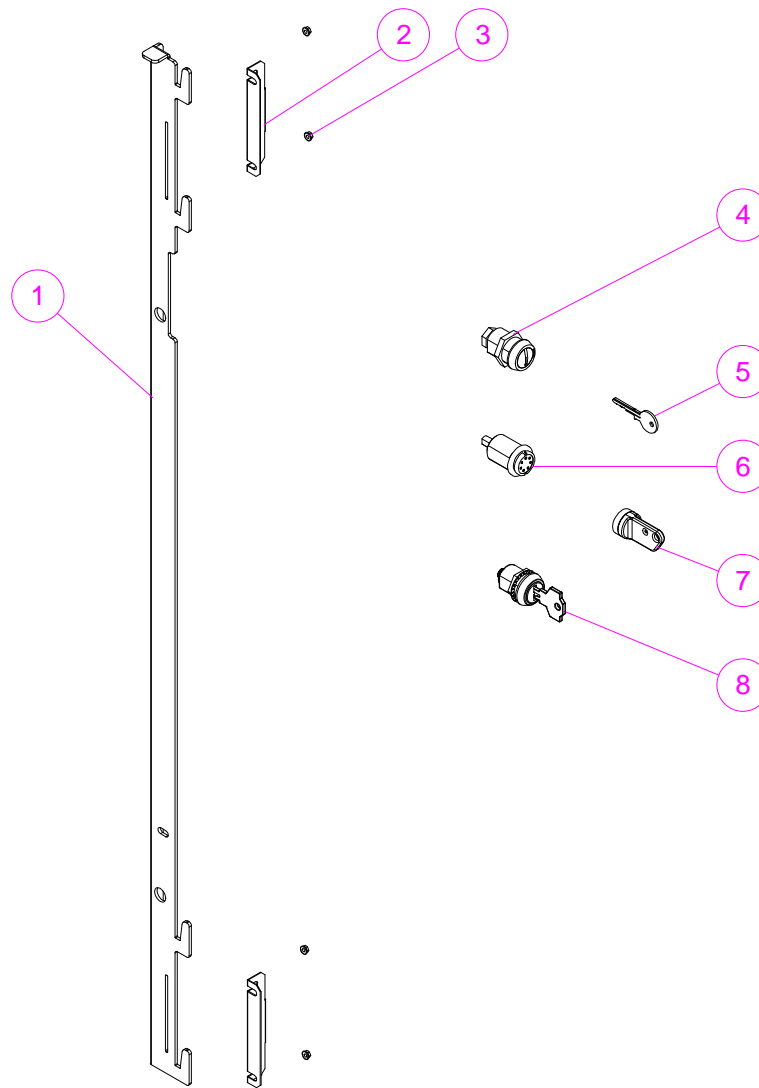
Tel. +39 0142.335119 - Fax +39 0142.562348 - E-mail: marketing@sandenvendo.it - Web: www.sandenvendo.com

Index

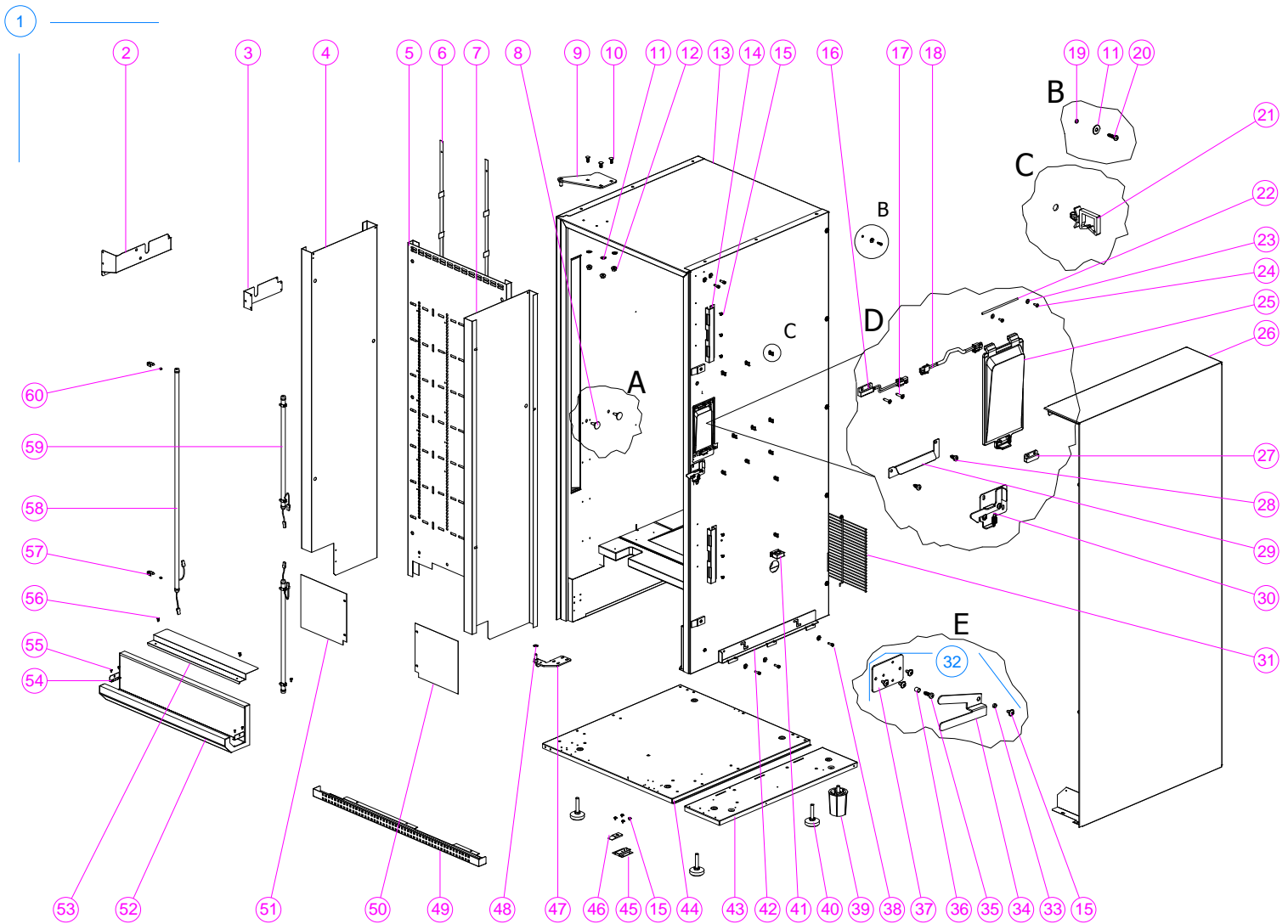
Contents	Page
Door	2
Lock	3
Cabinet	4 - 5 - 6
Control Panel Box	7
STD Coin Insert Panel	8 - 9
SCI Coin Insert Panel	10 - 11
Plug - Collar - Window	12
Control Panel	13
Drawer Unit	14 - 15
Prdouct Exit - Plastic FLAP	16 - 17
Plastic FLAP - Components	18 - 19
Prdouct Exit - Metal FLAP	20 - 21
Metal FLAP - Components	22 - 23
Tray	24 - 25
Mechanism	26
Y Unit Assy	27
X Movement	28 - 29
Bucket Assy	30
Box Transformer	31 - 32
Refrigerant Unit	33 - 34 - 35
CO2 Refrigerant Unit	36 - 37
Electrical diagram 1/2	38 - 39
Electrical diagram 2/2	40
Electrical diagram CO2	41 - 42
Coin Box	43
Various Kit	44
Revision	45



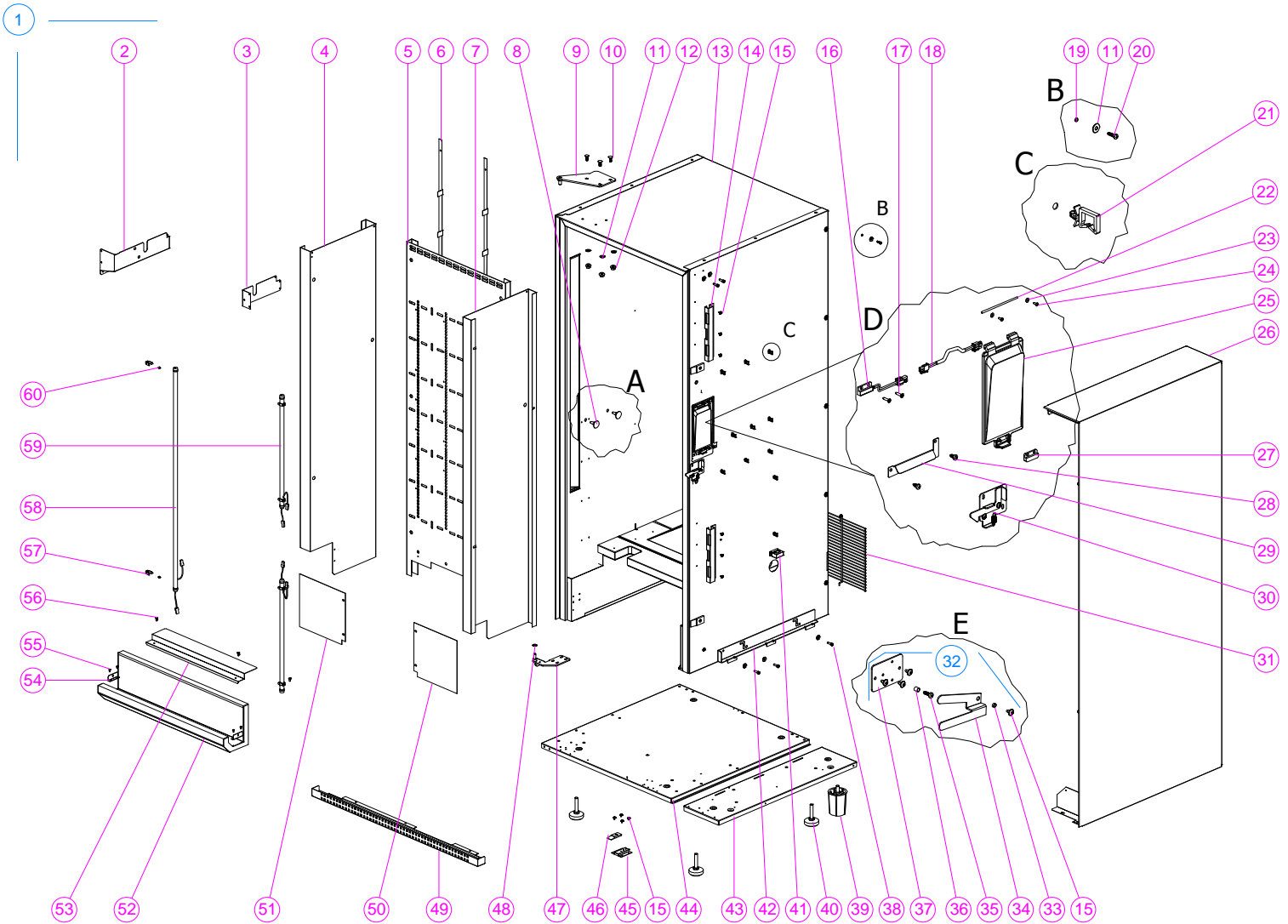
Pos	Code	Description	Serial Number Nota
1	143896/3	DM6 DOOR ASSY	
2	394693	ANTI-SHOCK RUBBER 15/615	
3	144520	RH DOOR PROFILE WELD ASSY	
4	390559	POP RIVET	
5	413330	UPPER - LOWER DOOR PROFILE	
6	143917	DV6 DOOR WELD ASSY	
7	144519	LH DOOR PROFILE WELD ASSY	
8	V801039	WASHER D.E. 4X8	
9	V800570	SCREW T1+4,8X9,5 S.POINT	
10	405796/9	GLASS DL6 1520x663x22	
11	404124/27	GLASS BOTTOM GASKET FRAME	
12	404124/29	LATERAL GASKET PROFILE	
13	V800566	TAPPING SCREW	
14	413420/4	DV6 DOOR GASKET	
15	404124/31	GLASS BOTTOM GASKET FRAME	
16	412793	DV6 REAR PANEL	
17	412794	INSULATING PANEL	
18	413698	LIFTING PLATE HOLDER	
19	413790	LOWER DOOR BRACKET	
20	398224/1	NUT, FLANGED 4MA MILLED	



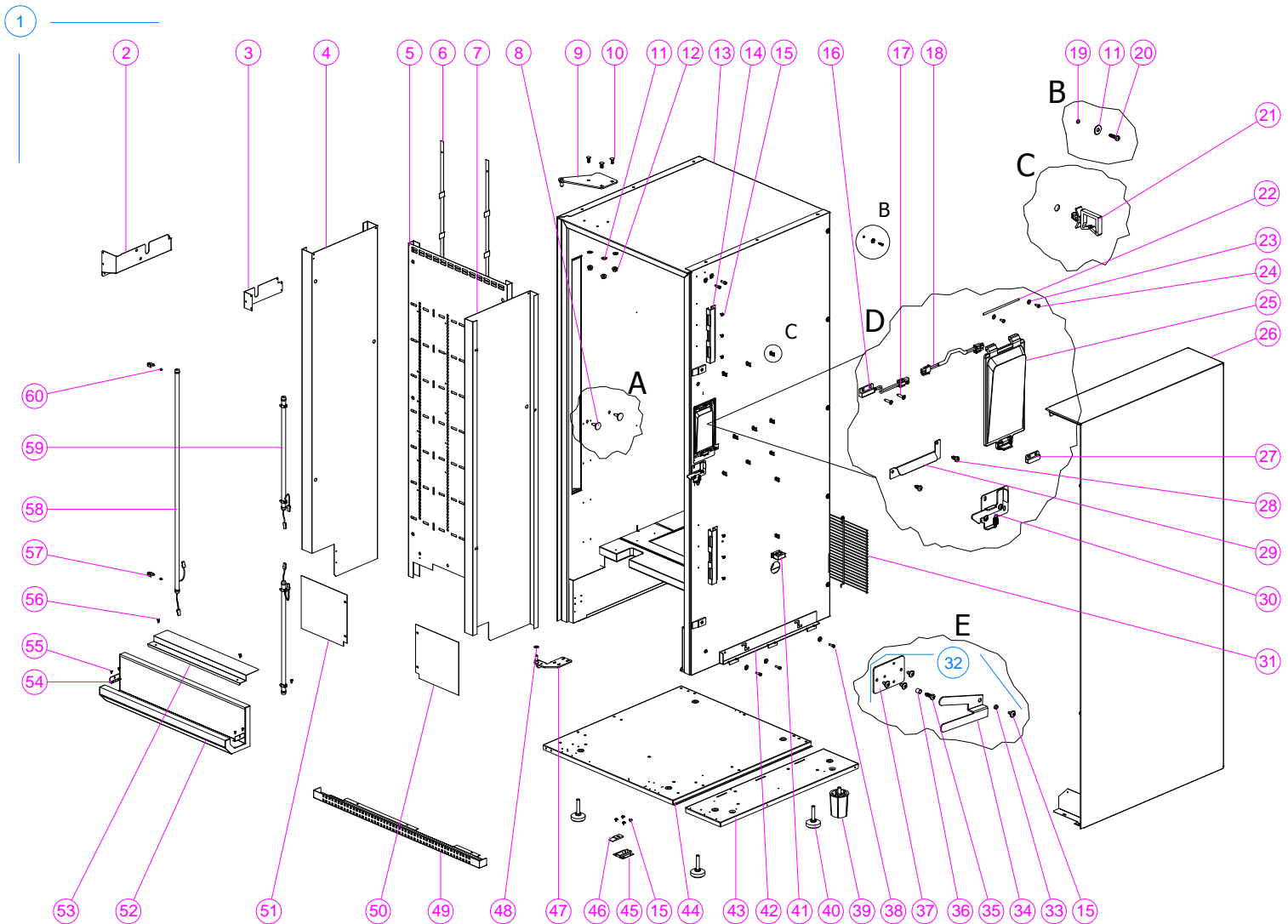
Pos	Code	Description	Serial Number Nota
1	412358	SLIDE ROD	
2	412071	SLIDE ROD RETAINER	
3	398224/1	NUT, FLANGED 4MA MILLED	
4	411746	LOCK RIELDA VENDO MOD.583	
5	408306	SILVER KEY AJSAND VENDO	Only with p/n 411746
6	412238	LOCK LC90RM1	
7	412239	KEY K5KEYM1	Only with p/n 412238
8	412383	LOCK G10B4KA1000 NUMBER 2001	
8	412383/1	LOCK G10B4KD DIFERENT NUMBER	
8	412383/2	LOCK G10B4KA CIF.12027	
8	412383/3	LOCK G10B4KA CIF.16260	
8	412383/4	LOCK G10B4KA CIF.22805	



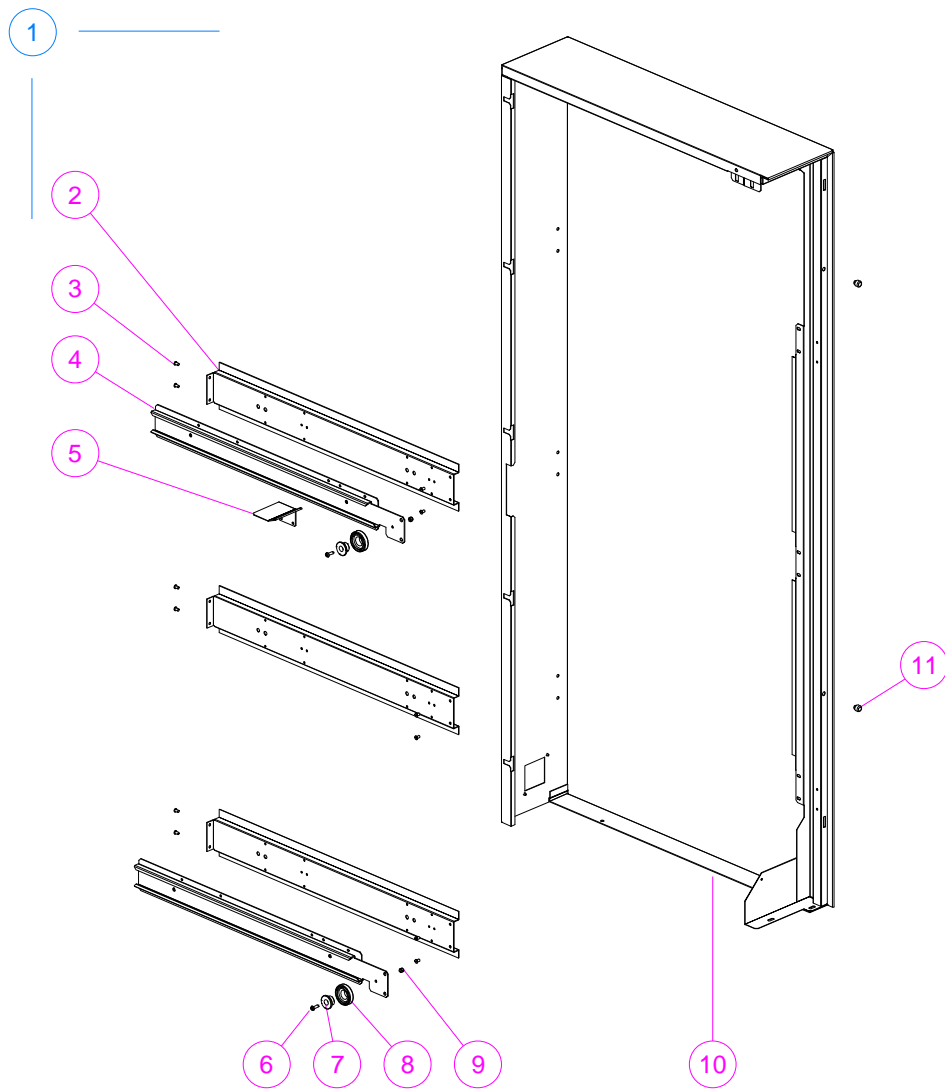
Pos	Code	Description	Serial Number Nota
1	143911/2	DM6 CABINET ASSY	
2	413441	LH COVER Y UNIT	
3	413440	RH COVER Y UNIT	
4	408413	LH SIDE	
5	408560	AIR CHANNEL	
6	408103	SPACER AIR CHANNEL	
7	408414	RH SIDE	
8	404306	CANOE CLIPS	
9	143156	TOP HINGE WELD ASSY	
10	386237/1	SCREW TTQST 6MAX20	
11	38148	FLAT WASHER 6X18X1.5	
12	398224/3	NUT, FLANGED 6MA MILLED	
13	143913/1	DC6 CABINET WELD ASSY	
14	411702	LOCK CLOSE BRKT	
15	V800570	SCREW T1+4,8X9,5 S.POINT	
16	138076	WIRED SENSOR	
17	393394/1	SCREW TSP+ 3,5x16	
18	141077	FLAP DOOR MICRO-SWITCH HARNESS	
19	386067/2	SPACER	
20	392337	SCREW 4,8x22	
21	408828	CABLE FASTNER	



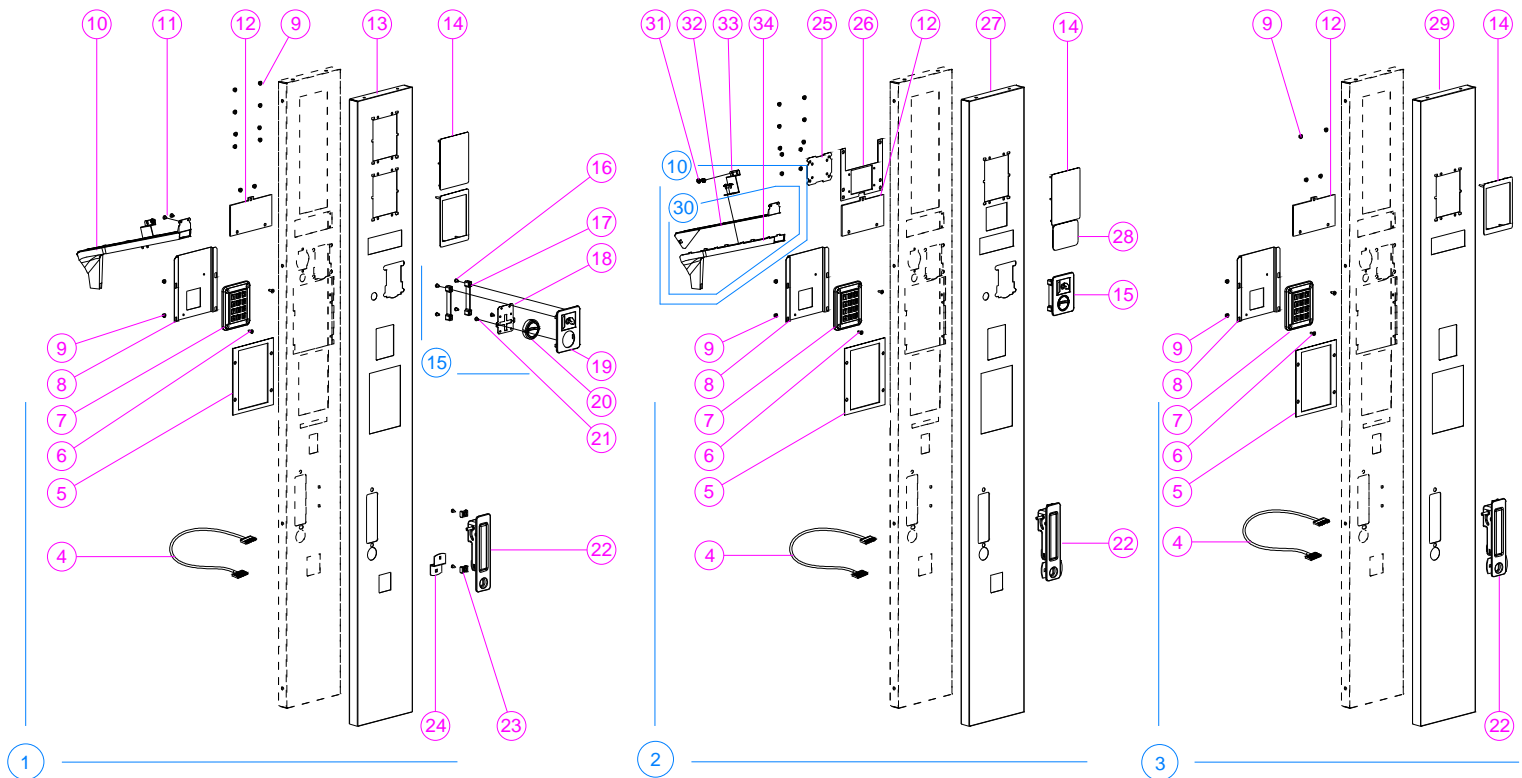
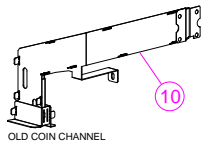
Pos	Code	Description	Serial Number Nota
22	386662/15	ROD Ø3	
23	V801440	WASHER	
24	381603/14	SCREW TC+ 2,9X9,5 LARGE HEAD	
25	143026	DELIVERY EYELET DOOR ASSEMBLY	p/n 408907 + p/n 407974
25	408907	PRODUCT EYELET DOOR	
26		Control Panel Box	Pag. 7
27	407974	MAGNET P6250000 (CELDUC)	
28	V800566	TAPPING SCREW	
29	411309	CHUTE	
30	143813	WINDOW CLOSURE ASSEMBLY	
31	137779/12	BACK PROTECTION GSF	Not included in the assembly
32	144413	STOP LEVER DRAWER ASSY	
33	386067/5	SPACER 5X7X2.5	
34	413567	STOP LEVER DRAWER	
35	V800874	SCREW T1+4,8X16 S.POINT	
36	386067/1	SPACER IRON 5x7x12.5	
37	410129	PLATE FOR HOOK CLOSURE	
38	412348	SCREW TCEI 6MAX20	
39	403897	LEVELLING SCREW M12 (BIG FOOT)	Not included in the assembly
40	386804	LEVELLING SCREW	
41	394529	CABLE FIX OBO Ø18-30	



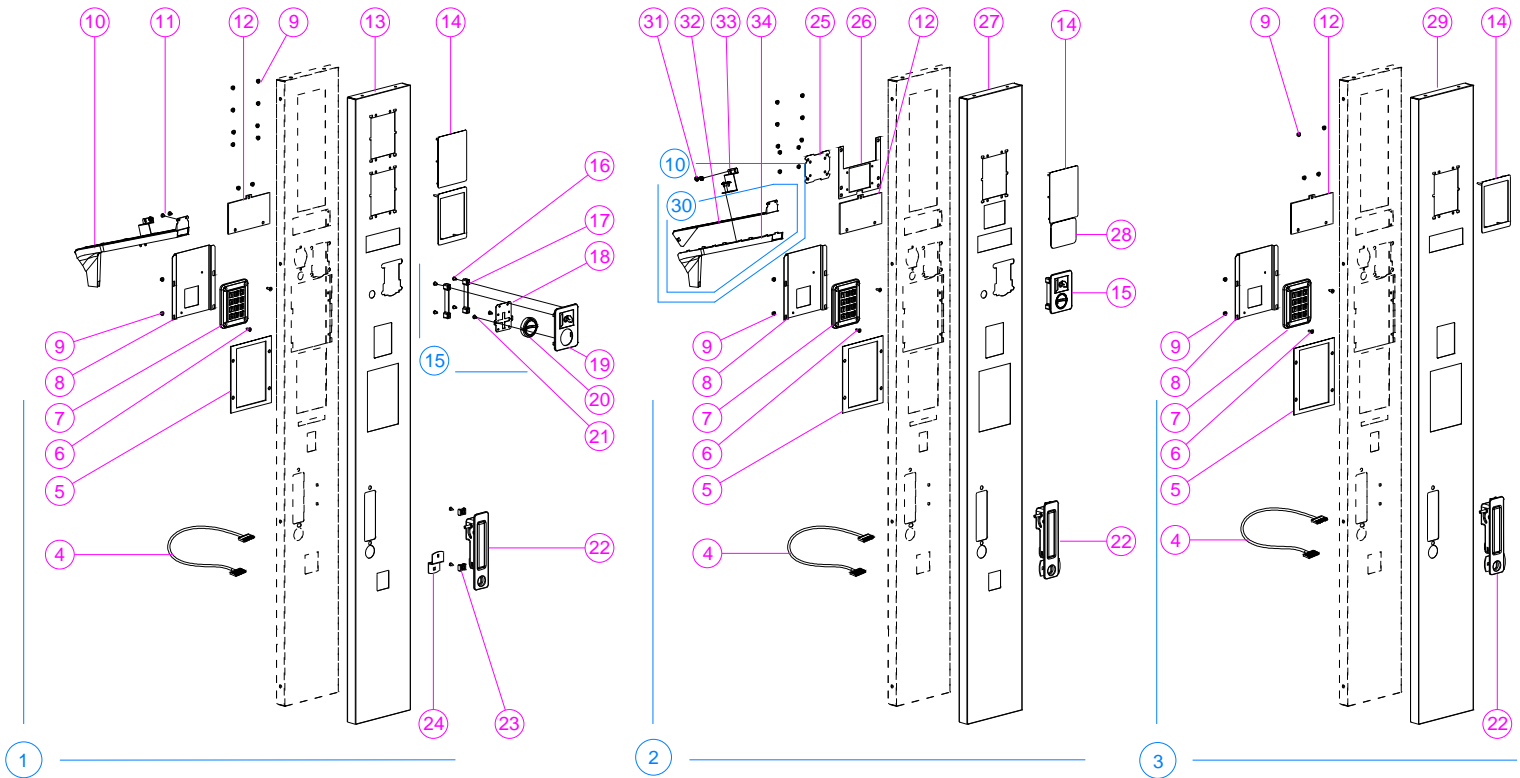
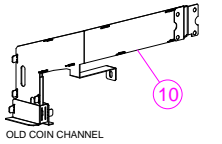
Pos	Code	Description	Serial Number Nota
42	410739	BASE BLOCKING BRACKET	Not included in the assembly
43	144449	DRAWER CABINET BASE WELD ASSY	Not included in the assembly
44	143600/1	DC6 CABINET BASE WELD ASSY	
45	412762	CHUTE LIFT DOOR SUPPORT	
46	396124	PLASTIC CHUTE	
47	143902	BOTTOM HINGE WELD ASSY	
48	347082	WASHER	
49	412771	LOWER DOOR CARTER	Not included in the assembly
50	413808	RH REFRIGERANT UNIT COVER	
51	413809	LH REFRIGERANT UNIT COVER	
52	143756/1	BULKHEAD CRADLE FOAMING ASSY	
53	407921	REFRIGERANT UNIT COVER	
54	406623/1	ELEVATOR FASTENER	
55	V800622	TAPPING SCREW	
56	390139	SCREW TTFR+ 4,2X13	
57	402698	CLIP Ø16	
58	407742/2	LED TUBE 986mm	
59	407742/3	LED TUBE 501mm	
60	392750	SCREW TC+ 4,2X 6,5	



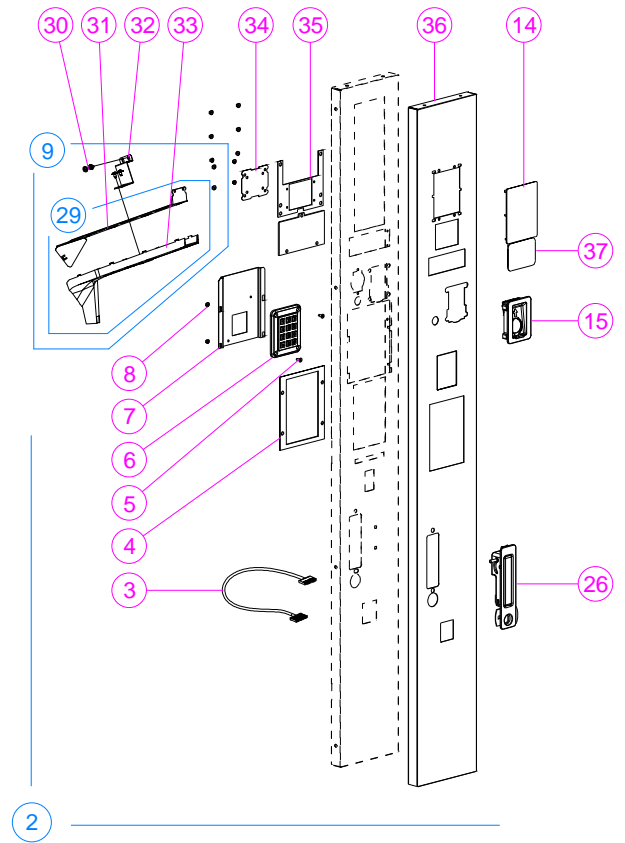
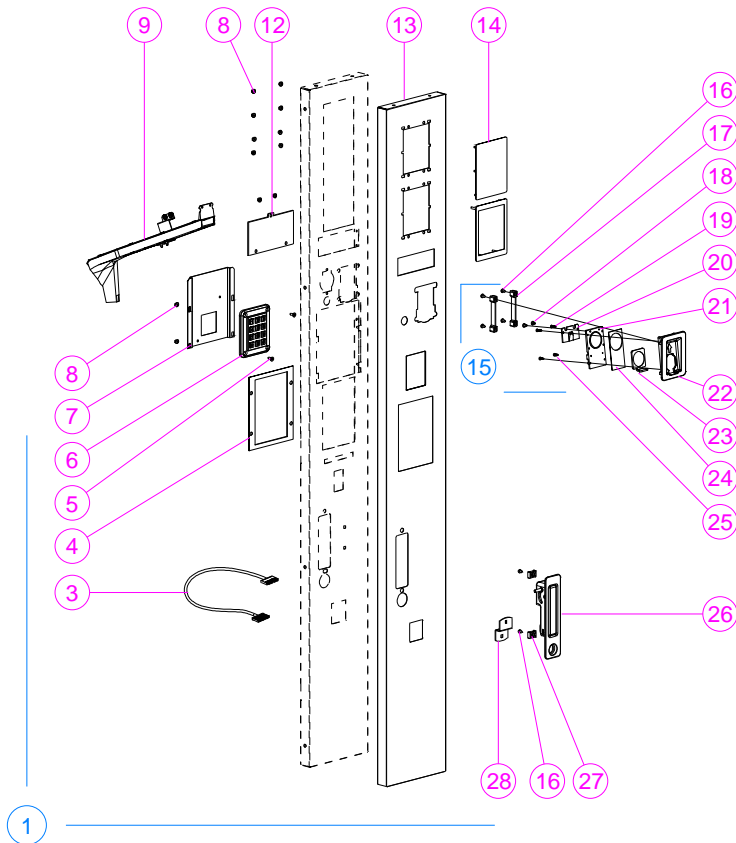
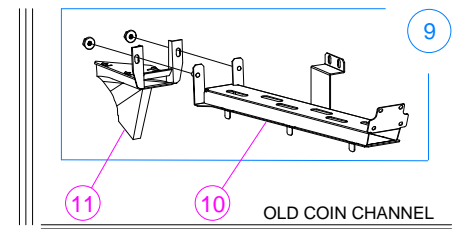
Pos	Code	Description	Serial Number Nota
1	143198	EXTERNAL CABINET ASSEMBLY	
2	407981	HORIZONTAL INNER REINFORCE	
3	390559	POP RIVET	
4	143438	SLIDE-WAY DRAWER ASSEMBLY	
5	411707/2	SWITCH ACTUATOR	
6	381290/2	SCREW TC+ 5MAX15	
7	411207	SCROLL WHEEL INSERT	
8	411660	WHEEL DRAWER SCROLL	
9	390058/2	SELF-BLOCKING NUT 5MA	
10	143305	EXTERNAL CABINET WELD ASSEMBLY	
11	394693	ANTI-SHOCK RUBBER 15/615	



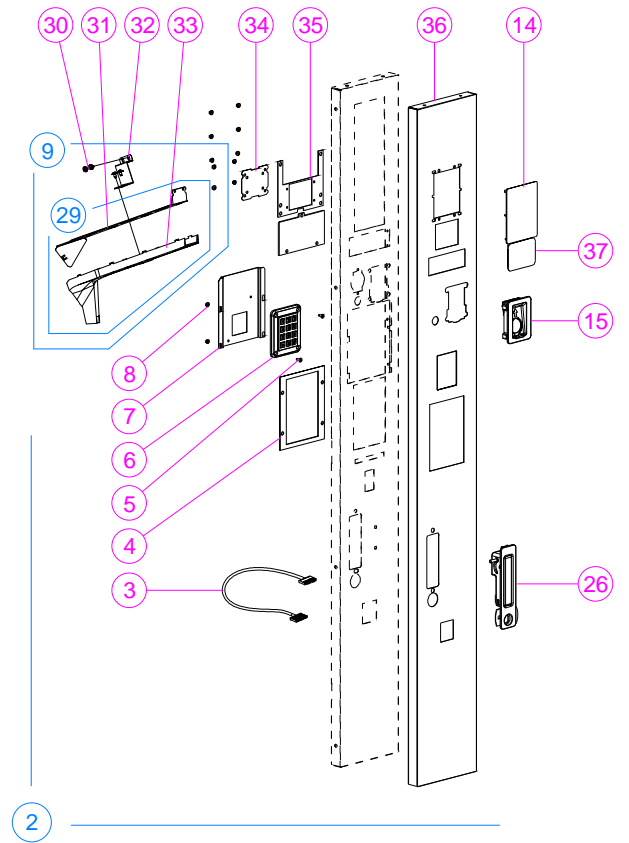
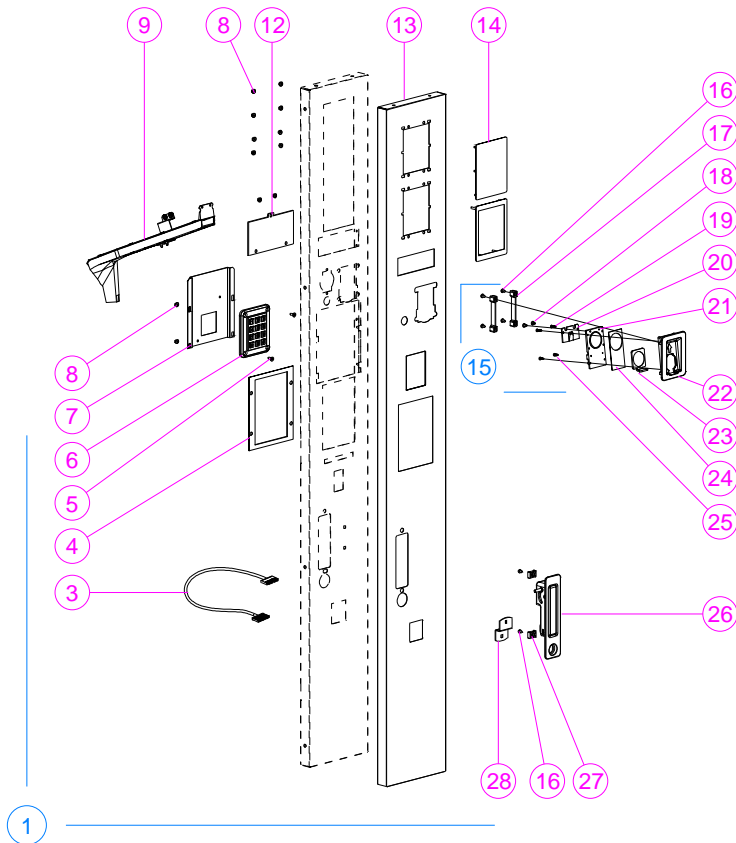
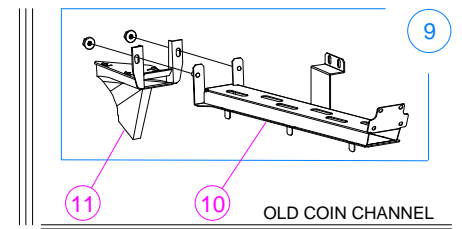
Pos	Code	Description	Serial Number Nota
1	144517	UT COIN INSERT STD-KEYBOARD FMP PLUG-PLUG	With 2 Plug p/n 138859
1	144517/1	UV COIN INSERT STD PLUG-WINDOW	With 1 Plug p/n 138859 and 1 Window p/n 144341
1	144517/2	UC COIN INSERT STD PLUG-FRAME	With 1 Plug p/n 138859 and 1 Collar p/n 139515
2	144517/3	2U COIN INSERT STD PLUG-AGE READER	With 1 Plug p/n 138859
3	144517/4	AL SAUDI ARABIA CONTROL PANEL	With 1 Collar p/n 139515
4	143009/1	SVE01-KEYBOARD HARNESS	
5	413666	THICKNESS FOR DELIVERY EYELET TRIM	
6	404622/1	SCREW TSP+ 4,8x13	
7	412731	EOZ KEYBOARD	
8	412411	TELEPHONE KEYBOARD SUPPORT	
9	398224/1	NUT, FLANGED 4MA MILLED	
10	143664	COINS CHANNEL ASSY	000000000 - 2615005700
10	142095	COINS CHANNEL ASSY	2616006543 - ZZZZZZZZZZ Check if you have the last revision of the p/n 412392
11	V800569	SCREW TC+ 4,8x6,5	
12	413598/1	DISPLAY GLASS	
13	413764/3	DM EXTERIOR CONTROL PANEL	
14		Plug - Collar - Window	Pag. 12
15	143672	STD COIN INSERT ASSY	
16	V800611	SCREW 4,2x9,5	
17	412476	DOUBLE FIXING SUPPORT	
18	412392	COIN INSERT FLANGE	



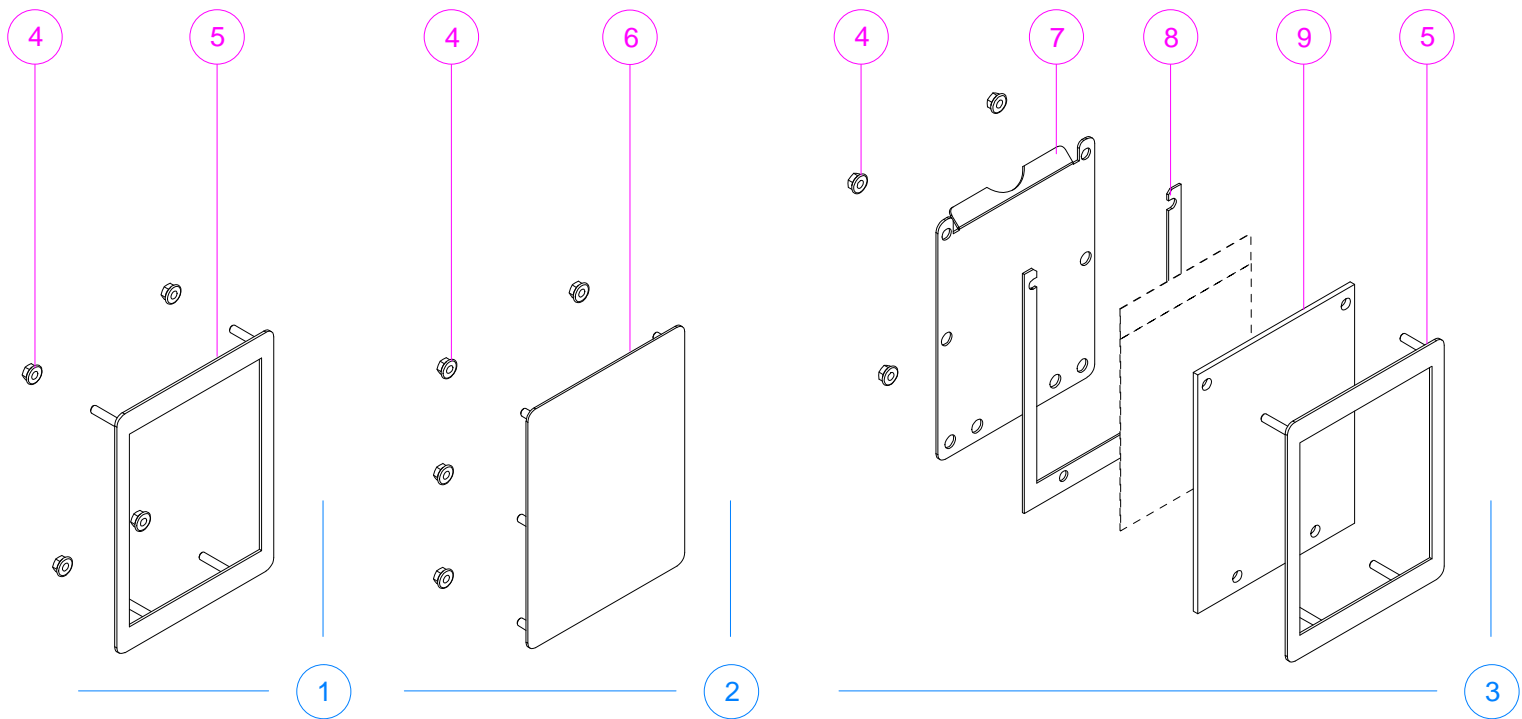
Pos	Code	Description	Serial Number Nota
19	412322	STD COIN INSERT	
20	412213	STD COIN INSERT MODULE	
21	V800565	SCREW T1+4,2X6,5 S.POINT	
22	143650	CLOSURE DOOR ASSY	
23	412476/1	SINGLE FIXING SUPPORT	Included in the p/n 143650
24	412273	LOCK LEVER	Included in the p/n 143650
25	407997	REAR COVER HOLE READER	
26	410163/1	DM/SM AGE READER PLATE	
27	413764/4	AGE READER DM EXTERIOR CONTROL PANEL	
28	141253	PLUG WELD ASSY CARD READER	Only with p/n 144517/3
29	413764/5	DM SAUDI ARABIA EXTERIOR CONTROL PANEL	
30	142034	PLASTIC COINS CHANNEL ASSY	P/N 413866 + P/N 413877
31	V800570	SCREW T1+4,8X9,5 S.POINT	
32	413877	COIN CHUTE COVER	Included in the p/n 142034
33	412514	COINS CHANNEL BRAKET	
34	413866	COIN CHANNEL	Included in the p/n 142034



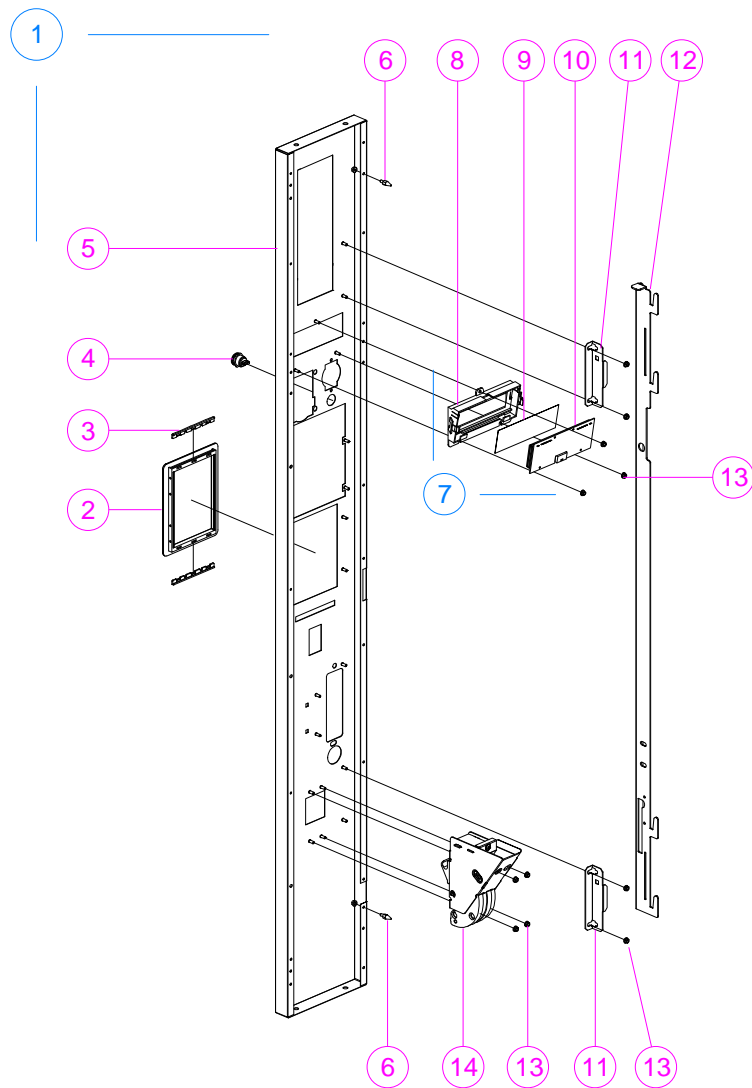
Pos	Code	Description	Serial Number Nota
1	144518	ST COIN INSERT SCI-KEYBOARD FMP PLUG-PLUG	With 2 Plug p/n 138859
1	144518/1	SV COIN INSERT SCI-KEYBOARD FMP PLUG-WINDOW	With 1 Plug p/n 138859 and 1 Window p/n 144341
1	144518/2	SB COIN INSERT SCI-KEYBOARD FMP PLUG-FRAME	With 1 Plug p/n 138859 and 1 Collar p/n 139515
2	144518/3	2T COIN INSERT SCI-KEYBOARD FMP PLUG-AGE READER	With 1 Plug p/n 138859
3	143009/1	SVE01-KEYBOARD HARNESS	
4	413666	THICKNESS FOR DELIVERY EYELET TRIM	
5	404622/1	SCREW TSP+ 4,8x13	
6	412731	EOZ KEYBOARD	
7	412411	TELEPHONE KEYBOARD SUPPORT	
8	398224/1	NUT, FLANGED 4MA MILLED	
9	143763	COINS CHANNEL ASSY	0000000000 - 2615005700
9	142095	COINS CHANNEL ASSY	2616006543 - zzzzzzzzzz
10	143765	COINS CHANNEL ASSY	0000000000 - 2615005700
11	398224/2	NUT M5	0000000000 - 2615005700
12	413598/1	DISPLAY GLASS	
13	413764/3	DM EXTERIOR CONTROL PANEL	
14		Plug - Collar - Window	Pag. 12
15	143597	SLIDE COIN INSERT ASSY	
16	V800611	SCREW 4,2x9,5	
17	412476	DOUBLE FIXING SUPPORT	
18	V800565	SCREW T1+4,2X6,5 S.POINT	



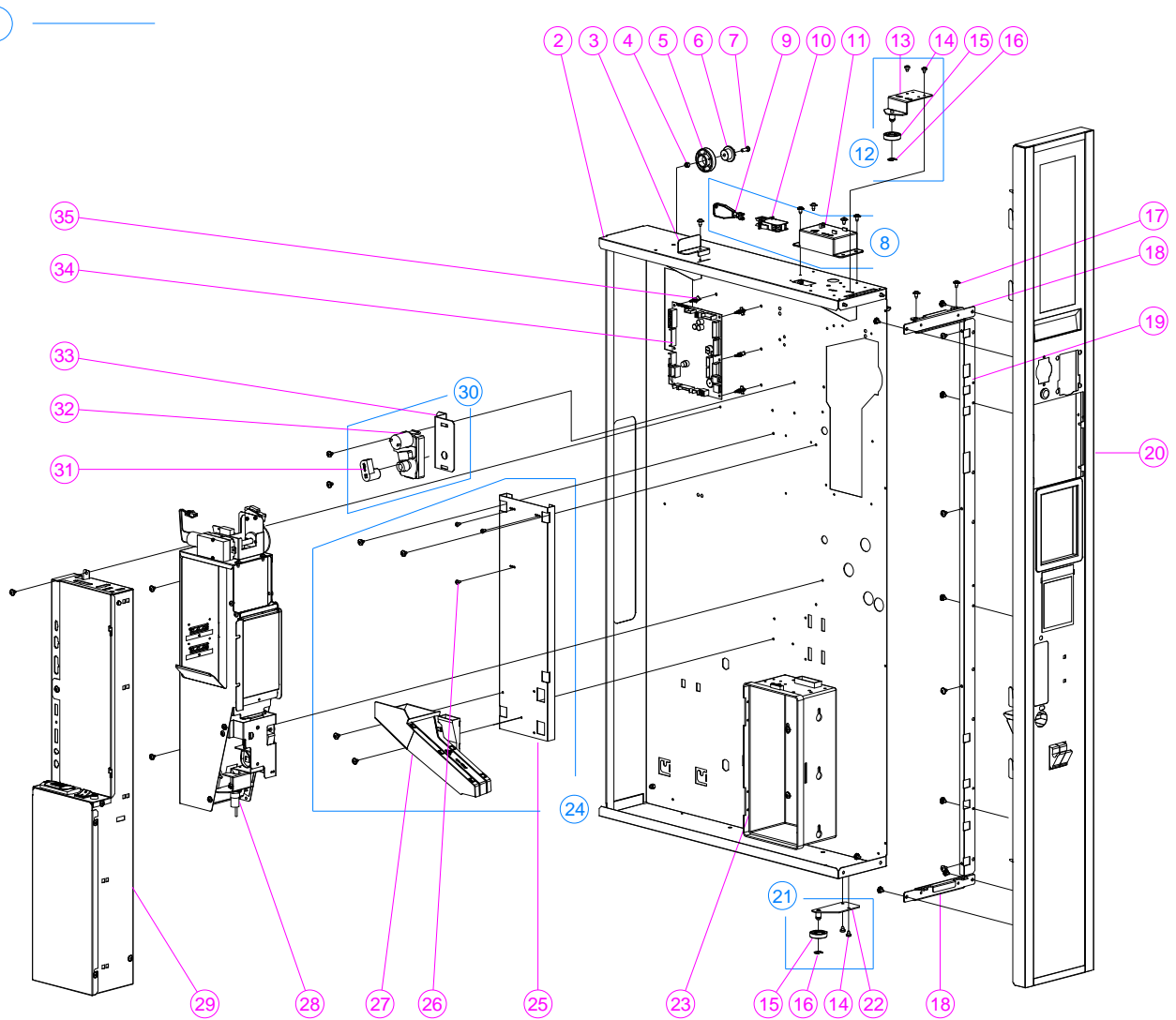
Pos	Code	Description	Serial Number Nota
19	402902	SCREW TL PZ CIL 3.5X12	
20	412324	COINS DEFLECTOR	
21	412323	SLIDE REAR PLATE	
22	412212	SLIDE COIN INSERT	
23	412326	DRAFT COINS INSERT	
24	412325	SCROLLING PLATE	
25	402902/1	SCREW TL PZ CIL 3.5X9	
26	143650	CLOSURE DOOR ASSY	
27	412476/1	SINGLE FIXING SUPPORT	
28	412273	LOCK LEVER	
29	142034	PLASTIC COINS CHANNEL ASSY	P/N 413866 + P/N 413877
30	V800570	SCREW T1+4,8X9,5 S.POINT	
31	413877	COIN CHUTE COVER	Included in the p/n 142034
32	412514	COINS CHANNEL BRAKET	
33	413866	COIN CHANNEL	Included in the p/n 142034
34	407997	REAR COVER HOLE READER	
35	410163/1	DM/SM AGE READER PLATE	
36	413764/4	AGE READER DM EXTERIOR CONTROL PANEL	
37	141253	PLUG WELD ASSY CARD READER	



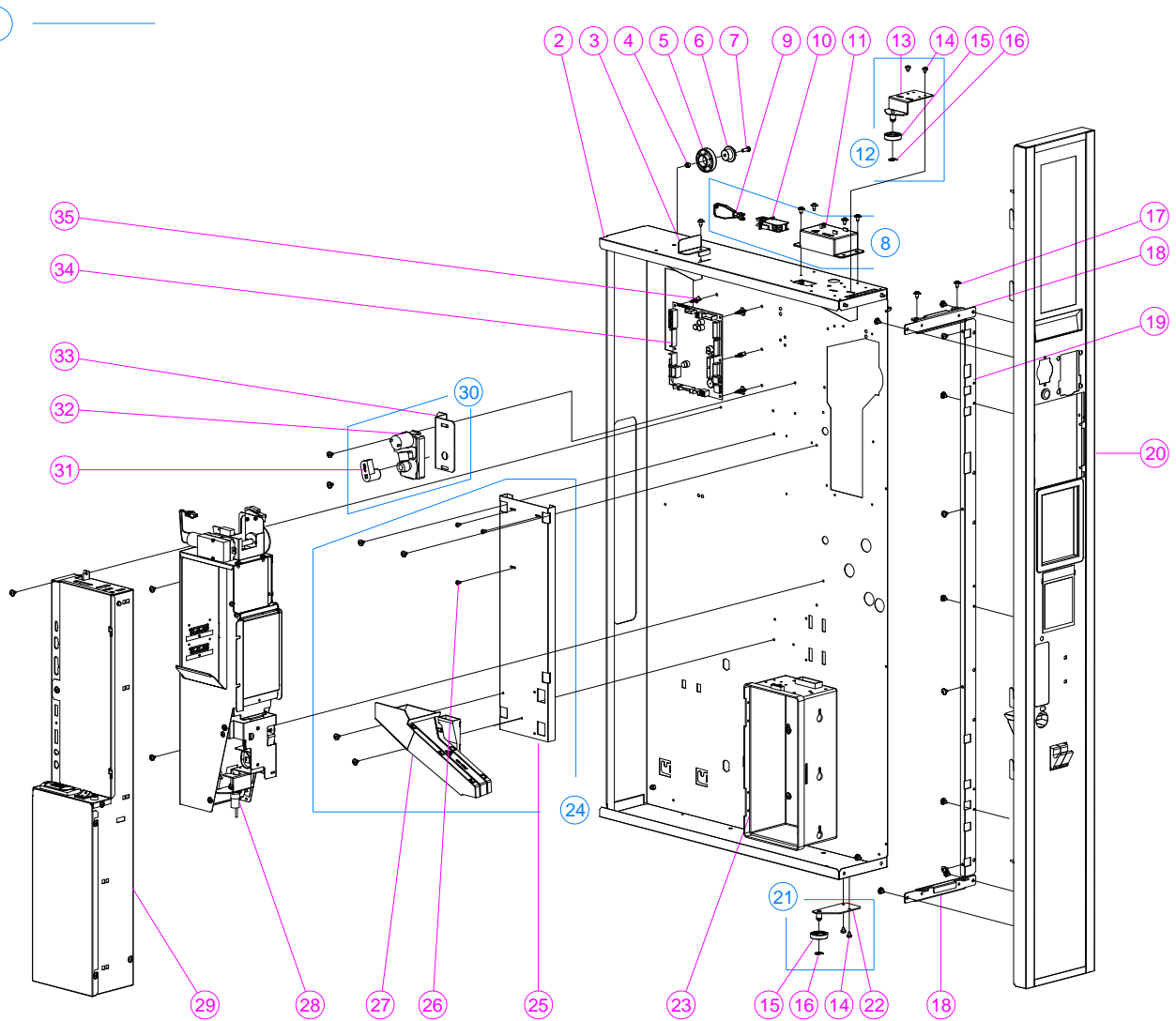
Pos	Code	Description	Serial Number Nota
1	141997	KIT COLLAR DESIGN LINE	
2	141997/1	KIT PLUG DESIGN LINE	
3	141997/2	KIT WINDOW DESIGN LINE	
4	398224/1	NUT, FLANGED 4MA MILLED	
5	139515	WELDED ASSY COLLAR CVB	
6	138859	WELDED ASSY HOLE COVER CVB	
7	399049	REAR COVER	
8	413611	GUIDE	
9	413609	WINDOW PANEL	



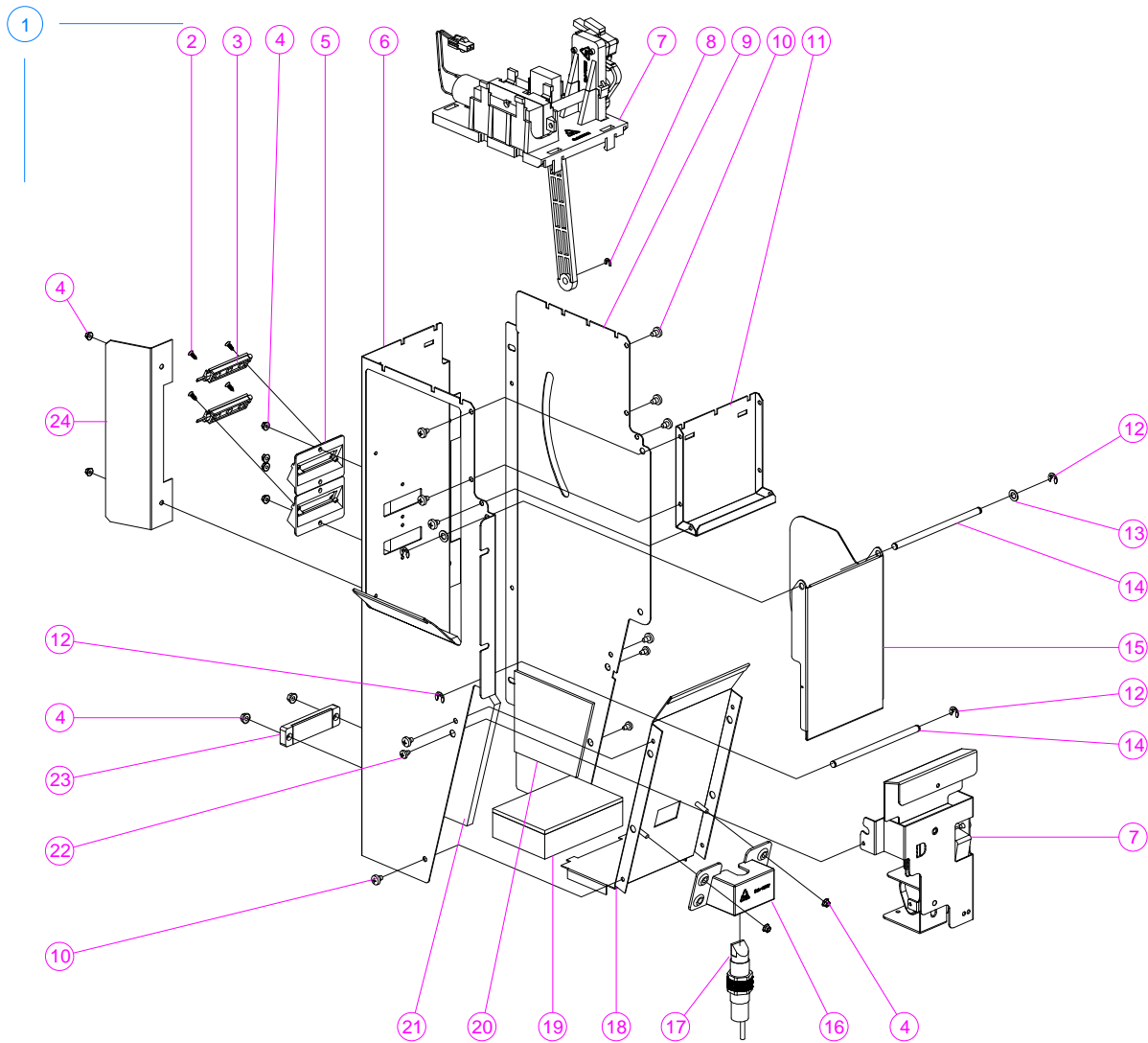
Pos	Code	Description	Serial Number Nota
1	144340/4	DM FRONT DRAWER ASSY	
2	143458/1	DELIVERY EYELET FRAME ASSY	
3	411971	HOOKING DELIVERY EYELET FRAME	
4	408964	PUSH BUTTON EAO	
5	143905/3	CONTROL PANEL WELD ASSY	
6	411152	PIN CENTERING DRAWER	
7	143116	DISPLAY ASSY	
8	411467	SUPPORT, DISPLAY	
9	411519	BLUE DISPLAY GLASS	
10	411490	DISPLAY VFD 256X64	
11	412071	SLIDE ROD RETAINER	
12	412358	SLIDE ROD	
13	398224/1	NUT, FLANGED 4MA MILLED	
14	137126	COIN RETURN ASSY	



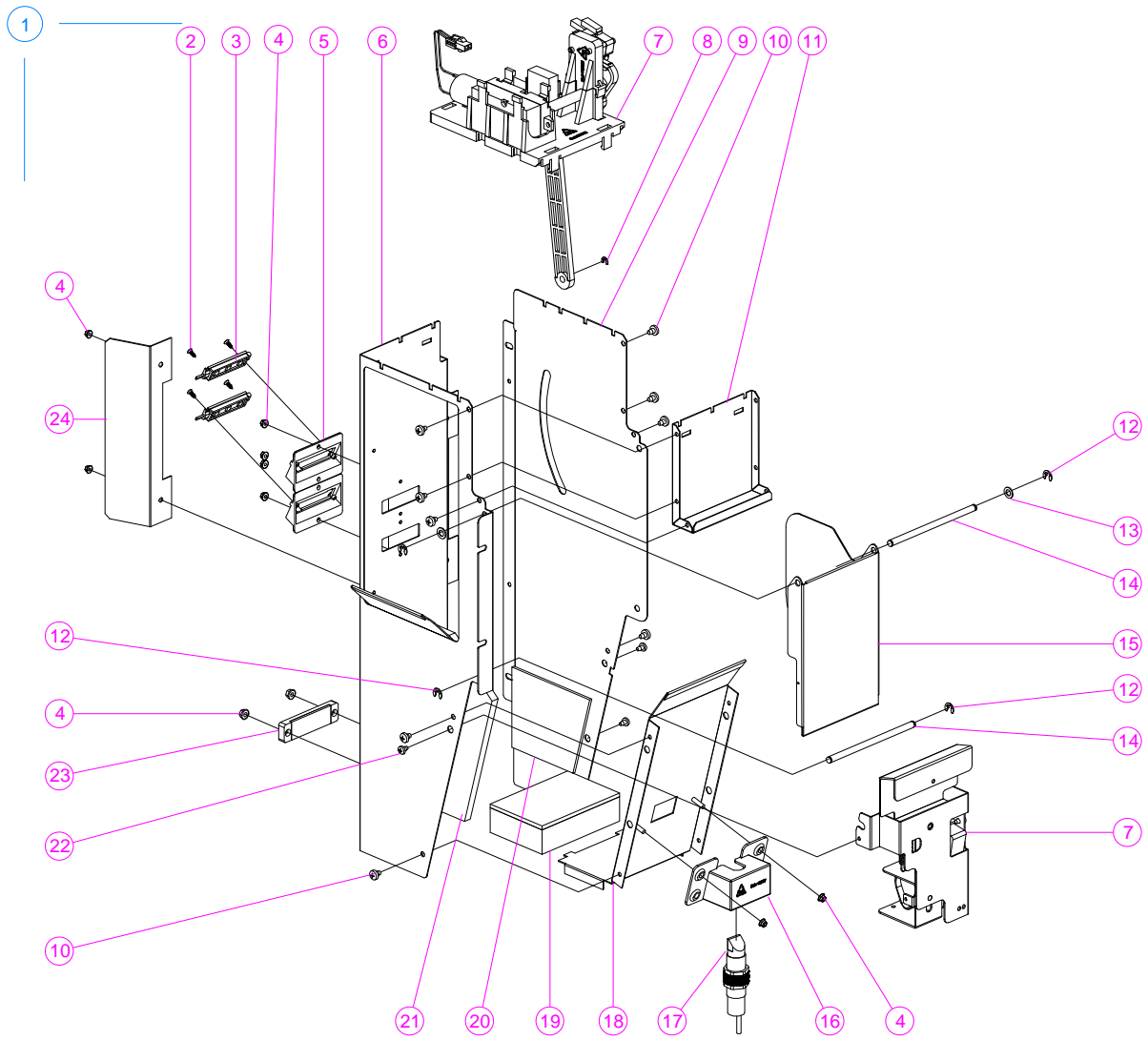
Pos	Code	Description	Serial Number Nota
1	143906/1	DM DRAWER ASSEMBLY	
2	144168	DRAWER WELD ASSEMBLY	
3	413221	DRAWER RETAINER	
4	390058/2	SELF-BLOCKING NUT 5MA	
5	411660	WHEEL DRAWER SCROLL	
6	411207	SCROLL WHEEL INSERT	
7	381290/2	SCREW TC+ 5MAX15	
8	144260	MICRO DRAWER ASSY	
9	412370	POWER KEY	
10	393220	SWITCH XTD22	
11	413095	SWITCH BOX COVER	0000000000 - 2613003010
11	410696	PLASTIC SWITCH BOX COVER	2614003627 - ZZZZZZZZZZ
12	143725	CENTERING WHEEL DOOR ASSY	
13	143724	RIVETED WHEEL SUPPORT	
14	V800569	SCREW TC+ 4,8x6,5	
15	392308	WHEEL	
16	381442/1	SEEGER Ø8	
17	V800570	SCREW T1+4,8X9,5 S.POINT	
18	411957	REINFORGE DRAWER	
19	411961	FRONT DRAWER SUPPORT	
20		Control Panel	



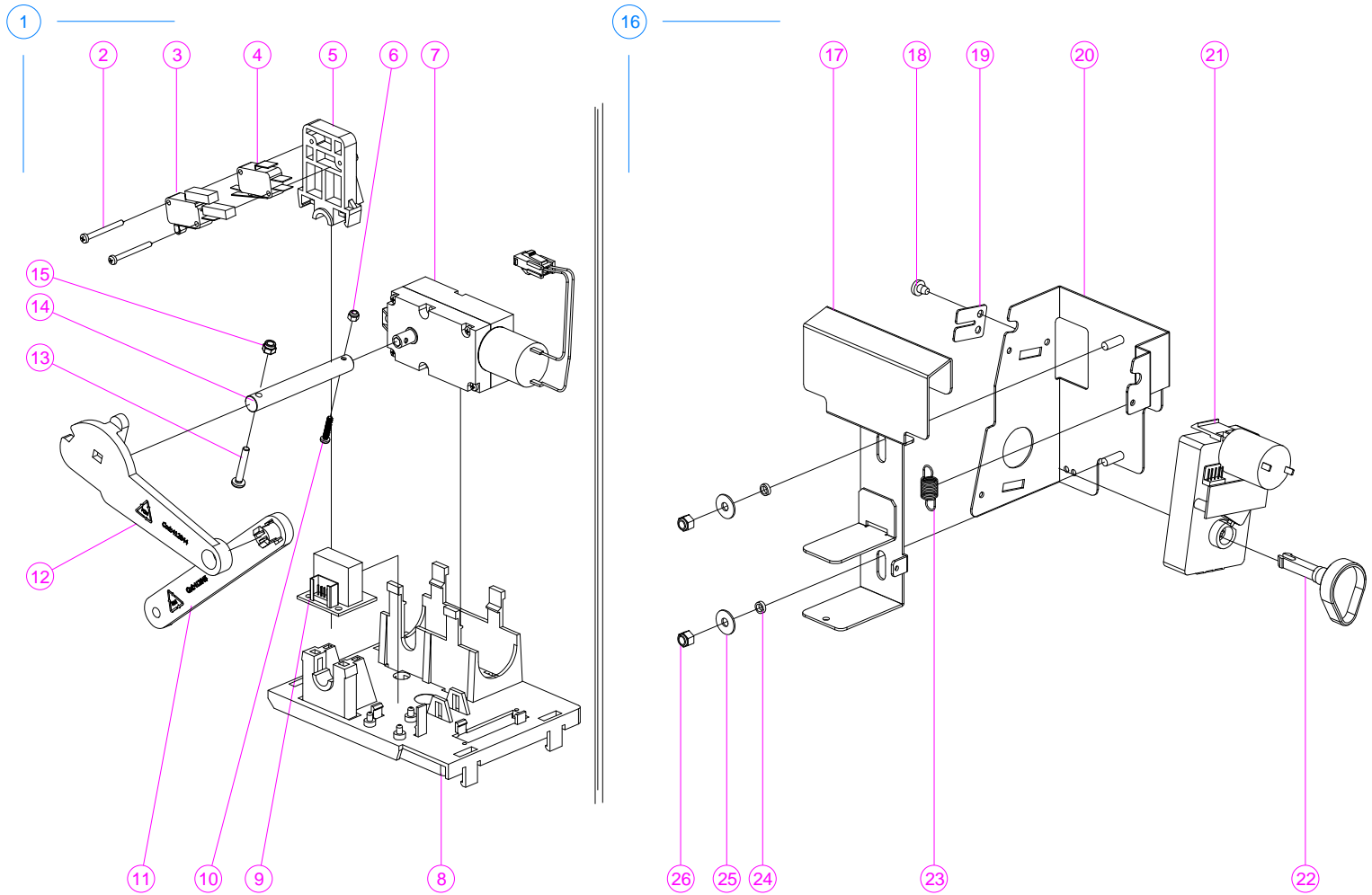
Pos	Code	Description	Serial Number Nota
21	140406	CENTERING WHEEL DOOR ASSY	
22	140407	RIVETED WHEEL SUPPORT	
23	400771	PLASTIC BOX	
24	141356	COINAGE SUPPORT ASSY	
25	407690	COIN BOX SUPPORT	
26	V800611	SCREW 4,2x9,5	
27	142053	COIN RETURN CHANNEL ASSY (in plastic)	
28		Prduct Exit - Metal FLAP	Pag. 20 - 21
29		Box Transformer	Pag. 31 - 32, Not included in the assembly
30	143207	COINS RETURN MOTOR ASSY	
31	411352	MONEY RETURN CAM	
32	411892	FIBER MOTOR	
33	411052	COINS RETURN MOTOR SUPPORT	
34	411141	BOARD SVE01	
35	386348	SUPPORT	



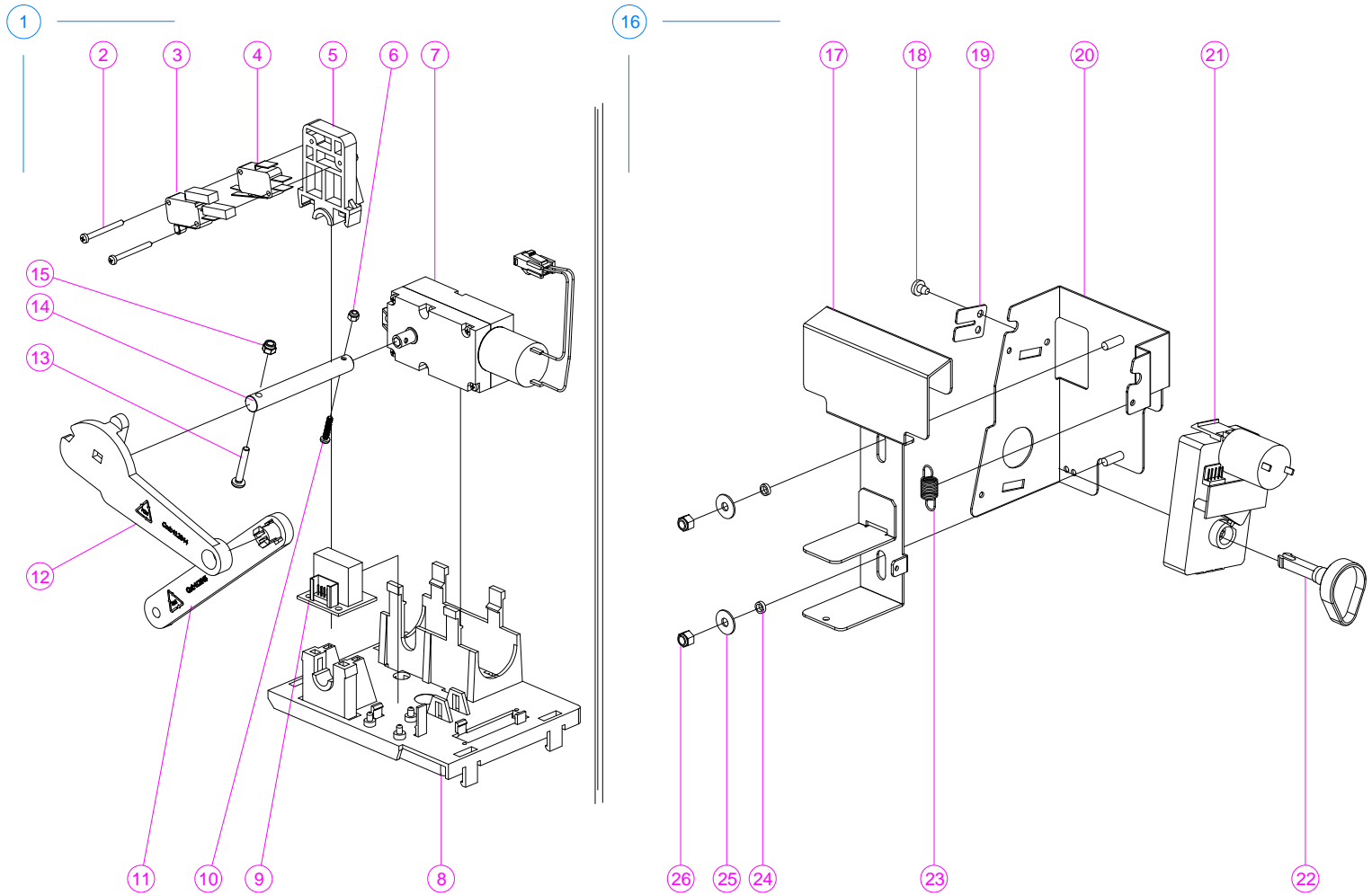
Pos	Code	Description	Serial Number Nota
1	142393	DL-DV-DM FLAP ASSY	2614003627 - ZZZZZZZZZZ
2	381603/5	SCREW TSP+ 2,9X9,5	
3	408035	LED BOARD	
4	398224	NUT, FLANGED 3MA MILLED	
5	412664	FLAP LED SUPPORT	
6	142394	LH SIDE FLAP RIVET ASSY	
7		Plastic FLAP - Components	Pag. 18 - 19
8	381442/2	SEEGER Ø4	
9	409299	FLAP CASING RH	
10	V800569	SCREW TC+ 4,8x6,5	
11	412825	FRONT FLAP	
12	381442/5	SEEGER	
13	411954	DOOR SPACER FLAP	
14	411766	DOOR ROTATION PIN	
15	143321	FRONT DOOR DRUM RIVET ASSY	
16	408437	PHOTOCELL SUPPORT	
17	408174	FAR/BN-2A MD PHOTOCELL	
18	143717	FRONT SUPPORT FLAP RIVET ASSY	
19	413125	FLAP BOTTOM	
20	413130	FLAP RUBBER SPONGE	
21	413126	FLAP RUBBER SPONGE	



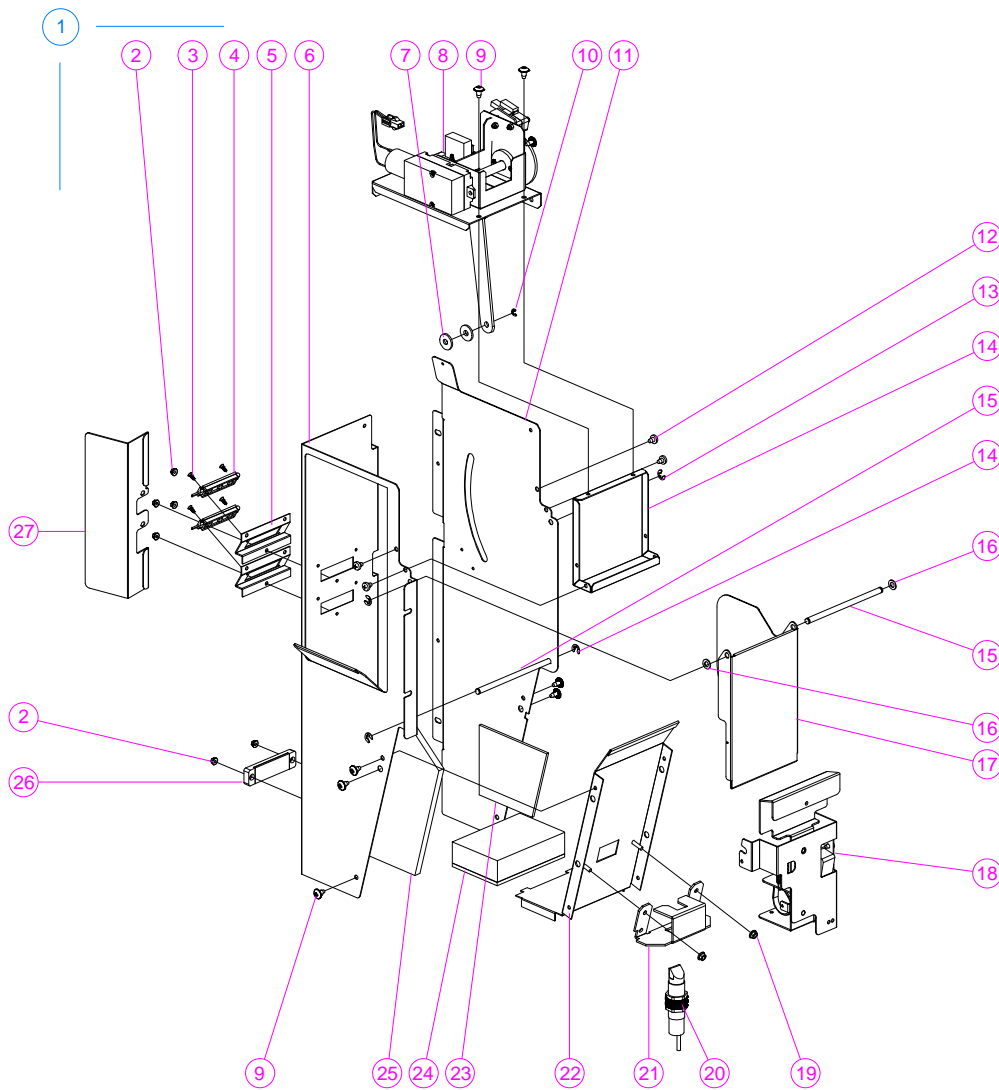
Pos	Code	Description	Serial Number Nota
22	V800565	SCREW T1+4,2X6,5 S.POINT	
23	408175	REFLECTOR RL 112G MD	
24	410254/1	COINAGE BUTTONS ANTIVANDALISM	



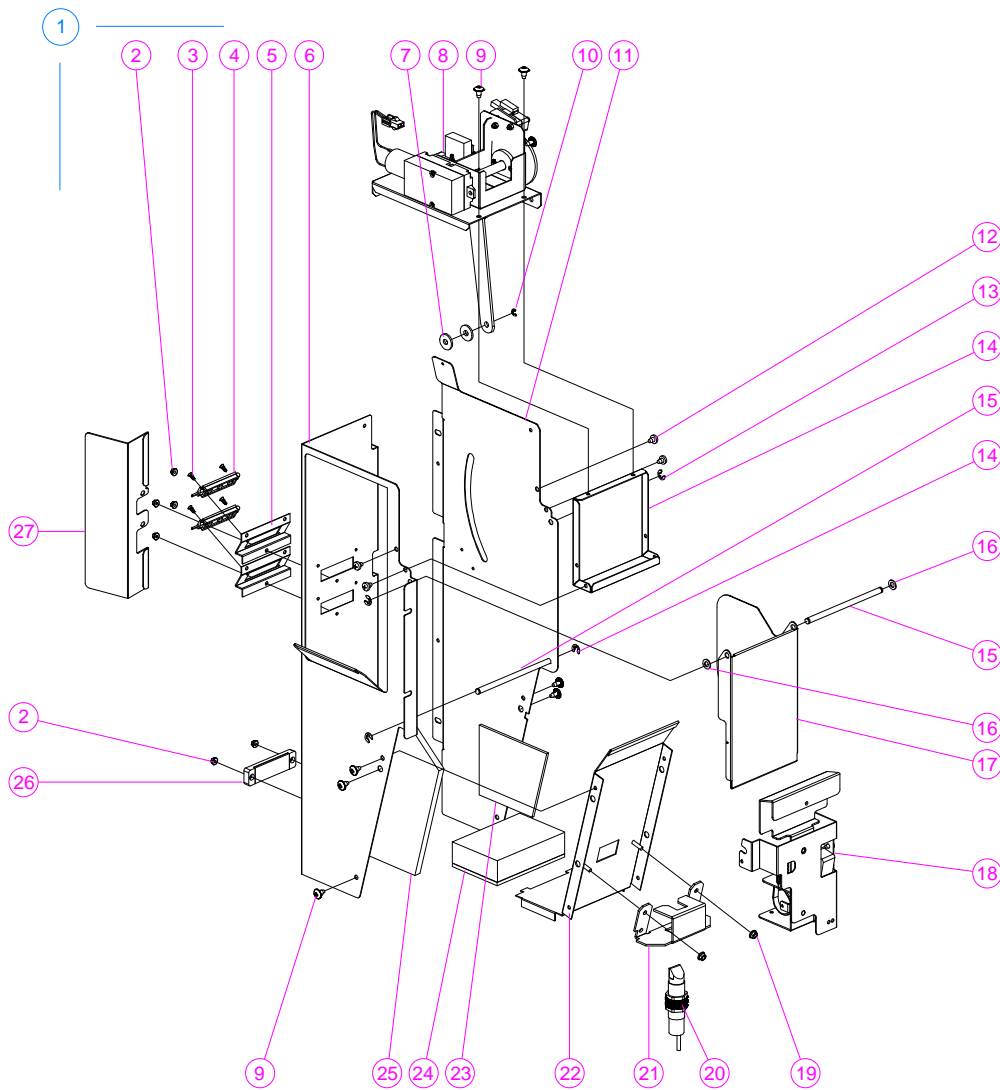
Pos	Code	Description	Serial Number Nota
1	143962	UPPER FLAP ASSY	2614003627 - ZZZZZZZZZZ
2	381603/6	SCREW 2,9x32	
3	392095	MICRO SW.AM51615C73MAT	
4	392062	MICRO SW.AM51612C53NAT	
5	413065	UPPER SWITCH SUPPORT FLAP	
6	390058/3	SELF-BLOCKING NUT M3	
7	138298/3	REDUCE MOTOR FOR SHUTTER	
8	412846	UPPER FLAP	
9	401489	RELE BOARD	
10	371109/3	SCREW TC+ 3MAX16	
11	412845	FLAP LEVER	
12	412844	MICRO FLAP CAM	
13	371110/14	SCREW 4MAX25	
14	412869	SHAFT, OPENING / CLOSING SHUTTER	
15	390058/1	SELF STOPPING NUT 4MA HIGH	
16	143715	FLAP STOPPER SUPPORT ASSY	
17	143959	STOP LEVER VEND DOOR FLAP WELD ASSY	
18	V800569	SCREW TC+ 4,8x6,5	
19	412525	STOP MOTOR	
20	143788	FLAP STOPPER SUPPORT ASSY	
21	407735	GEARED MOTOR	



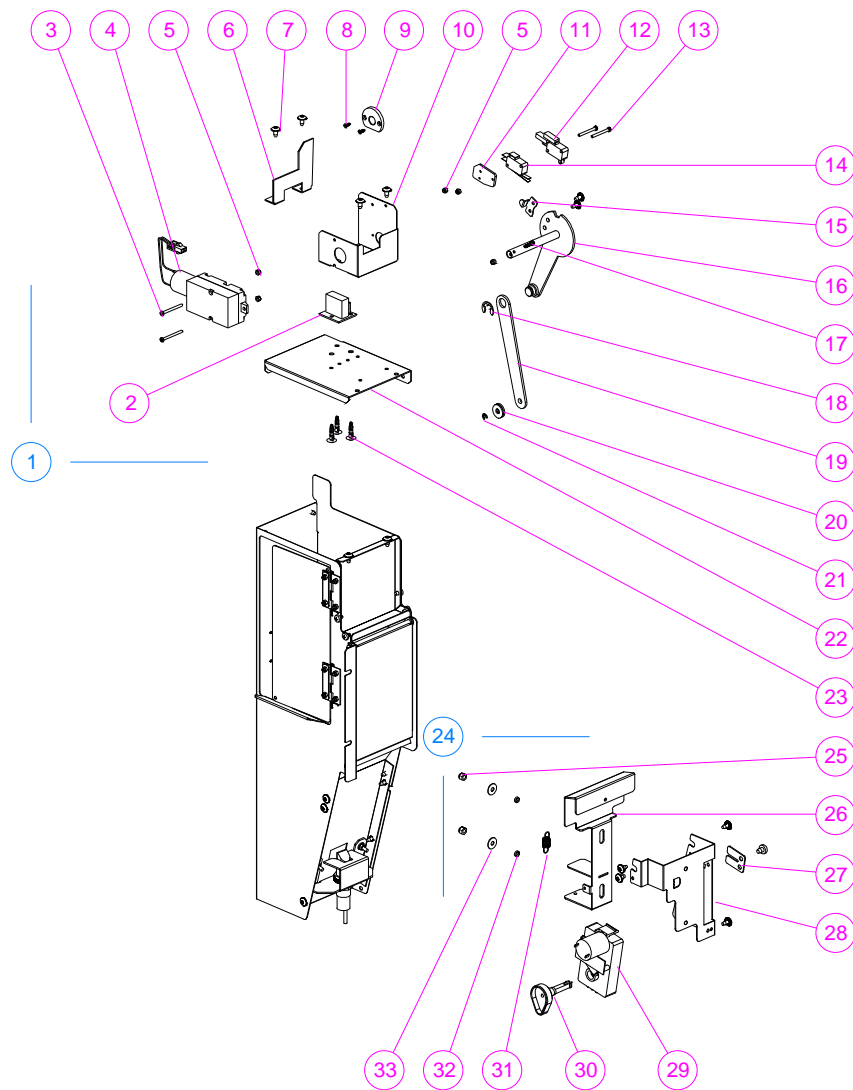
Pos	Code	Description	Serial Number Nota
22	407880	CAM	
23	395450	SPRING	
24	386067/2	SPACER	
25	31915	FLAT WASHER 5X15X1	
26	390058/2	SELF-BLOCKING NUT 5MA	



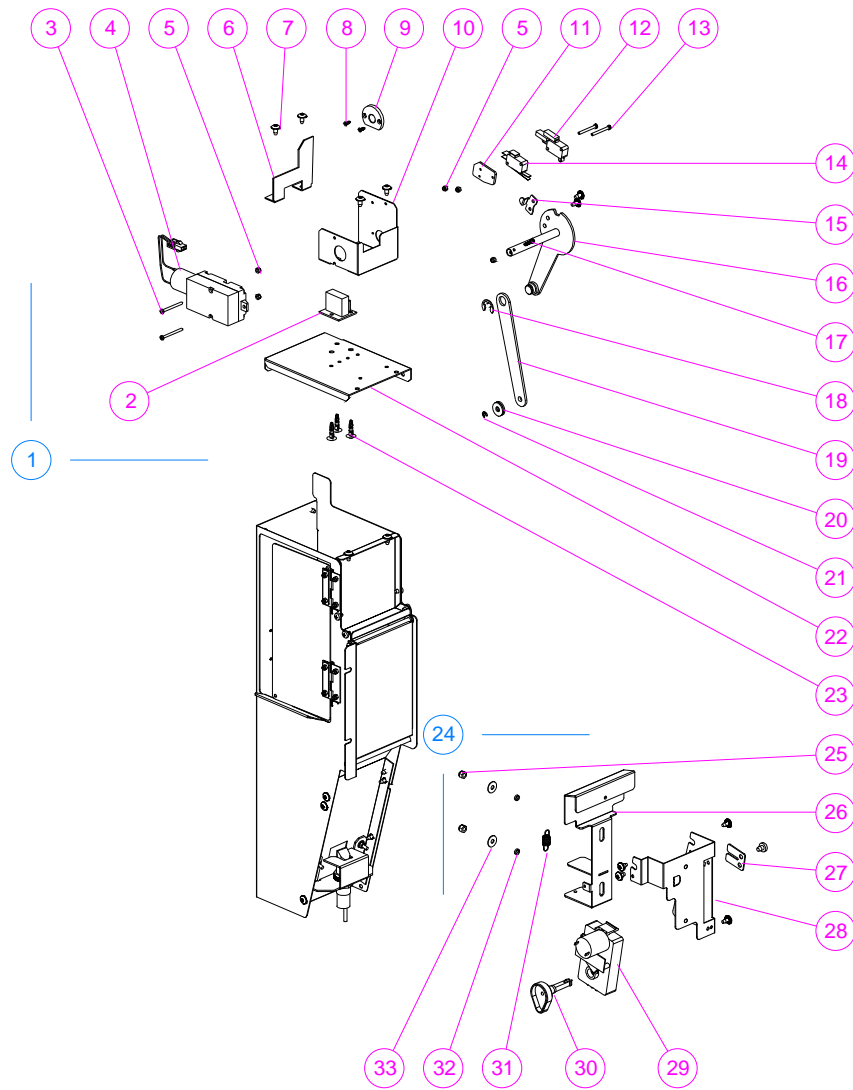
Pos	Code	Description	Serial Number Nota
1	143221	FLAP ASSY	0000000000 - 2613003010
2	398224	NUT, FLANGED 3MA MILLED	
3	381603/5	SCREW TSP+ 2,9X9,5	
4	408035	LED BOARD	
5	412610	FLAP LED SUPPORT	
6	143338	LH SIDE DRUM RIVET ASSY	
7	381066/3	NYLON WASHER 6,2X18X2	
8		Metal FLAP - Components	Pag. 22 - 23
9	V800570	SCREW T1+4,8X9,5 S.POINT	
10	381442/2	SEEGER Ø4	
11	412146	FLAP CASING RH	
12	V800569	SCREW TC+ 4,8x6,5	
13	381442/5	SEEGER	
14	411857	FRONT DRUM	
15	411766	DOOR ROTATION PIN	
16	411954	DOOR SPACER FLAP	
17	143321	FRONT DOOR DRUM RIVET ASSY	
18		Metal FLAP - Components	Pag. 22 - 23
19	398224/1	NUT, FLANGED 4MA MILLED	
20	408174	FAR/BN-2A MD PHOTOCELL	
21	408157/1	PHOTOCELL SUPPORT	



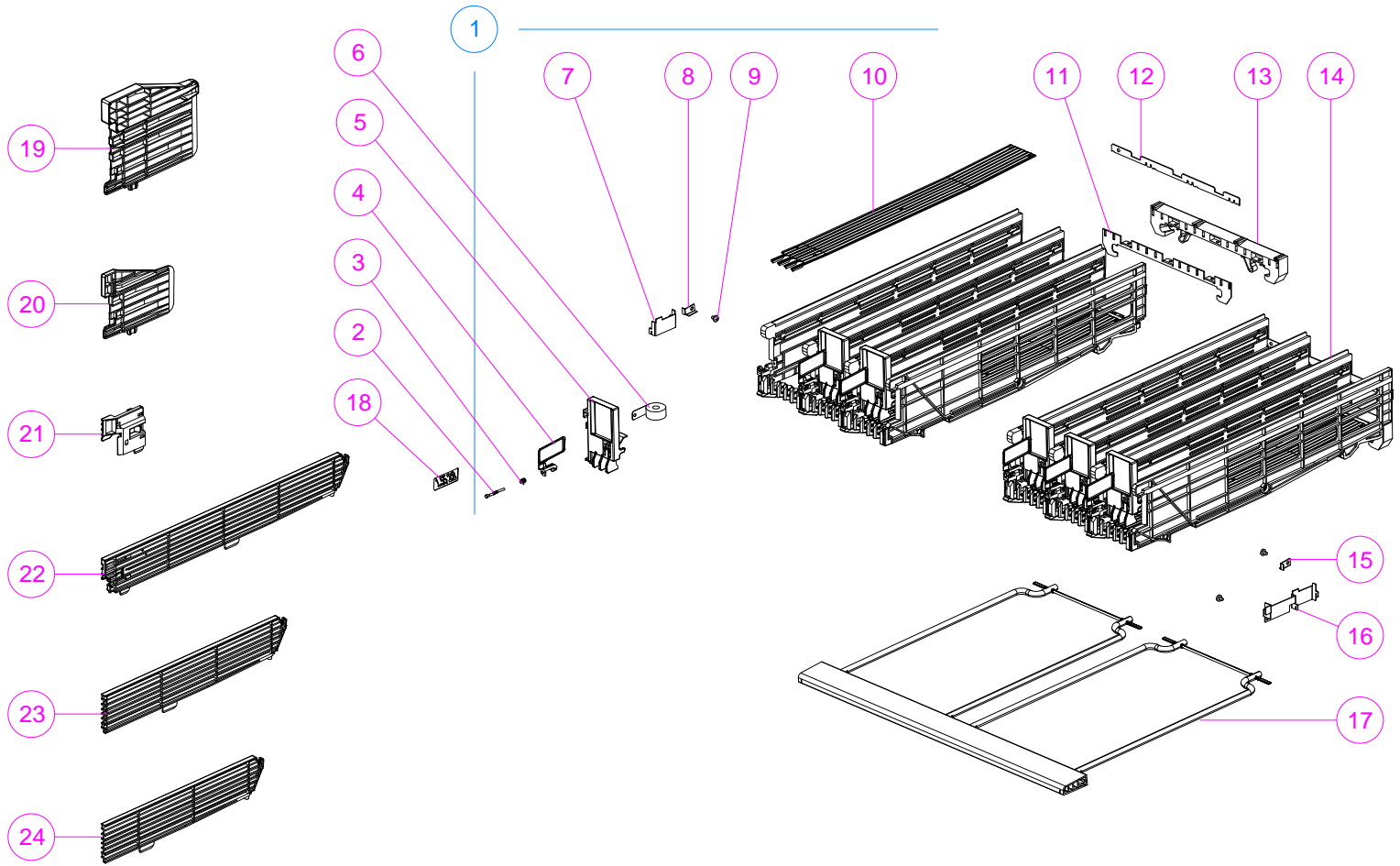
Pos	Code	Description	Serial Number Nota
22	143717	FRONT SUPPORT FLAP RIVET ASSY	
23	413130	FLAP RUBBER SPONGE	
24	413125	FLAP BOTTOM	
25	413126	FLAP RUBBER SPONGE	
26	408175	REFLECTOR RL 112G MD	
27	410254	COINAGE BUTTONS ANTIVANDALISM	Not included in the assembly



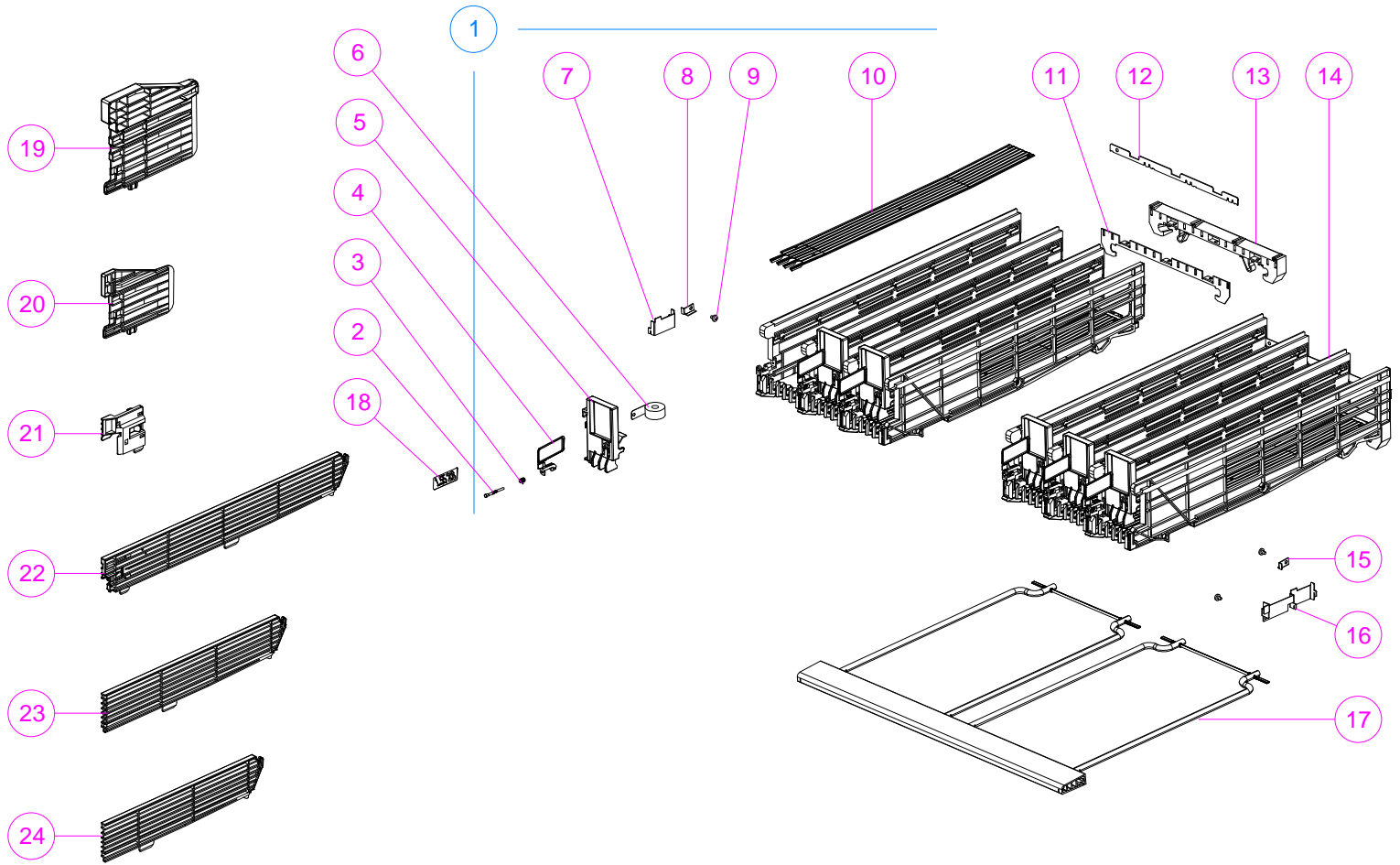
Pos	Code	Description	Serial Number Nota
1	143899	UPPER FLAP ASSY	0000000000 - 2613003010
2	401489	RELE BOARD	
3	371109/14	SCREW TC+ 3MAX35	
4	138298/3	REDUCE MOTOR FOR SHUTTER	
5	390058/3	SELF-BLOCKING NUT M3	
6	412859	FLAP MOTOR REINFORCEMENT	
7	V800570	SCREW T1+4,8X9,5 S.POINT	
8	381603/5	SCREW TSP+ 2,9X9,5	
9	399693	HINGE COMPASS	
10	412754	MOTOR SUPPORT FLAP	
11	340025/4	SWITCH INSULATOR	
12	392095	MICRO SW .AM51615C73MAT	
13	371109/8	SCREW TSP+ 3MAX30	
14	392062	MICRO SW .AM51612C53NAT	
15	404743	CAM STIRRUP	
16	143213/1	FLAP CAM WELD ASSY	
17	371109/3	SCREW TC+ 3MAX16	
18	V801084	SEEGER	
19	411767	LEVER FOR MICRO	
20	381066/3	NYLON WASHER 6,2X18X2	Not included in the assembly
21	381442/2	SEEGER Ø4	Not included in the assembly



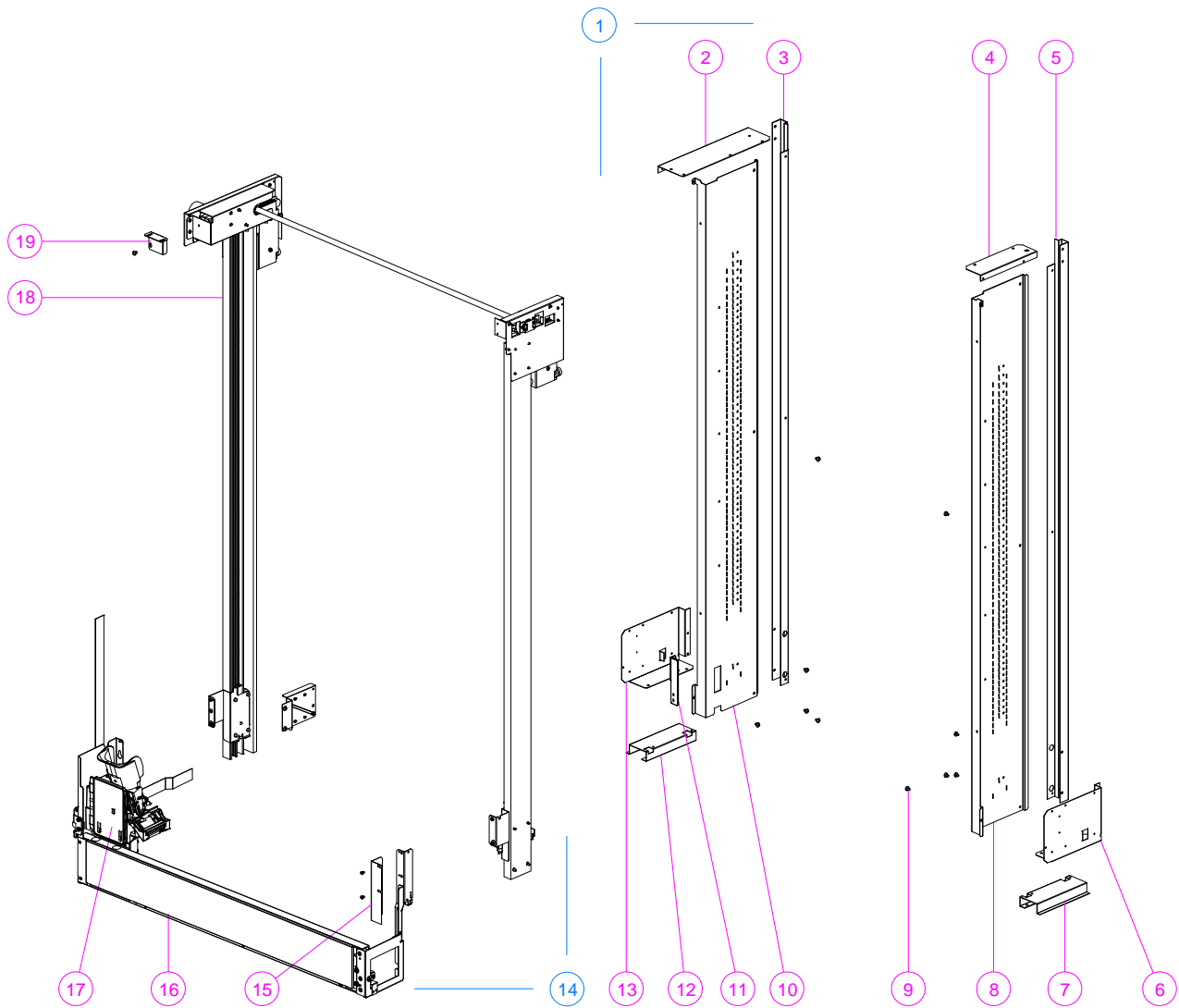
Pos	Code	Description	Serial Number Nota
22	412755	UPPER FLAP	
23	386348/1	BOARD RETAINER SUPPORT	
24	143715	FLAP STOPPER SUPPORT ASSY	
25	390058/2	SELF-BLOCKING NUT 5MA	
26	143959	STOP LEVER VEND DOOR FLAP WELD ASSY	
27	412525	STOP MOTOR	
28	143788	FLAP STOPPER SUPPORT ASSY	
29	407735	GEARED MOTOR	
30	407880	CAM	
31	395450	SPRING	
32	386067/5	SPACER 5X7X2.5	
33	31915	FLAT WASHER 5X15X1	



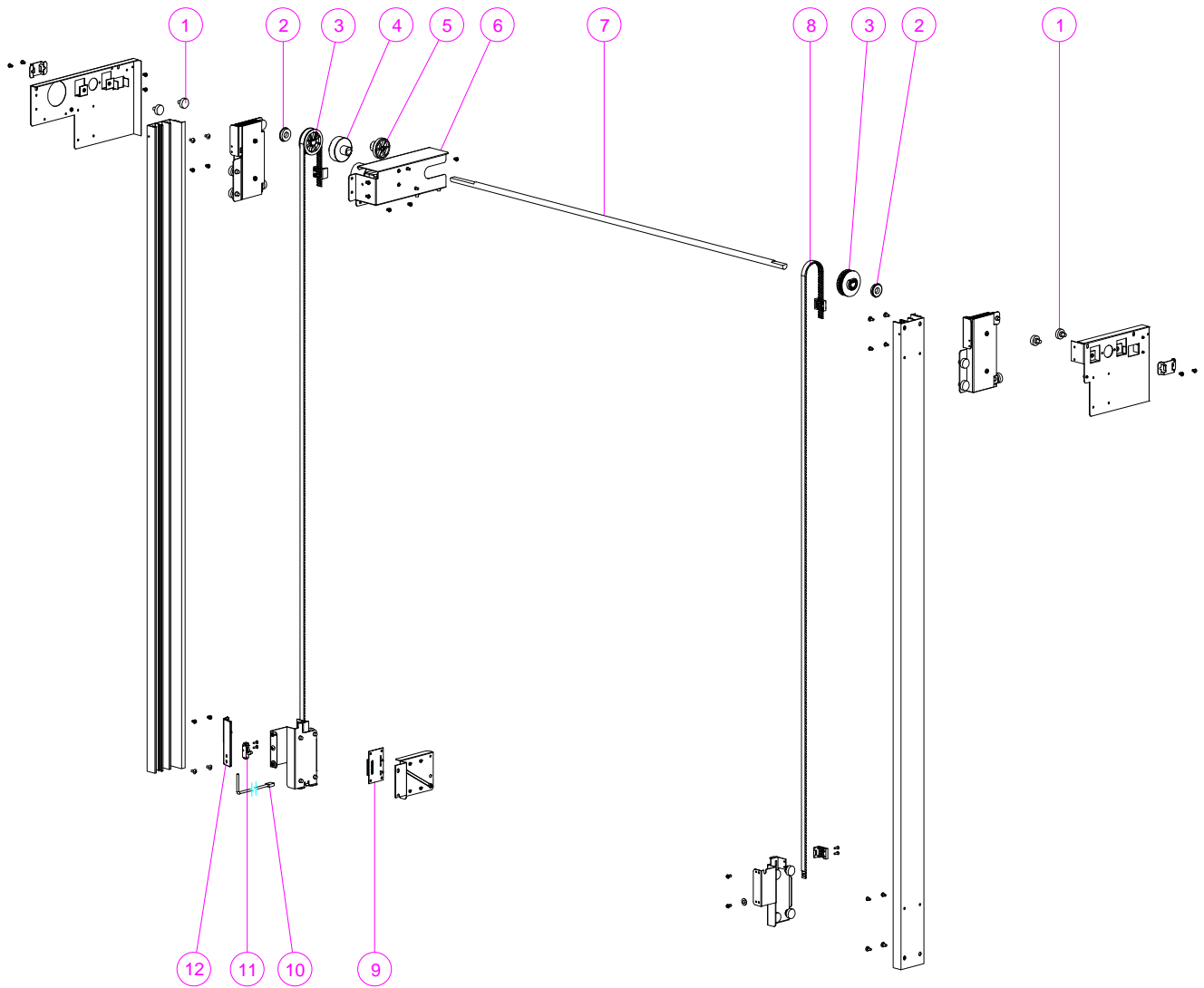
Pos	Code	Description	Serial Number Nota
1	141126	STD SHELF ASSY	
2	408557	PIVOT PIN GATE	
3	408556	TORSION SPRING GATE	
4	408555	PRODUCT GATE	
5	408489	PUSHER TRAY	
6	408488	VARIABLE SPG. PUSHER TRAY	
7	406552	LH SHELF SUPPORT	
8	406561	LH SHELF STOPPER	
9	V800569	SCREW TC+ 4,8x6,5	
10	408554	PRODUCT SLIDER	
11	408551	STIFFENER TRAY	
12	408550	STIFFENER COLUMN	
13	408549	COLUMN BACK	
14	141098	TRAY ASSY	
15	406561/1	RH SHELF STOPPER	
16	406556	RH SHELF SUPPORT	
17	141243	SHELF ASSY (6F)	
18	407752/2	SELECTION LABEL	
18	407753/2	PRICES LABEL	
19	408654	PRODUCT STABILIZER (HIGHT)	
20	407851	PRODUCT STABILIZER	



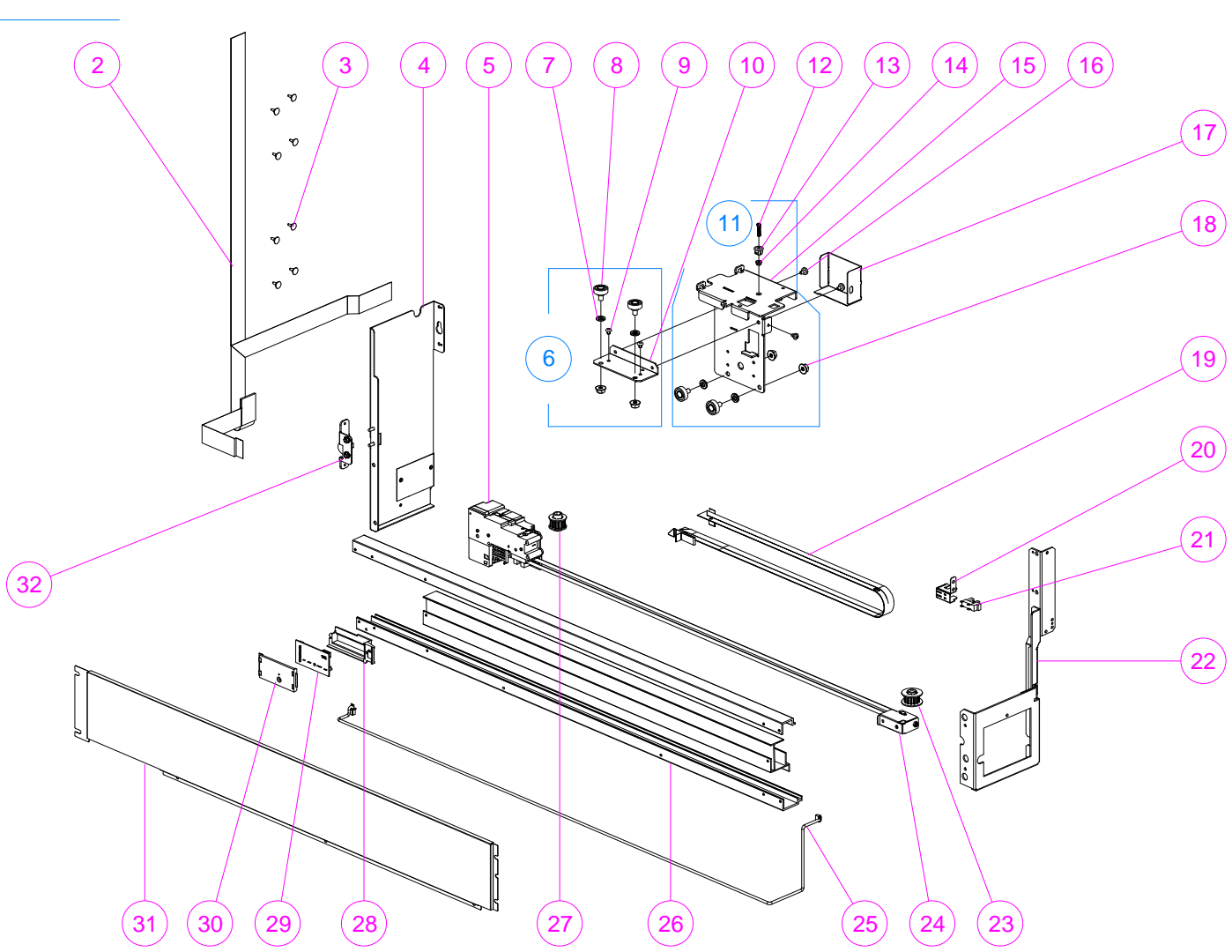
Pos	Code	Description	Serial Number Nota
21	407853	SPACER B	
22	407852	SPACER A	
23	407852/1	SPACER A1	
24	407852/2	SPACER A2	



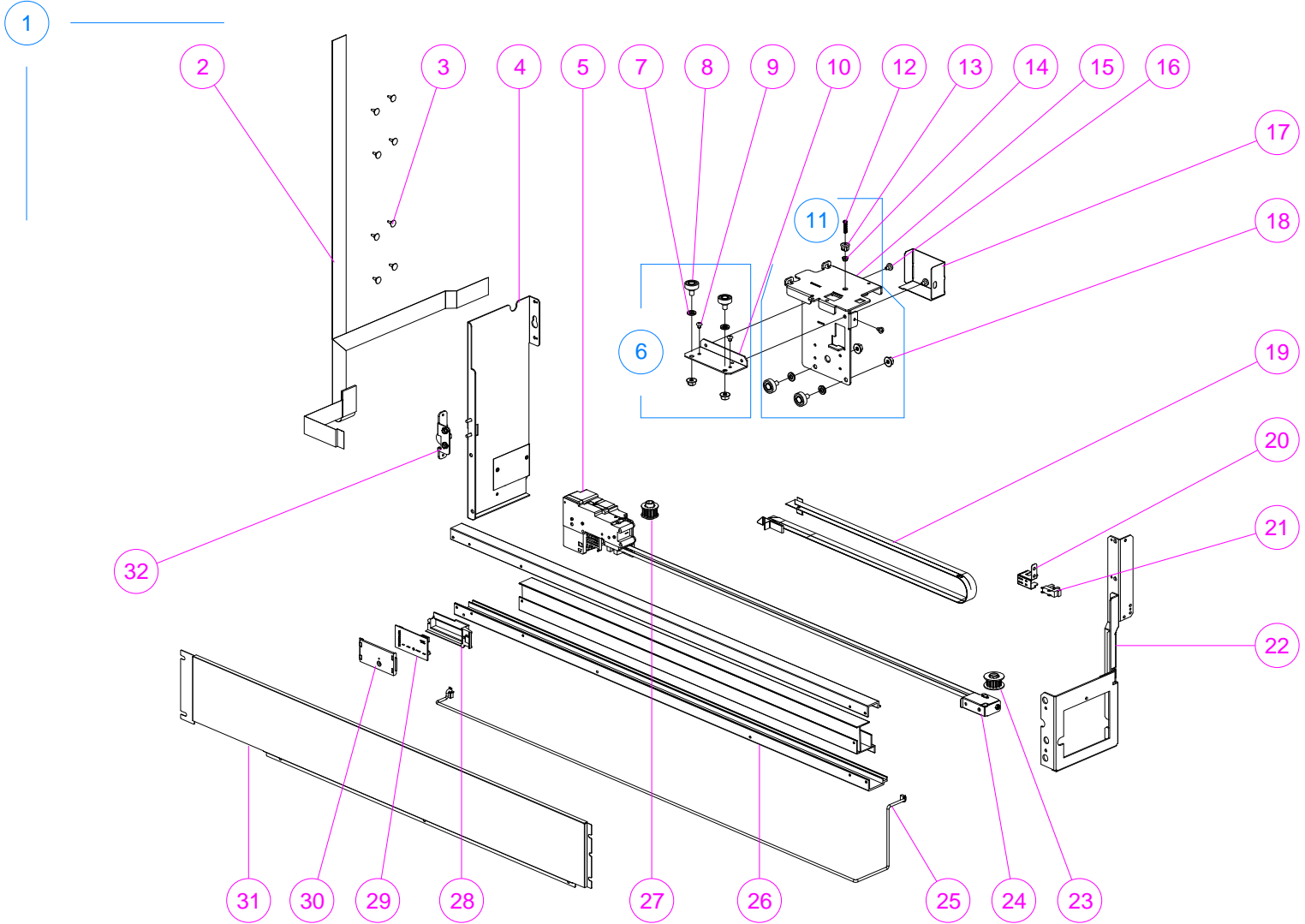
Pos	Code	Description	Serial Number Nota
1	141551	Y UNIT ASSY	
2	407262	LH Y ASSY UPPER RETAINER	
3	408435/1	LH Y ASSY VERTICAL SUPPORT	
4	407258	RH Y ASSY UPPER RETAINER	
5	408435	RH Y ASSY VERTICAL SUPPORT	
6	408432/1	RH Y GUIDE BASE	
7	408539/1	EXTENSION Y RH	Not included in the assembly
8	408434	RIGHT Y GUIDE SUPPORT	
9	V800569	SCREW TC+ 4,8x6,5	
10	408433	LEFT Y GUIDE SUPPORT	
11	407721	SWITCH SUPPORT	
12	408539	EXTENSION Y LH	Not included in the assembly
13	408432	LH Y GUIDE BASE	
14	141611	ELEVATOR HIGH 6 SELECTION	
15	408647	OPTICAL SENSOR COVER	
16		X Movement	Pag. 28 - 29
17		Bucket Assy	Pag. 30
18		Y Unit Assy	Pag. 27
19	407950	Y MOTOR RETAINER	



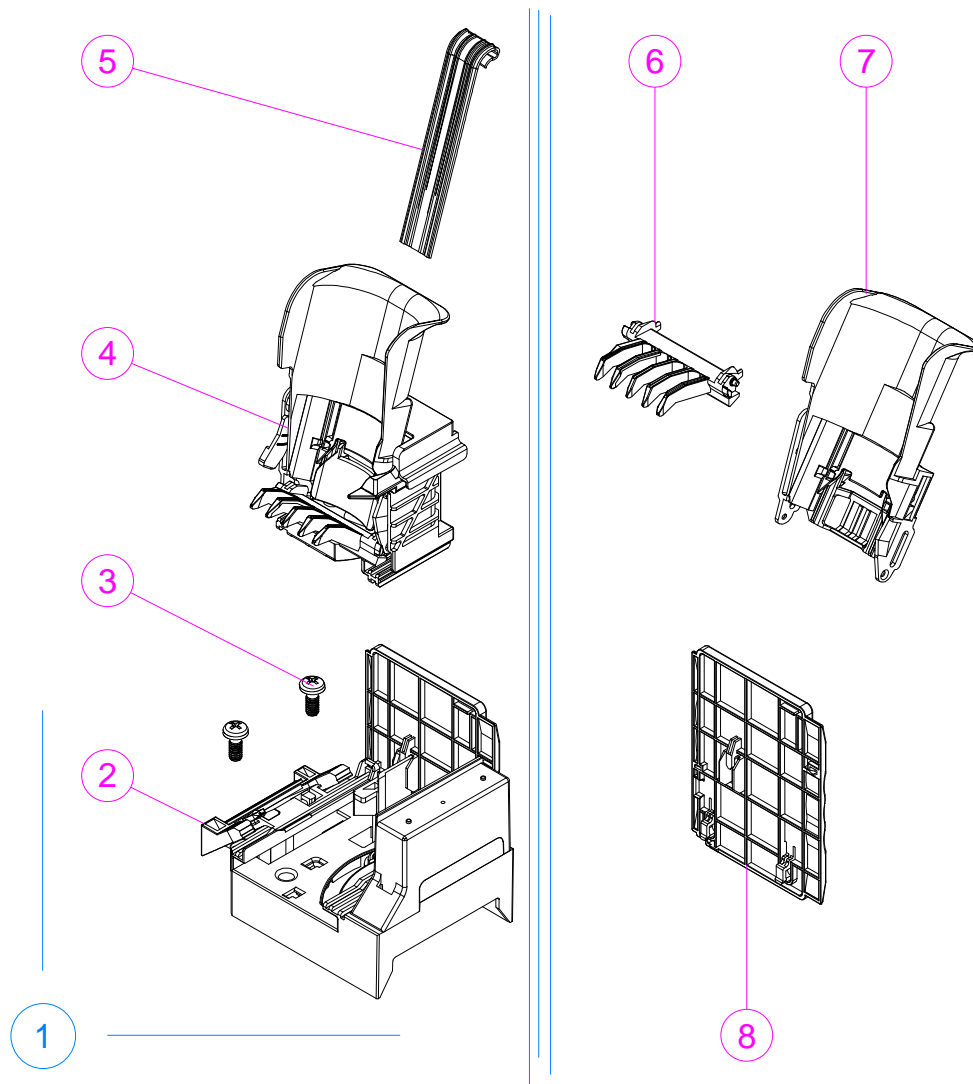
Pos	Code	Description	Serial Number Nota
1	408171	BEARING	
2	408170	BALL BEARING	
3	408163	GEAR WHEEL FOR Y MOTOR	
4	408162	DENTED GEAR FOR Y MOTOR	
5	408164	GEAR FOR MOTOR "Y"	
6	141376	DRIVE MOTOR ASSY , Y AXIS	
7	408172/1	SHAFT Y AXIS (6F)	
8	408535	BELT	
9	141371	BOARD ASSY, X	
10	141367	HARNESS Y ORIGIN	
11	408168	SWITCH HOME "Y"	
12	407721	SWITCH SUPPORT	



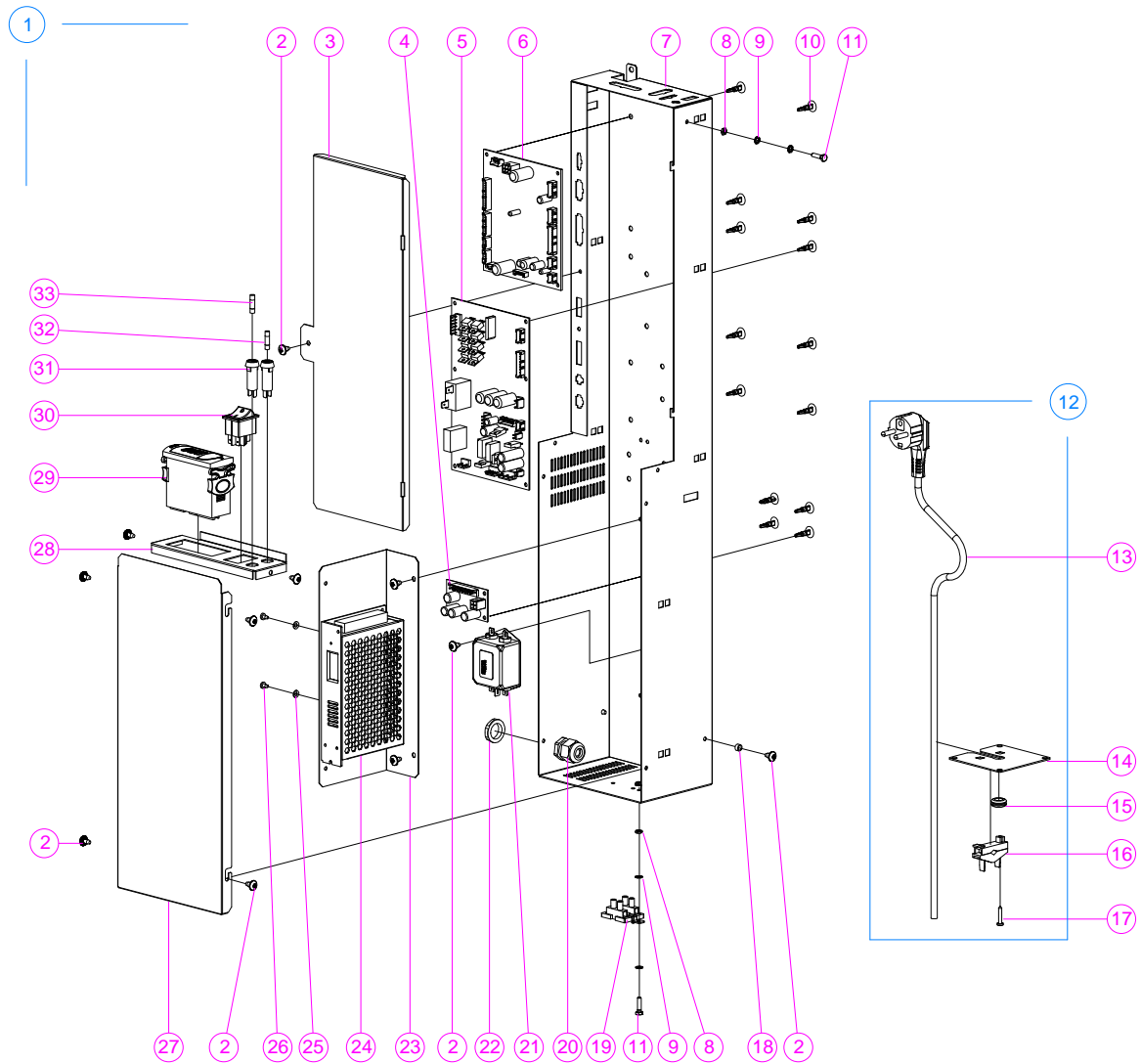
Pos	Code	Description	Serial Number Nota
1	144314/1	"X" VERTICAL 6 FACE ASSEMBLY	
2	144407	FLAT CABLE ASSY, Y AXIS VERTICAL	
3	404306	CANOE CLIPS	
4	412357	LEFT SIDE X AXIS	
5	141377	DRIVE MOTOR ASSY , X AXIS (6F)	
6	141889	WHEELS SUPPORT ASSY	
7	381228/1	WASHER	
8	408171	BEARING	
9	411785	RIVET FOR FLAT CABLE	
10	412502	WHEEL SUPPORT	
11	141890	BUCKET SUPPORT ASSY	
12	371109/3	SCREW TC+ 3MAX16	
13	323005	SNAP IN NUT	
14	398224	NUT, FLANGED 3MA MILLED	
15	142391	BUCKET SUPPORT WELD ASSY	
16	V800569	SCREW TC+ 4,8x6,5	
17	412867	BOARD PROTECTION	
18	398224/3	NUT, FLANGED 6MA MILLED	
19	141365	FLAT CABLE ASSY, X AXIS (6F)	
20	408173	SENSOR HOLDER, RT	
21	408169	SENSORE "Y"	



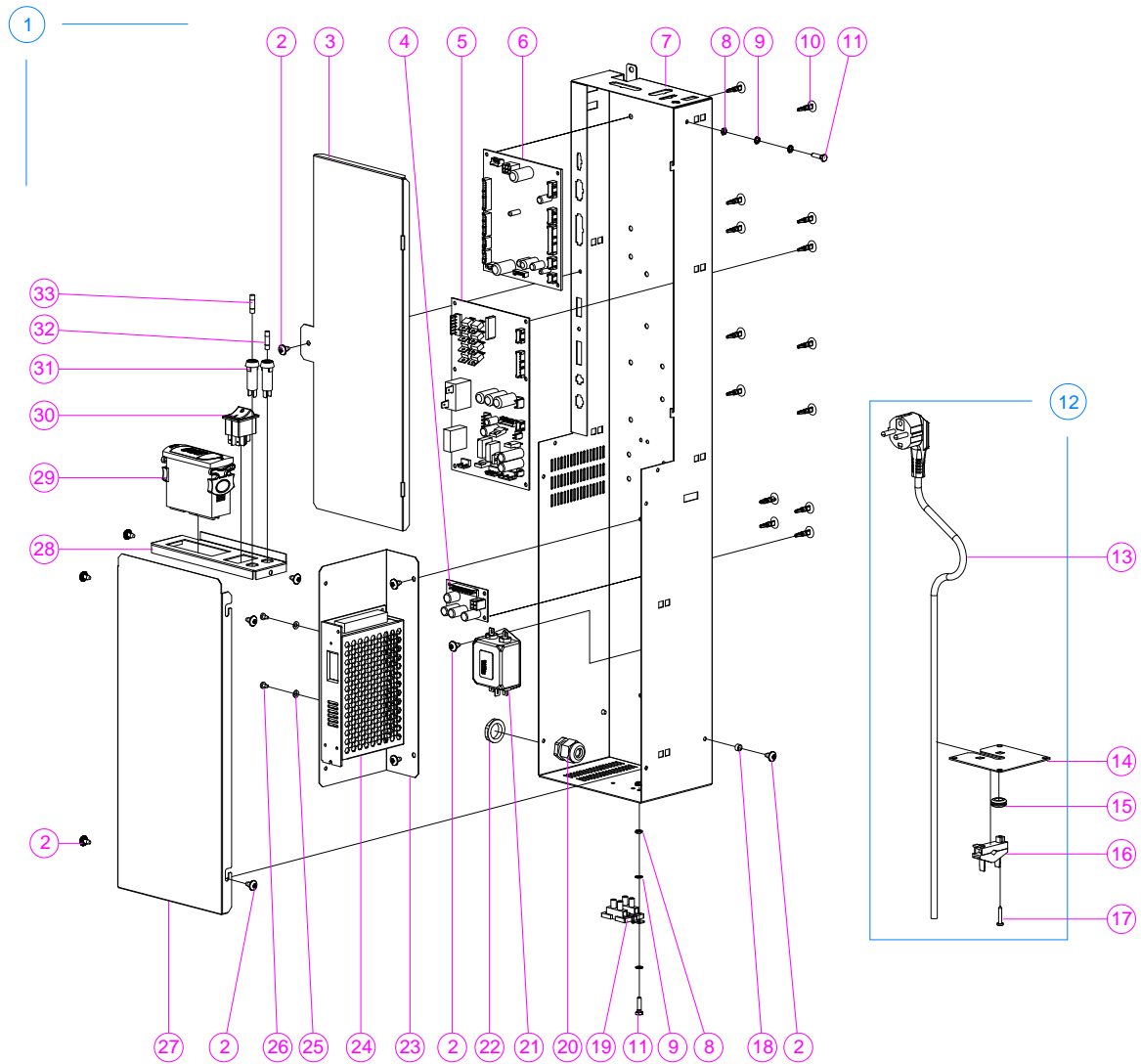
Pos	Code	Description	Serial Number Nota
22	412489	RIGHT SIDE X AXIS	
23	410740	POOLY J-14S3M7	
24	408167	BELT B60S3M1146 (6F)	
25	141369	HARNESS, SHELF SENSE SW (6F)	
26	413640	X PROFILE 615.5mm	
27	408603	POOLY, K-14S3M7	
28	144305	TOP BOARD COVER	
29	141374	TERMINAL BOARD ASSY "X"	
30	410250	BOTTOM BOARD COVER	
31	412865/1	X AXIS FRONT COVER	
32	141671	WHEEL AXLE X ASSEMBLY	Not included in the assembly



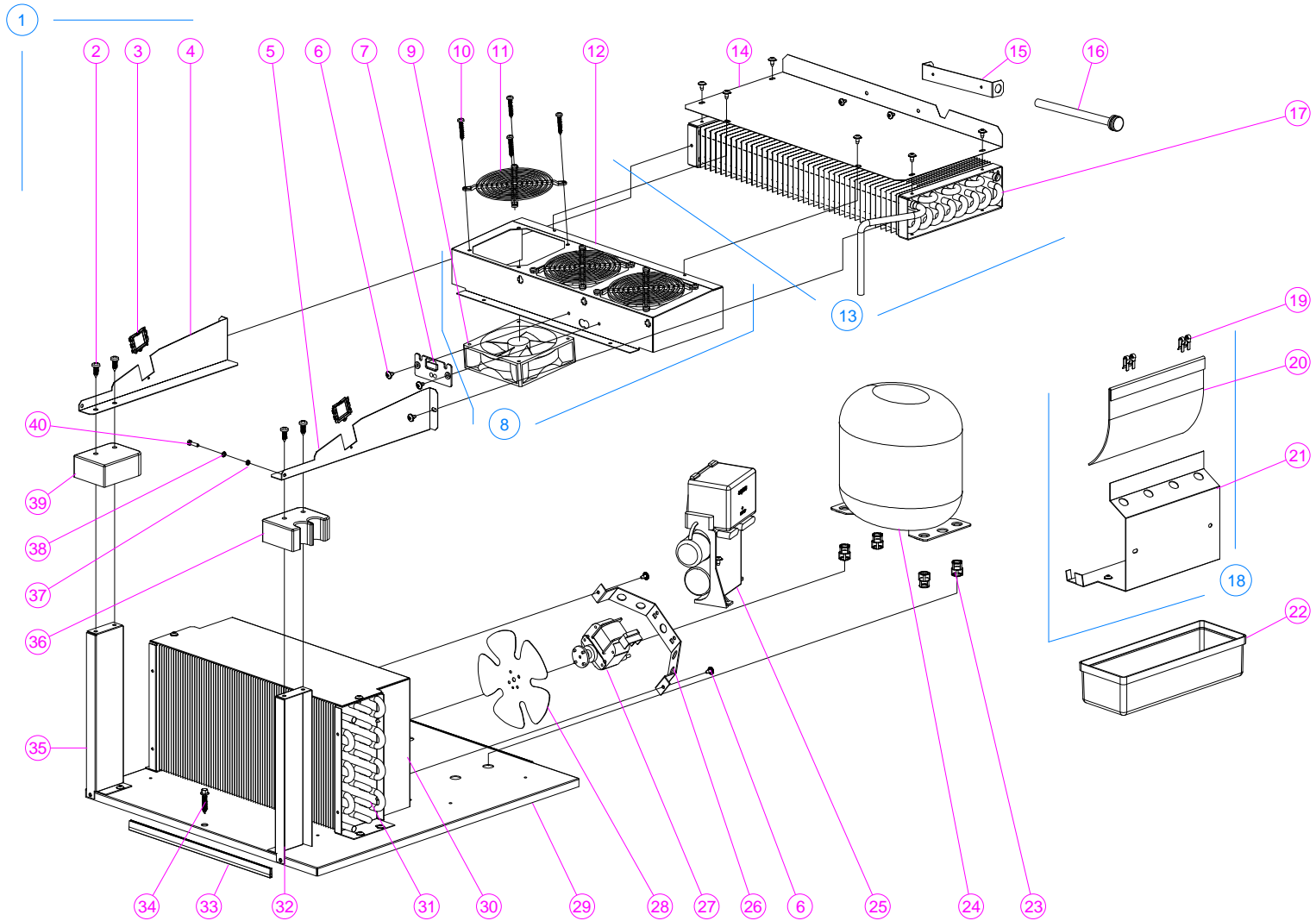
Pos	Code	Description	Serial Number Nota
1	141099	FLM ASSY	
2	141373	BUCKET BASE WITH MOTOR ASSY	
3	371110/1	SCREW, TC+4MAX10	
4	141372	BUCKET ASSY	
5	412375	SLIDE PRODUCTS	Not included in the assembly
6	408160	FORK	
7	408159	BUCKET	
8	408161	PANEL BUCKET	



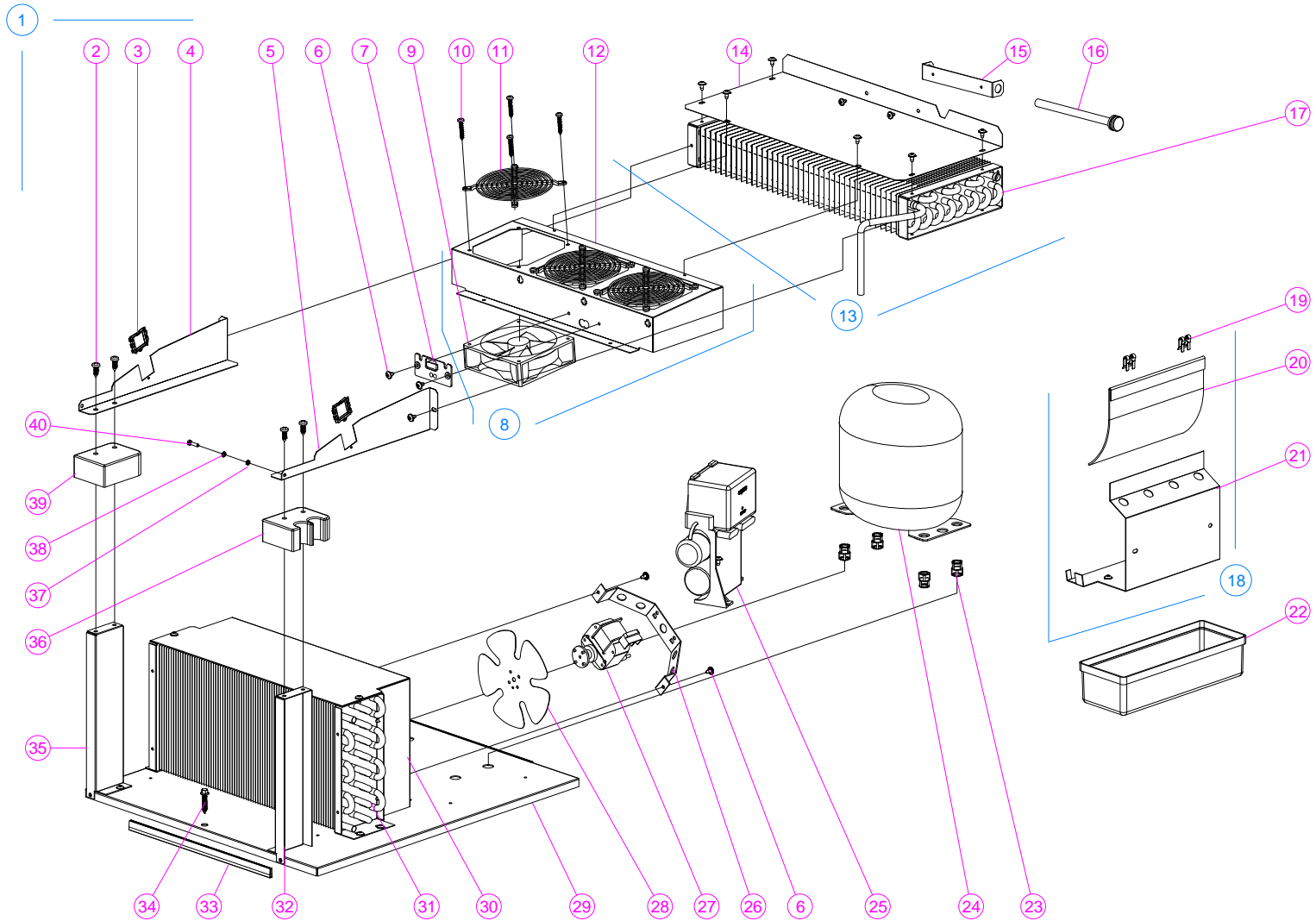
Pos	Code	Description	Serial Number Nota
1	143457	BOX TRANSFORMER ASSY	
1	143457/1	UK DL BOX TRANSFORMER ASSY	
1	143457/2	SELECTA DL BOX TRANSFORMER ASSY	
1	143936	CO2 DL BOX TRANSFORMER ASSY	
2	V800570	SCREW T1+4,8X9,5 S.POINT	
3	412151	BOARD COVER	
4	408724	CONTROLLER VOLTAGE BOARD	
5	407731	RELAYS BOARD SRB-1JGF01A-JC	
6	407732	SLAVE CONTROLLER SVC-1JGF63ACH	
7	411967	BOX TRANSFORMER	
8	381644	BRASS NUT M4	
9	V801039	WASHER D.E. 4X8	
10	386348/1	BOARD RETAINER SUPPORT	
11	381643	BRASS BOLT M4	
12	141388	PHARMACY - STD SERVICE CORD ASSY	Only with p/n 143457 and p/n 143936
12	141388/1	UK SERVICE CORD ASSEMBLY	Only with p/n 143457/1
12	141388/2	SELECTA SERVICE CORD ASSY	Only with p/n 143457/2
13	520044/16	SERVICE CORD	Only with p/n 141388
13	392711/1	SERVICE CORD "UK"	Only with p/n 141388/1
13	130471/4	SELECTA SERVICE CORD ASSY	Only with p/n 141388/2
14	408146	SERVICE CORD PLATE	



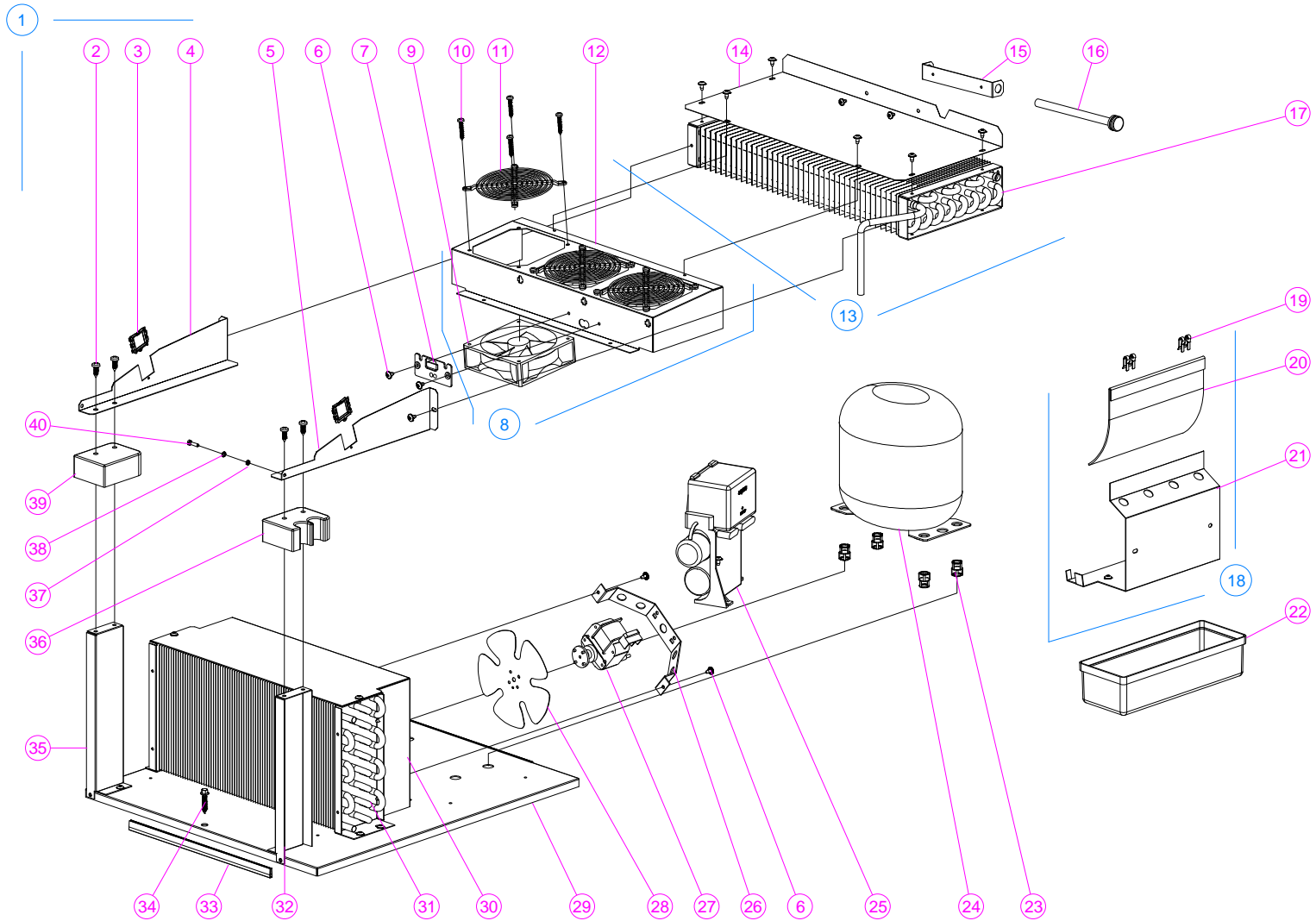
Pos	Code	Description	Serial Number Nota
15	408200	THREAD RING GUIDE	
16	408201	CABLE GRAND	
17	390558/1	SCREW 3,9 X 18	
18	386067	SPACER 5X7X3,9	
19	391032	TERMINAL BOARD	
20	391990	CABLE LOCK HEYCO 3213	
21	408912	FILTER SCHAFFNER FN2060-6-06	
22	391990/1	RING NUT 3213/B	
23	412380	BOX TRANSFORMER DIVIDER	0000000000 - 2521010445
23	412380/1	POWER SWITCHING SUPPORT	2521010446 - ZZZZZZZZZZ
24	413925	POWER SWITCHING LRS-150F-24	2612000872 - ZZZZZZZZZZ
25	V801440	WASHER	
26	V801441	SCREW	
27	412153	POWER SWITCH COVER	
28	412154/2	FUSE AND PUSH-BUTTON SUPPORT	2511000140 - ZZZZZZZZZZ
29	141478/6	GF6 & GF9 CONTROL UNIT ASSY	
29	141758/1	CO2 SNACK DRINK CONTROL UNIT ASSY	Only with p/n 143936
30	392627	LIGHT SWITCH	
31	395158	FUSE CARRIER	
32	386916/6	FUSE 5 X 20 3A	2511000140 - ZZZZZZZZZZ
33	386916/8	FUSE 5 X 20 10A	



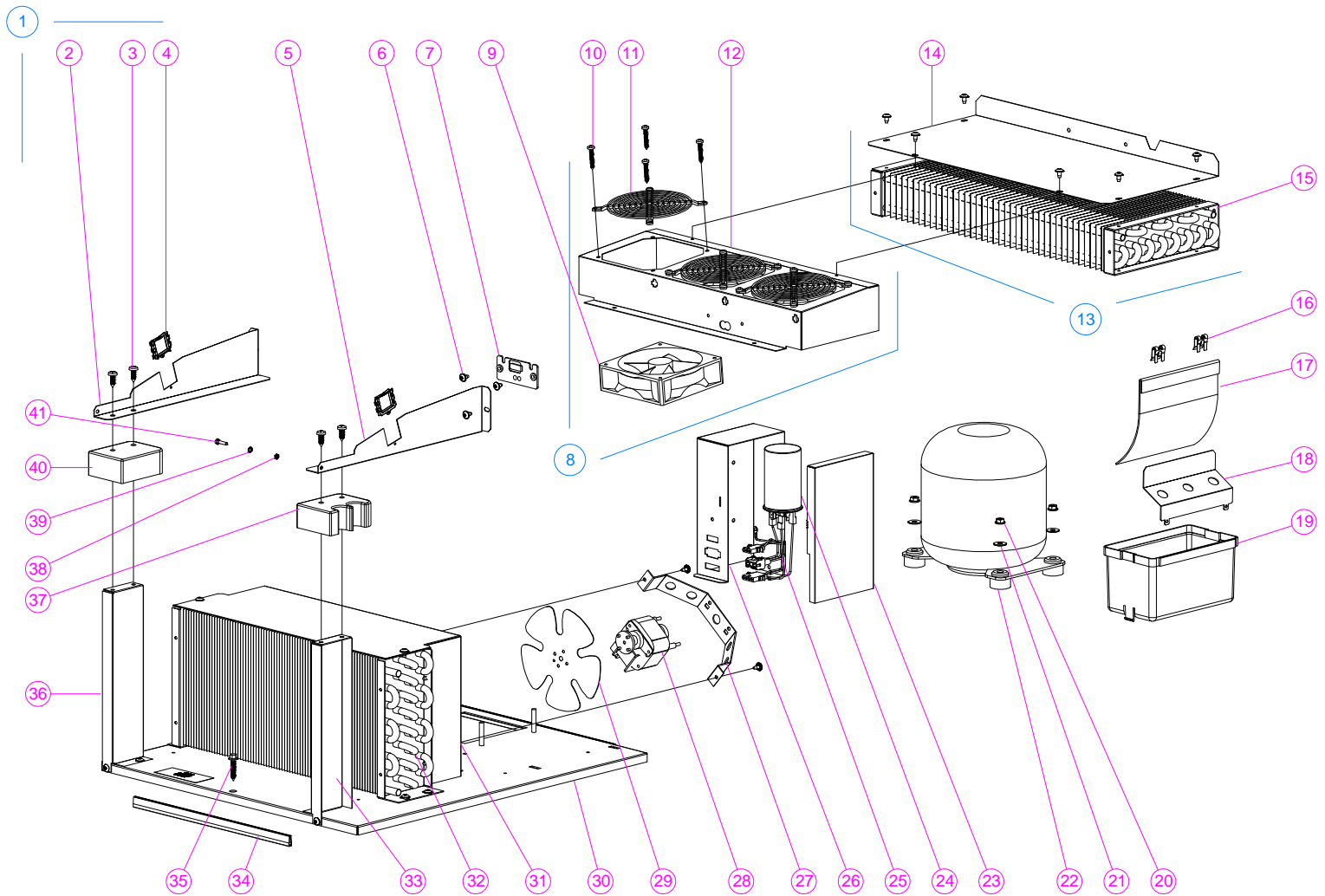
Pos	Code	Description	Serial Number Nota
1	143904	COOLING UNIT INSTALLATION ASSY	
1	143904/2	60Hz COOLING UNIT INSTALLATION ASSY	
1	143904/3	COOLING UNIT INSTALLATION ASSY SILENT	
2	V800876	SCREW 6,3X19	
3	408977	CABLE FASTNER	
4	408015/1	LH EVAPORATOR SUPPORT	
5	408015	RH EVAPORATOR SUPPORT	
6	V800570	SCREW T1+4,8X9,5 S.POINT	
7	404450	PROBE SUPPORT	
8	141353	FAN MOTOR ASSY	Only with p/n 143904 and 143904/2
8	141353/1	SILENT FAN MOTOR ASSY (OPTION)	Only with p/n 143904/3
9	407972	EVAPORATOR MOTOR FAN WIRED	Only with p/n 143904 and 143904/2
9	141329/1	SANYO C/L EVAPORATOR FAN MOTOR	Only with p/n 143904/3
10	392337/1	SCREW TC+ 4,8X32	
11	405734/1	FAN MOTORS GRID	
12	408138	FAN MOTOR SUPPORT	
13	140927	EVAPORATOR ASSEMBLY	
14	407080	AIR CONVEYOR	
15	408941	SUPPORT RESISTANCE WIRED	
16	402575/2	SELF-RESISTANCE TYPE 3	
17	403926/1	EVAPORATOR	



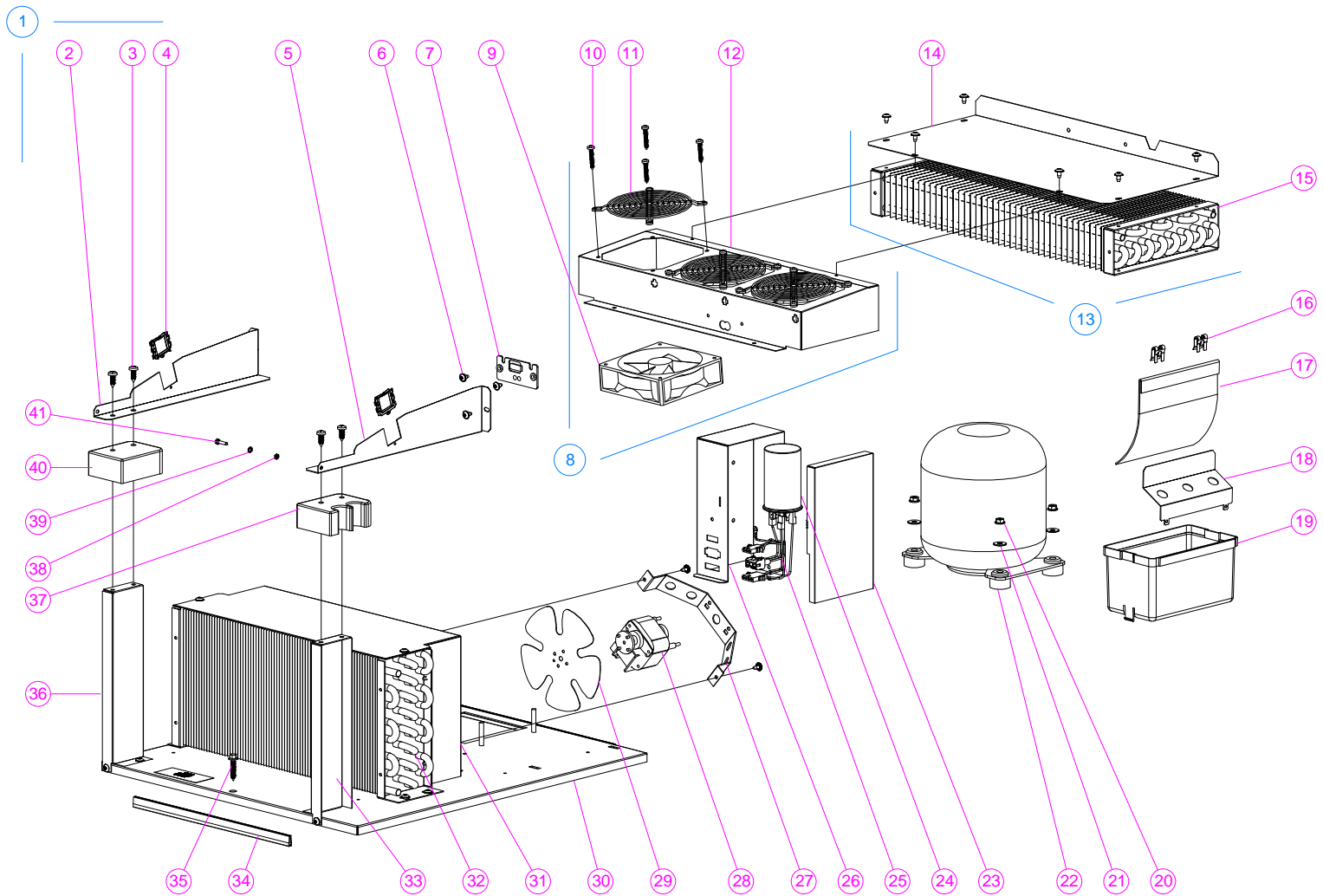
Pos	Code	Description	Serial Number Nota
18	138766	ASSORBENT ASSY	
19	400365	ASSORBENT CLIP	
20	396817	ASSORBENT SPONGE	
21	401731	ASSORBENT STRAP	
22	401457	CONDENSER BOX	
23	411609	SPIDER LOCK	
24	404972	NE9213GK ASPERA COMPRESSOR	Only with p/n 143904 and 143904/3
24	404972/1	NE9213GK 60Hz COMPRESSOR	Only with p/n 143904/2
25	412024	BOX ELETTR. COMPR. NE9213GK 50Hz	
26	391523/2	MOTOR FAN BRACKET	
27	391590/5	FAN MOTOR P30	
28	391591/3	SUCTION ALUMINIUM FAN BLADE	
29	407266/1	REFRIGERANT SYSTEM BASE	
30	408420	CONDENSER AIR CONVEYOR	
31	403392	CONDENSER	
32	413805	REFRIGERATION SYSTEM VERTICAL SUPPORT RH	
33	386430/20	U WHITE PROFILE MM.300	
34	386718	SCREW 6,3x32	
35	413805/1	REFRIGERATION SYSTEM VERTICAL SUPPORT LH	
36	405214	BUFFER IN PLASTIC WITH TWO CAVE	
37	405214/2	BUFFER IN PLASTIC WITHOUT CAVE	



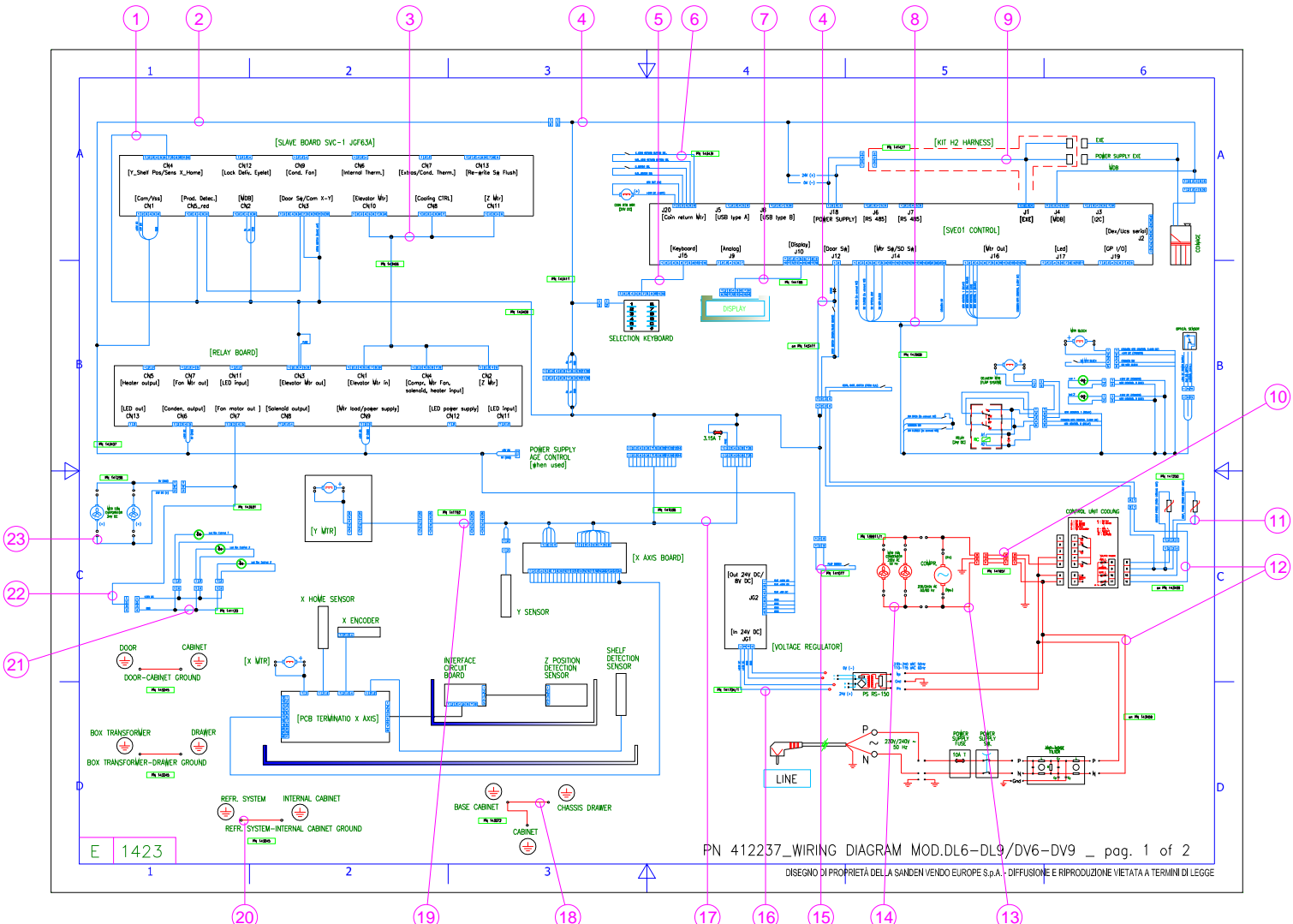
Pos	Code	Description	Serial Number Nota
38	381644	BRASS NUT M4	
39	V801039	WASHER D.E. 4X8	
40	381643	BRASS BOLT M4	



Pos	Code	Description	Serial Number Nota
1	143110/1	CO2 COOLING UNIT INSTALLATION ASSY	
2	408015/1	LH EVAPORATOR SUPPORT	
3	V800876	SCREW 6,3X19	
4	408977	CABLE FASTNER	
5	408015	RH EVAPORATOR SUPPORT	
6	V800570	SCREW T1+4,8X9,5 S.POINT	
7	404450	PROBE SUPPORT	
8	141353	FAN MOTOR ASSY	
9	407972	EVAPORATOR MOTOR FAN WIRED	
10	392337/1	SCREW TC+ 4,8X32	
11	405734/1	FAN MOTORS GRID	
12	408138	FAN MOTOR SUPPORT	
13	143111	CO2 EVAPORATOR ASSEMBLY	
14	407080	AIR CONVEYOR	
15	408621	CO2 EVAPORATOR	
16	400365	ASSORBENT CLIP	
17	396817	ASSORBENT SPONGE	
18	411163	ASSORBENT STRAP	
19	411109	CONDENSER BOX	
20	398224/3	NUT, FLANGED 6MA MILLED	
21	38148	FLAT WASHER 6X18X1.5	



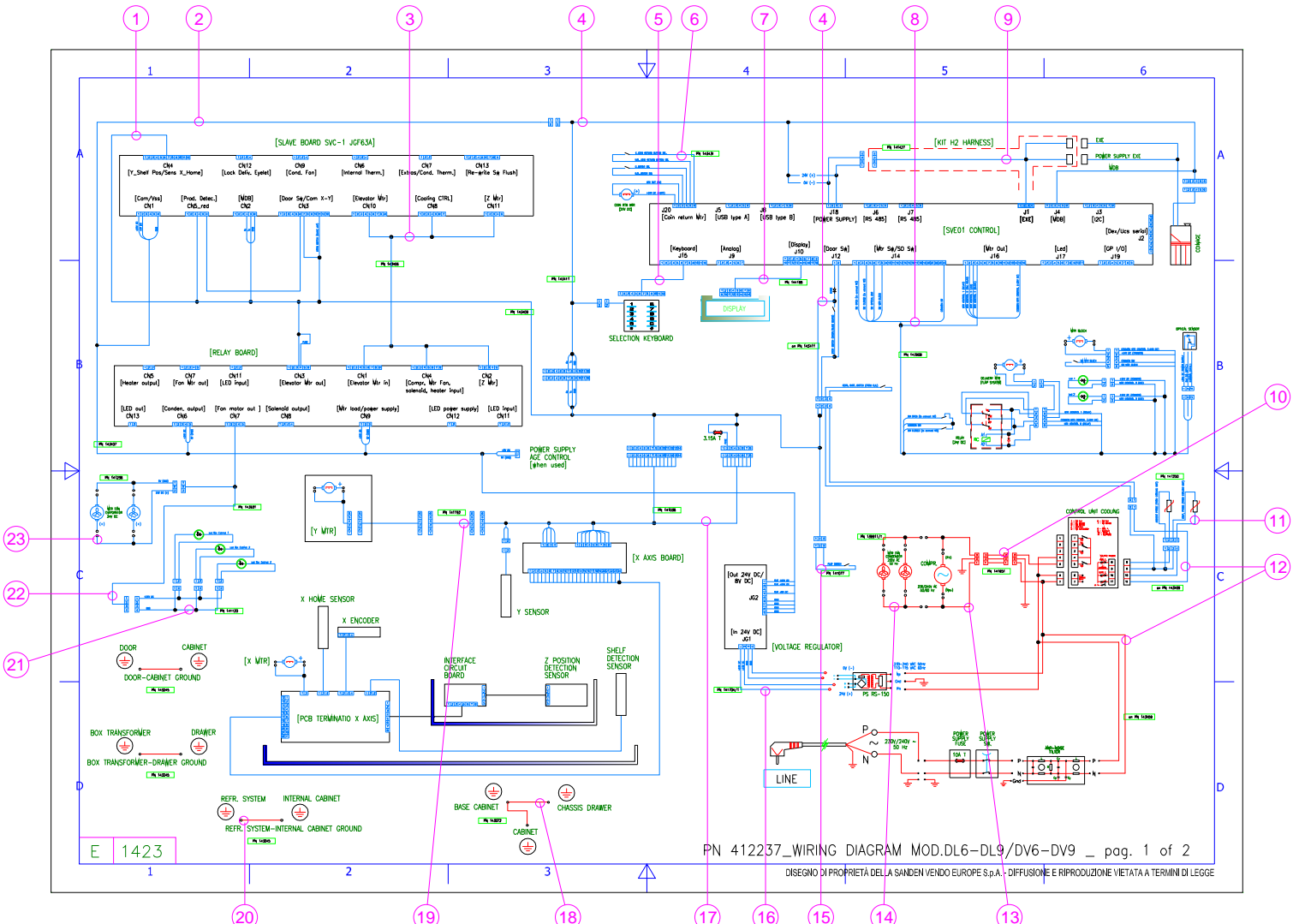
Pos	Code	Description	Serial Number Nota
22	413687	COMPRESSOR SRcBCA6439	
23	413793	COVER CAPACITOR BOX	
24	410734	CAPACITOR FOR COMPRESSOR SRcBCA6439	
25	143109	CO2 CAPACITOR / STARTING HARNESS	
26	413792	CAPACITOR BOX	
27	391523/2	MOTOR FAN BRACKET	
28	391590/5	FAN MOTOR P30	
29	391591/3	SUCTION ALUMINIUM FAN BLADE	
30	144461	REFRIGERAN UNIT BASE ASSY	
31	408420	CONDENSER AIR CONVEYOR	
32	408622	CO2 CONDENSER	
33	413805	REFRIGERATION SYSTEM VERTICAL SUPPORT RH	
34	386430/20	U WHITE PROFILE MM.300	
35	386718	SCREW 6,3x32	
36	413805/1	REFRIGERATION SYSTEM VERTICAL SUPPORT LH	
37	405214	BUFFER IN PLASTIC WITH TWO CAVE	
38	381644	BRASS NUT M4	
39	V801039	WASHER D.E. 4X8	
40	405214/2	BUFFER IN PLASTIC WITHOUT CAVE	
41	381643	BRASS BOLT M4	



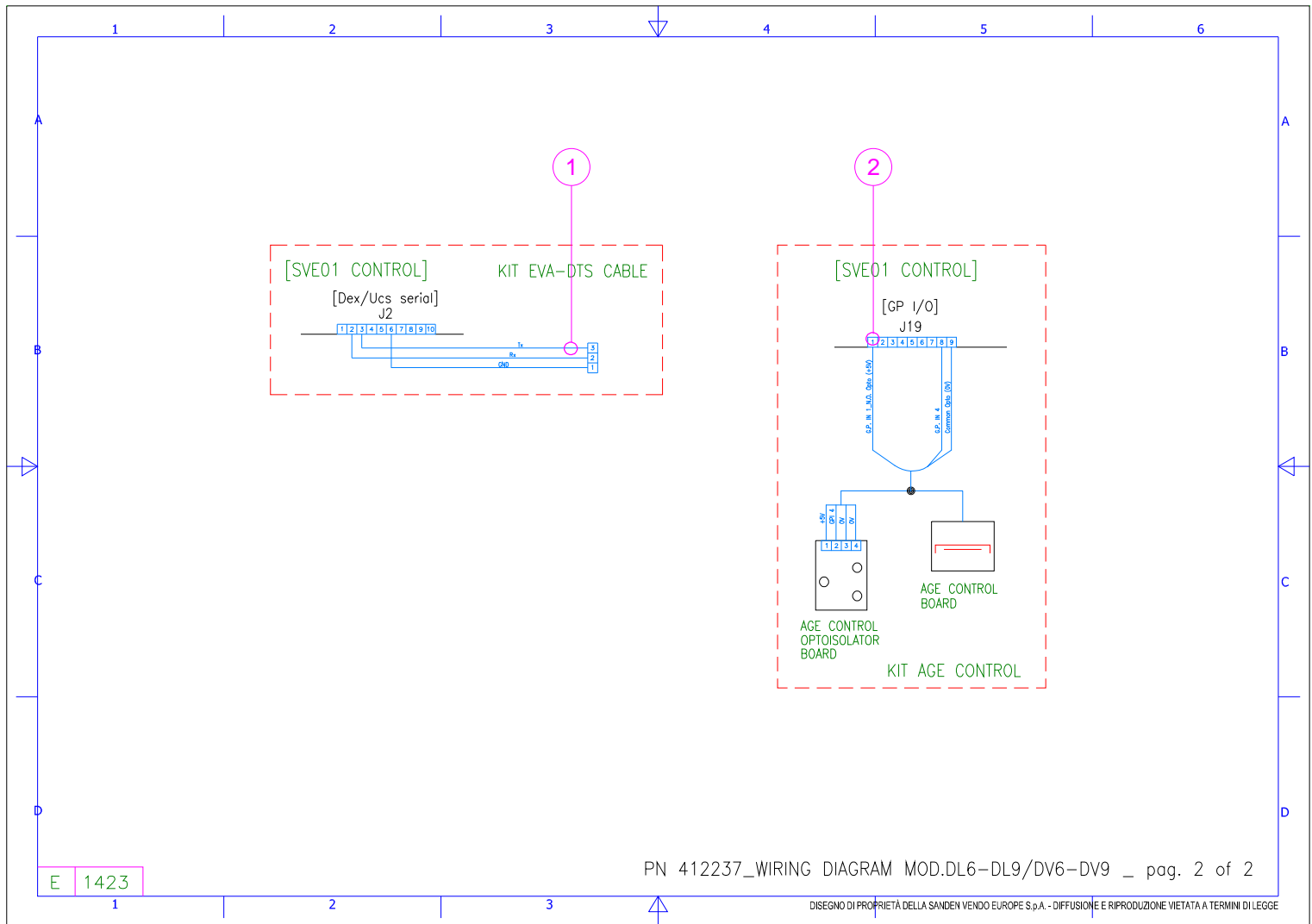
PN 412237_WIRING DIAGRAM MOD.DL6-DL9/DV6-DV9 _ pag. 1 of 2

DISEGNO DI PROPRIETA' DELLA SANDEN VENDO EUROPE S.p.A. - DIFFUSIONE E RIPRODUZIONE VIETATA A TERMINI DI LEGGE

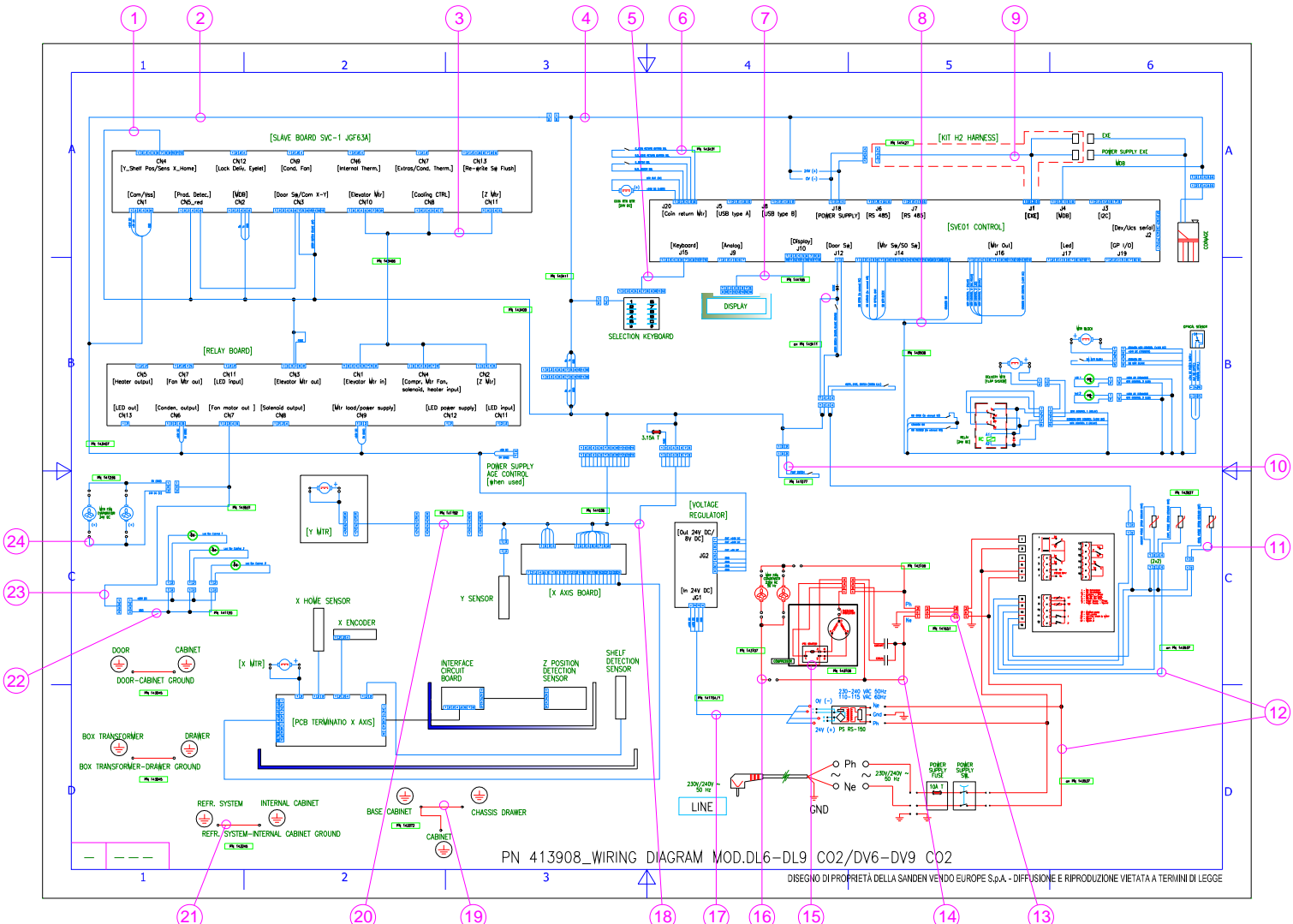
Pos	Code	Description	Serial Number Nota
1	143409	SIGNAL / CABINET ALIMENTATION HARNESS	
2	143407	+8V/+24V ALIMENTATION HARNESS	
3	143406	SLAVE / RELAY BOARD HARNESS	
4	143411	BT / SVE01 HARNESS	
5	143103/1	SVE01-CAPACITIVE DIRECT SEL. KEYBOARD HARNESS	
5	143009/1	SVE01-KEYBOARD HARNESS	
6	143431	COIN RETURN MOTOR HARNESS	
7	144166	DISPLAY HARNESS	
8	143908	FLAP SVE01 HARNESS	
9	141427	HARNESS SUPPLY/EXECUTIVE COINAGE	
10	141651	COMPRESSOR EXTENSION SOCKET HARNESS	
11	141250	PROBES HARNESS	
12	143459	TRANSFORMER BOX / CONTROL UNIT HARNESS	
13	140522/2	COMPRESSOR HARNESS	
14	139911/1	CONDENSER / FAN MOTORS HARNESS	
15	141077	FLAP DOOR MICRO-SWITCH HARNESS	
16	141704/1	HARNESS RS-150-24/REG.TENS.	
17	141036	DRAWER - CABINET HARNESS	
18	143372	GROUND WIRE (DOUBLE)	
19	141192	MINIF./SUMIKO INTERFACE HARNESS	
20	143245	GROUND WIRE	



Pos	Code	Description	Serial Number Nota
21	141120	BOX TRANSFORMER / LED HARNESS	
22	143631	LED / EVAPORATOR FAN MOTOR ALIMENTATION HARNESS	
23	141236	EVAPORATOR / FAN MOTORS HARNESS	



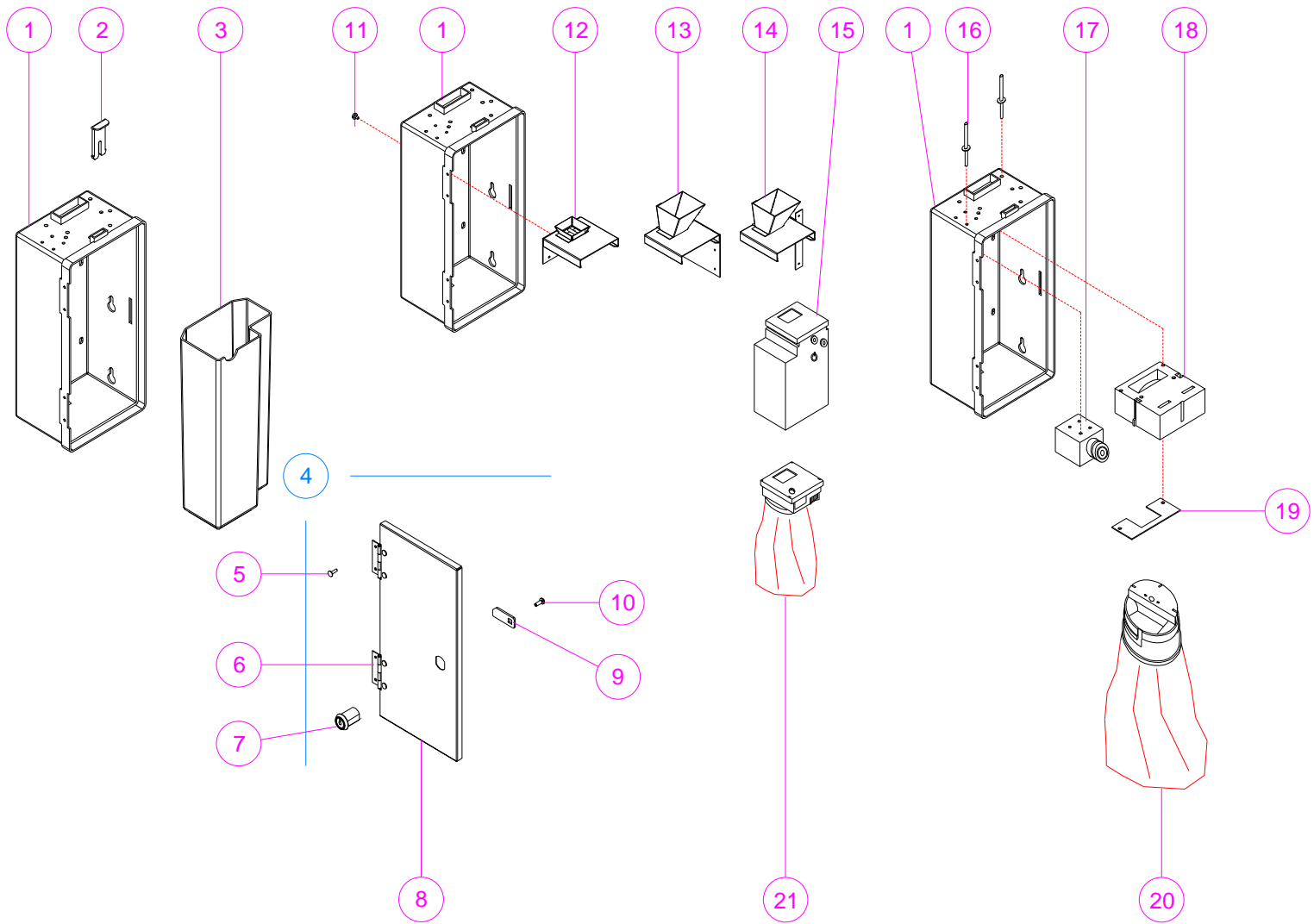
Pos	Code	Description	Serial Number Nota
1	144097	EVA-DTS HARNESS	
2	144390	AGE READER / TRANSFORMER BOX HARNESS	



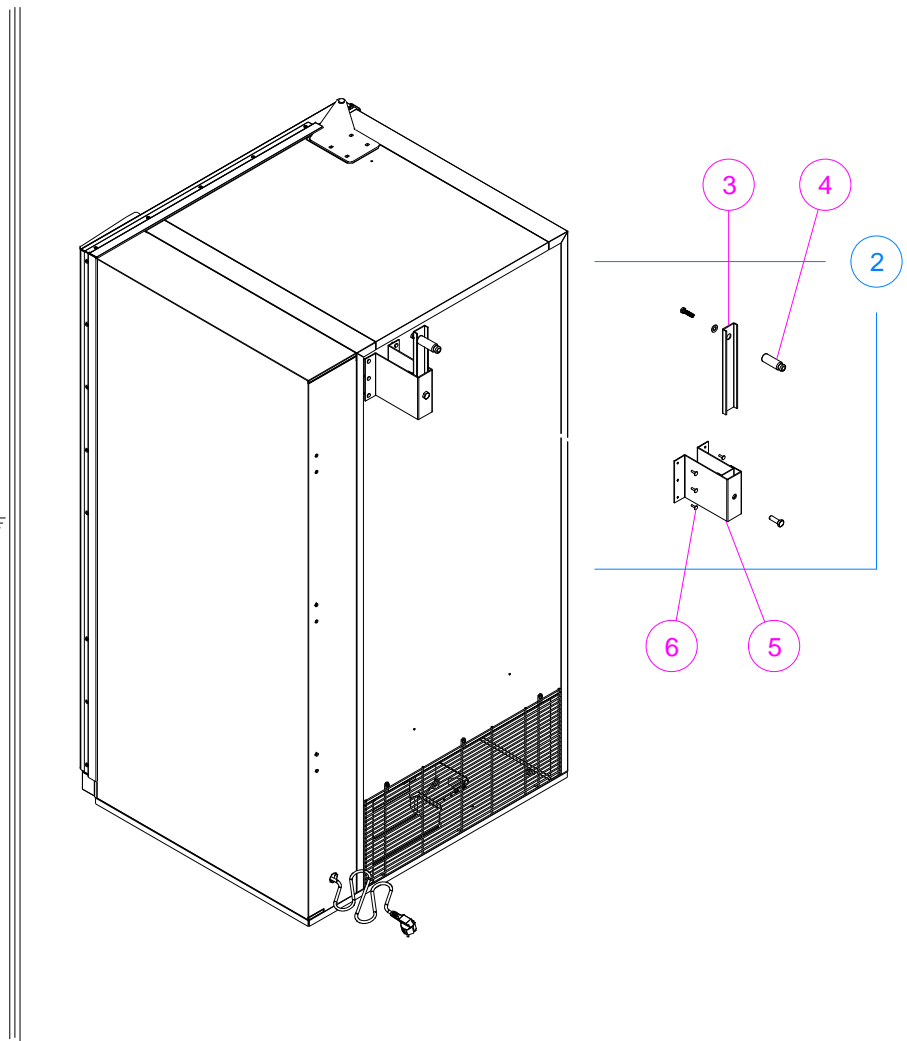
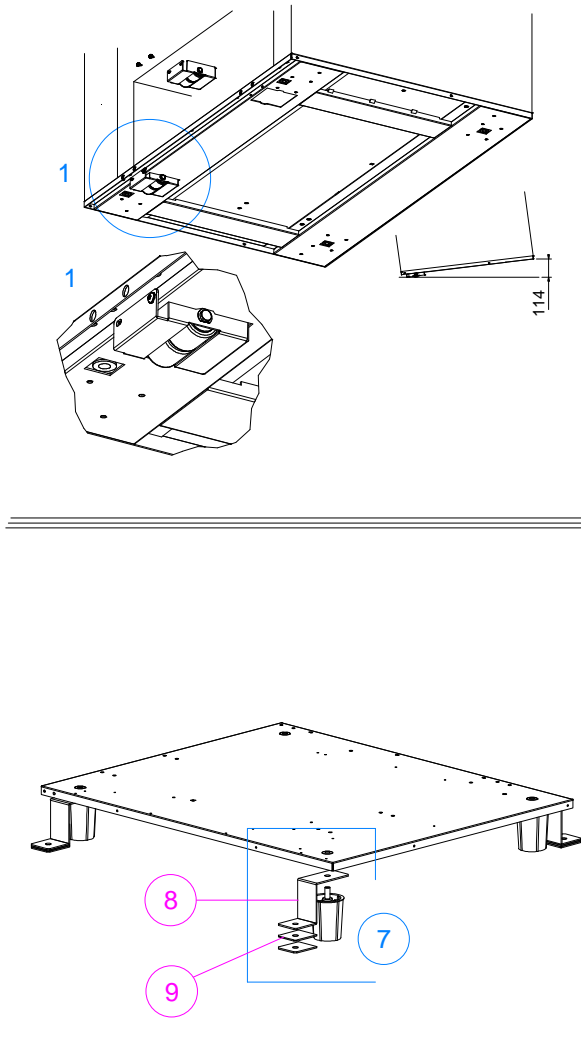
PN 413908_WIRING DIAGRAM MOD.DL6-DL9 CO2/DV6-DV9 CO2

DISEGNO DI PROPRIETÀ DELLA SANDEN VENDO EUROPE S.p.A. - DIFFUSIONE E RIPRODUZIONE VIETATA A TERMINI DI LEGGE

Pos	Code	Description	Serial Number Nota
1	143409	SIGNAL / CABINET ALIMENTATION HARNESS	
2	143407	+8V/+24V ALIMENTATION HARNESS	
3	143407	+8V/+24V ALIMENTATION HARNESS	
4	143411	BT / SVE01 HARNESS	
5	143103/1	SVE01-CAPACITIVE DIRECT SEL. KEYBOARD HARNESS	
5	143009/1	SVE01-KEYBOARD HARNESS	
6	143431	COIN RETURN MOTOR HARNESS	
7	144166	DISPLAY HARNESS	
8	143908	FLAP SVE01 HARNESS	
9	141427	HARNESS SUPPLY/EXECUTIVE COINAGE	
10	141077	FLAP DOOR MICRO-SWITCH HARNESS	
11	143927	CO2 PROBE HARNESS	
12	143937	CO2 TRANSFORMER BOX / CONTROL UNIT HARNESS	
13	141651	COMPRESSOR EXTENSION SOCKET HARNESS	
14	143109	CO2 CAPACITOR / STARTING HARNESS	
15	143108	CO2 COMPRESSOR POWER HARNESS	
16	143107	CO2 MOTORFAN CONDENSER HARNESS	
17	141704/1	HARNESS RS-150-24/REG.TENS.	
18	141036	DRAWER - CABINET HARNESS	
19	143372	GROUND WIRE (DOUBLE)	
20	141192	MINIF./SUMIKO INTERFACE HARNESS	



Pos	Code	Description	Serial Number Nota
1	400771	PLASTIC BOX	
2	400773	KEY	
3	400772	COIN BOX	
4	138546	LOCK WITH DOOR ASSY	
5	333097/2	POP RIVET	
6	395336	HINGE	
7	123785...	LOCK WITH KEYS	Pls. Specify lock / key code
8	401075	FLAP DOOR	
9	391404	LOCK LEVER	
10	371110/12	TAPPING SCREW TC+ 4MAX12	
11	V800569	SCREW TC+ 4,8x6,5	
12	401255	SAFEGUARD FUNNEL	
13	401256	SAFER SYSTEMS FUNNEL	
14	401257	COIN CONVEYOR	
15	395159...	SAFEGUARD COIN BOX	Pls. specify code or customer name
16	333097/2	POP RIVET	
17	391642...	HONOR GARD LOCK	Pls. specify code or customer name
18	391641...	HONOR GARD COIN BAG SUPPORT	Pls. specify code or customer name
19	401250	PLATE H.G.	
20	391640...	HONOR GARD BAG	Pls. specify code or customer name
21	397755...	SAFER SYSTEMS COIN BAG	Pls. specify code or customer name



Pos	Code	Description	Serial Number Nota
1	141648	Roller Kit	
2	135078/1	KIT FIXING ON THE WALL	
3	386460	BRKT FOR OUT DOOR	
4	391598	INSERT	
5	130461/1	BRKT REAR WELD ASSY	
6	333097/2	POP RIVET	
7	139218/1	KIT FASTEN TO FLOOR	
8	408028	FASTEN TO FLOOR BRKT	
9	407994	THICKNESS	

REV. REV. REV. REV.	DATA REV. REV. DATE DATE REV. DATUM REV.	ECRN ECRN ECRN ECRN	DISEGNI REVISIONATI REVISION DESSIN REVISÈ ÄNDERUNG	PAGINA PAGE PAGE SEITE
000	22/02/2016		Creation manual of spare parts	
001	19/04/2016		Added Plastic FLAP pages	
			Updated Drawer assembly page	
002	01/07/2016	1473	Added New Coin Chute in plastic	
			Added New Return Coin Chute in plastic	
003				
004				
005				
006				
007				
008				
009				
010				