



# Spare Parts Catalogue

## G-Drink 6 Design Line [DC6]

Revision: 003 Date: 01/07/2016



This pdf Manual has been created on the date indicated.  
The latest version (inter-active) is available on web-site [www.sandenvendo.com](http://www.sandenvendo.com) Client Area.  
Thank you



English Version

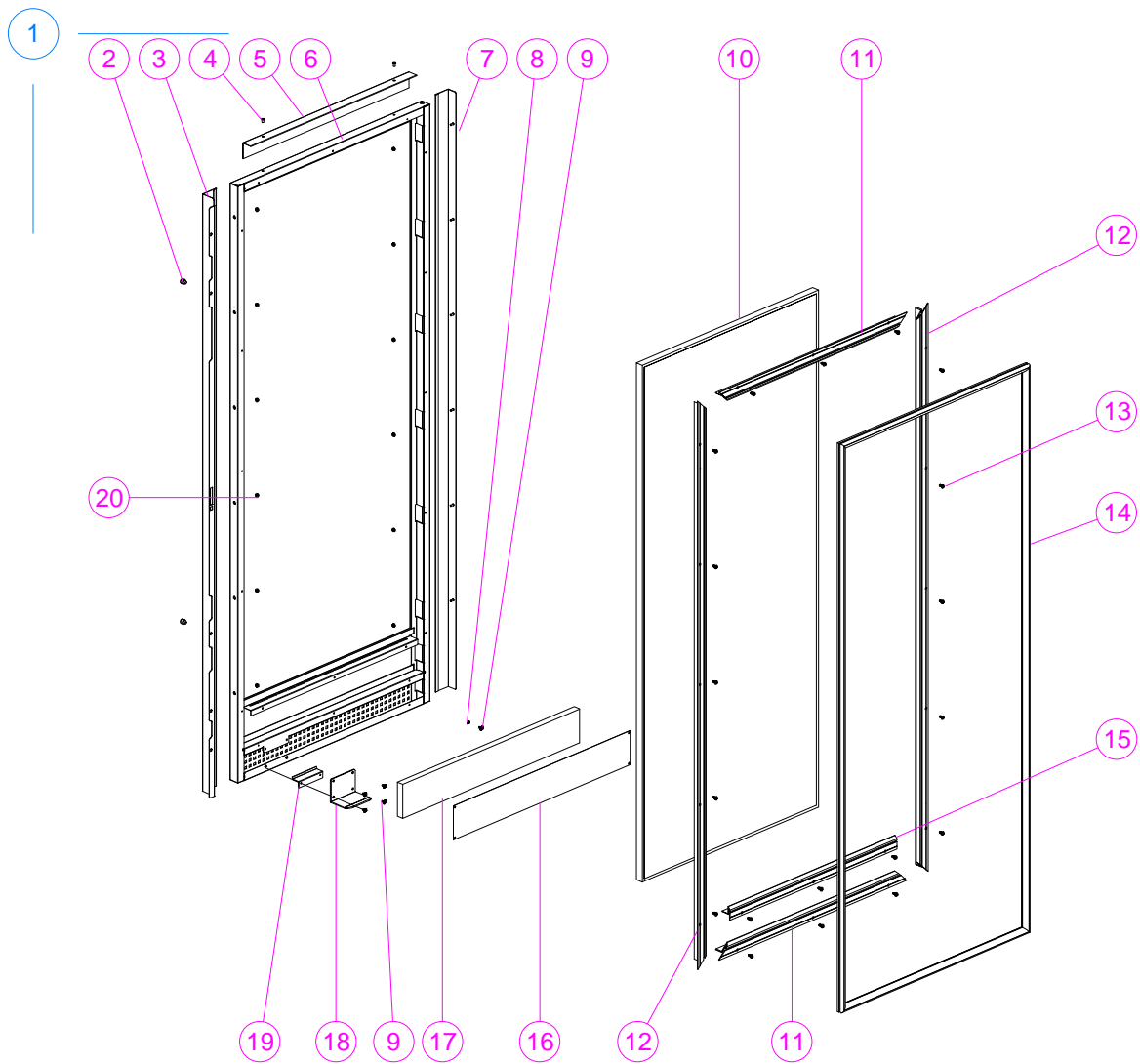


SandenVendo Europe S.p.A. - Regione Cavallino,2 - 15030 Coniolo (AL) - Italy

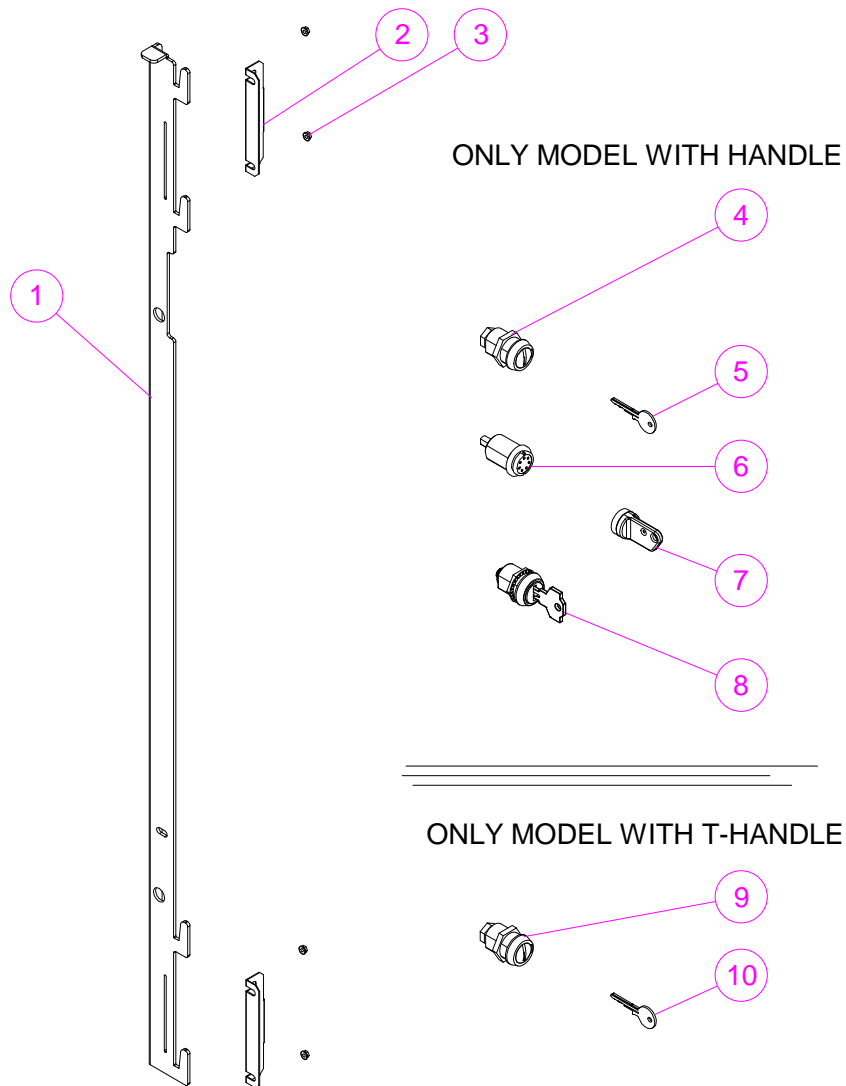
Tel. +39 0142.335119 - Fax +39 0142.562348 - E-mail: [marketing@sandenvendo.it](mailto:marketing@sandenvendo.it) - Web: [www.sandenvendo.com](http://www.sandenvendo.com)

# Index

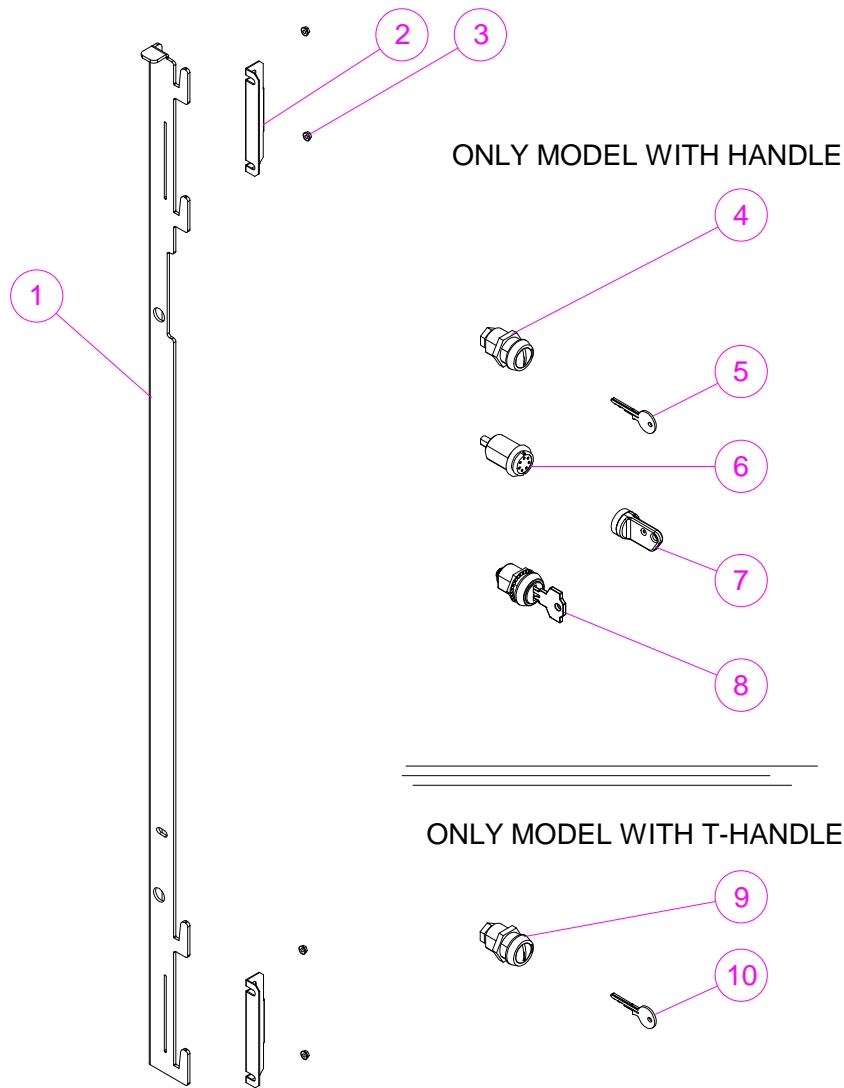
Contents	Page
Door	2
Lock	3-4-5-6-7
Cabinet	8 - 9 - 10
Control Panel Box	11
STD Coin Insert	12 - 13
SCI Coin Insert	14 - 15
T-Handle Coin Insert	16 - 17
Display Panel	18 - 19
STD Coin Insert Panel	20 - 21
SCI Coin Insert Panel	22 - 23 - 24
Plug - Collar - Window	25
Control Panel	26
Drawer Unit	27 - 28
Prdouct Exit - Plastic FLAP	29 - 30
Plastic FLAP - Components	31 - 32
Prdouct Exit - Metal FLAP	33 - 34
Metal FLAP - Components	35 - 36
Tray	37 - 38
Mechanism	39
Y Unit Assy	40
X Movement	41 - 42
Bucket Assy	43
Box Transformer	44 - 45
Refrigerant Unit	46 - 47 - 48
CO2 Refrigerant Unit	49 - 50
Electrical diagram 1/2	51 - 52
Electrical diagram 2/2	53
Electrical diagram CO2	54 - 55
Coin Box	56
Various Kit	57
Revision	58



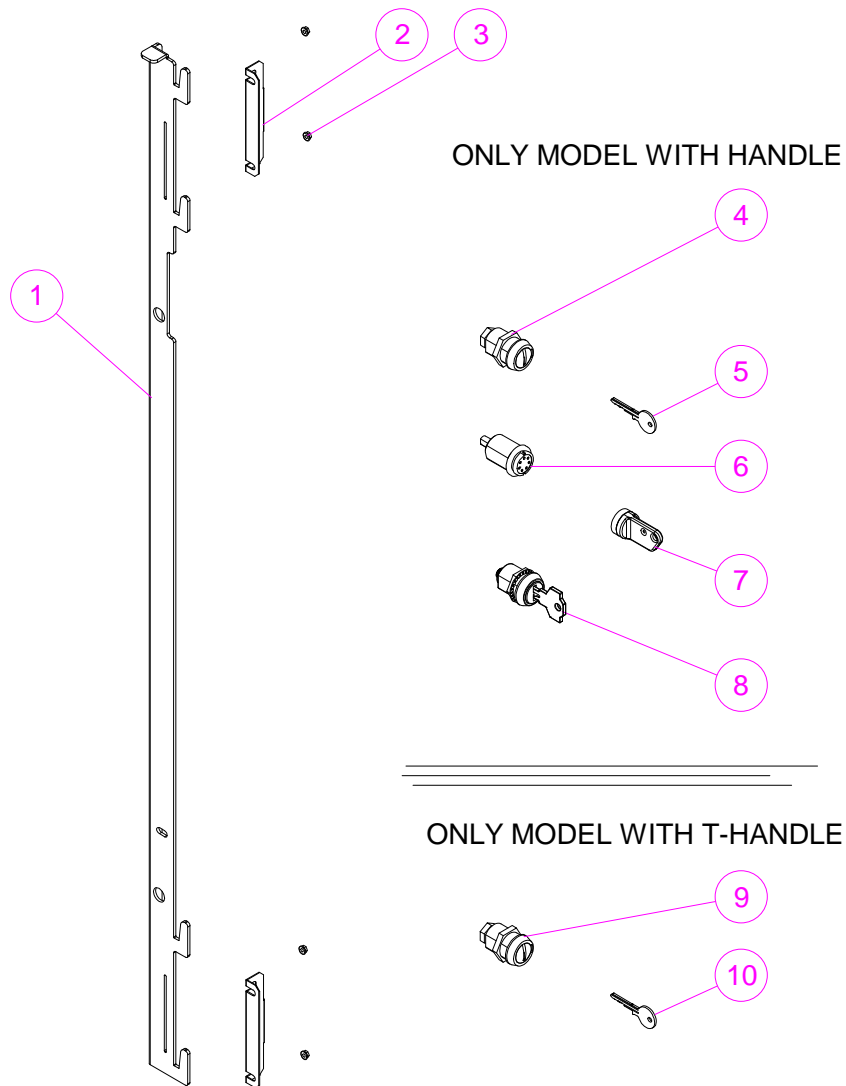
Pos	Code	Description	Serial Number Nota
1	143896/1	DV6 DOOR ASSY	
2	394693	ANTI-SHOCK RUBBER 15/615	
3	143901	RH DOOR PROFILE WELD ASSY	
4	390559	POP RIVET	
5	413330	UPPER - LOWER DOOR PROFILE	
6	143917	DV6 DOOR WELD ASSY	
7	143900	LH DOOR PROFILE WELD ASSY	
8	V801039	WASHER D.E. 4X8	
9	V800570	SCREW T1+4,8X9,5 S.POINT	
10	405796/9	GLASS DL6 1520x663x22	
11	404124/27	GLASS BOTTOM GASKET FRAME	
12	404124/29	LATERAL GASKET PROFILE	
13	V800566	TAPPING SCREW	
14	413420/4	DV6 DOOR GASKET	
15	404124/31	GLASS BOTTOM GASKET FRAME	
16	412793	DV6 REAR PANEL	
17	412794	INSULATING PANEL	
18	411900	LIFTING PLATE HOLDER	000000000 - 2420010875
18	413698	LIFTING PLATE HOLDER	2511000865 - ZZZZZZZZZZ
19	413790	LOWER DOOR BRACKET	
20	398224/1	NUT, FLANGED 4MA MILLED	



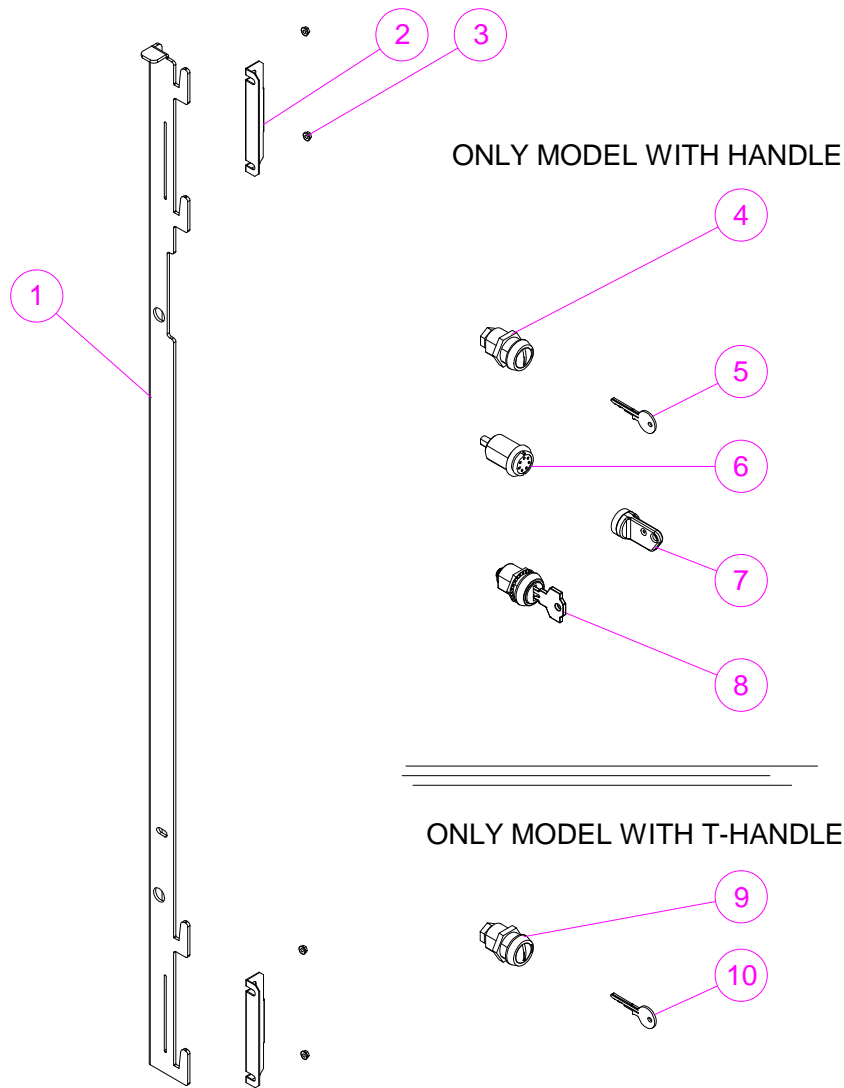
Pos	Code	Description	Serial Number Nota
1	412358	SLIDE ROD	
2	412071	SLIDE ROD RETAINER	
3	398224/1	NUT, FLANGED 4MA MILLED	
4	411746	LOCK RIELDA VENDO MOD.583	
5	408306	SILVER KEY AJSAND VENDO	Only with p/n 411746
6	412238	LOCK LC90RM1	
7	412239	KEY K5KEYM1	Only with p/n 412238
8	412383	LOCK G10B4KA1000 NUMBER 2001	
8	412383/1	LOCK G10B4KD DIFERENT NUMBER	
8	412383/2	LOCK G10B4KA CIF.12027	
8	412383/3	LOCK G10B4KA CIF.16260	
8	412383/4	LOCK G10B4KA CIF.22805	
9	141528	LOCK STS 86220B000313 "K"	
9	386940	LOCK 4255 SINALCO	
9	396103	VAN LOCK 4275 STD COMBINATION	
9	396853	LOCK MOD.4000 CCBI VN010B	
9	398314	LOCK VANAMATIC 4275 PC SWEDEN	
9	398675	LOCK VANAMATIC 4275VST	
9	398744	LOCK GM98 CAMY	
9	399355	LOCK 4275M1 CC SWITZERLAND BLACK	
9	399518	LOCK VANAMATIC PC POLONIA	



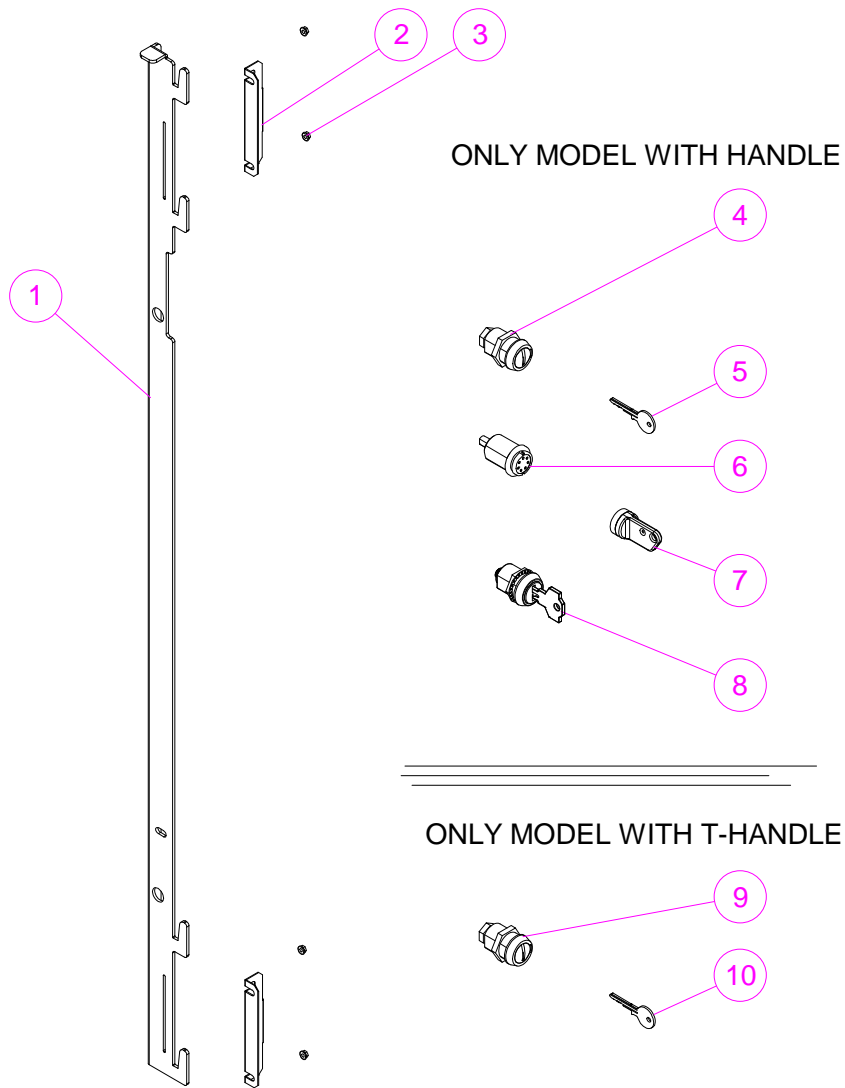
Pos	Code	Description	Serial Number Nota
9	400633	LOCK 4275 M1 PEPSI KAZAK.	
9	405858	LOCK RIELDA MOD.4000 BIAN	
9	406516	LOCK S-RTA-000	
9	407676	LOCK KASIAOURIS CIPRO #1	
9	412920	LOCK RTA-0000 VENDARE	
9	123785...	LOCK WITH KEYS	
9	368688...	LOCK (SPECIFY CODE)	
9	369658...	LOCK (ADD KEY NO. TO BASIC P/N)	
9	141528/1	LOCK STS 86220BP00313 "P"	
9	396103/1	VAN LOCK 4275 LIGHT BLUE	
9	396103/3	LOCK GATORADE 4255FM1 LUN	
9	396103/4	LOCK VANAMATIC 4255FV LUN	
9	396853/1	LOCK 4000 AUTOBAR	
9	398314/10	LOCK MASTER 4275 PC MAST. RUSS.	
9	398314/11	LOCK 4275 CC SWITZERLAND EAST	
9	398314/12	LOCK 4275 CC SWITZERLAND WEST	
9	398314/13	LOCK 4275 CC SWITZERLAND CENTRer	
9	398314/2	LOCK MASTER 4275 FORMTR.MOSCOW	
9	398314/3	LOCK MASTER 4275 PC MOS.ORANGE	
9	398314/4	LOCK MASTER 4275 PC MOSC.PURPL	
9	398314/5	LOCK MASTER 4275 PC MOSC.BROWN	



Pos	Code	Description	Serial Number Nota
9	398314/7	LOCK VANAMATIC 4275 CC GREECE	
9	398314/8	LOCK VANAMATIC 4275 NESTLÈ GRE	
9	398314/9	LOCK VANAMATIC 4275 GULFA	
9	398675/1	LOCK VANAM. 4275 PC MASTER	
9	398675/2	LOCK VANAMATIC NOVOSIBORS	
9	398675/4	LOCK VANAMATIC ST.PETERSB	
9	398675/5	LOCK VANAMATIC VLADIVOSTO	
9	398675/6	LOCK VANAMATIC KRASNOYARS	
9	398675/7	LOCK VANAM.4275 CC KENIA	
9	398675/8	LOCK VANAM.4275 CC KAZAN	
9	405858/1	LOCK RIELDA MOD.4000 VEND	
9	405858/2	LOCK CC GMBH 4000	
9	408707/5	LOCK LC90 REPUBLIC TURCHIA	
10	319582	WHITE KEY K5 VAN LOCK	
10	386941	KEY ORANGE K5 SINALCO	
10	394071	KEY GATORADE K5KEYM1	
10	394823	KEY VANAMATIC K5KEYV	
10	398315	KEY VANAMATIC PEPSI SWEDEN	
10	398743	KEY GM98 CAMY	
10	399356	KEY MASTER CC SWISS ORANGE	
10	399519	KEY VANAMATIC PC POLONIA	

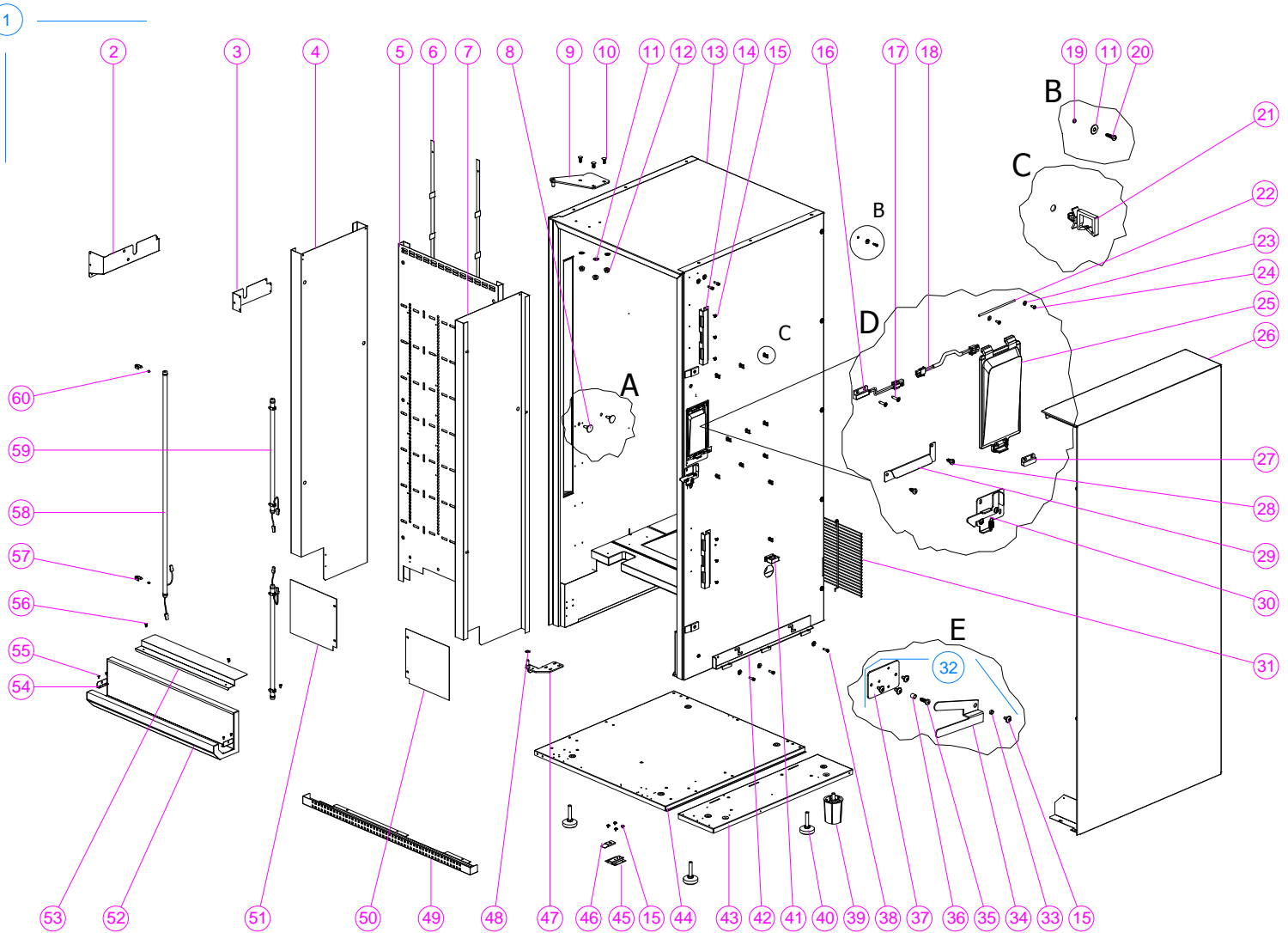


Pos	Code	Description	Serial Number Nota
10	400634	KEY DARK BLUE PEPSI KAZAK.	
10	406518	KEY S-RK25-000	
10	407677	KEY # 1 YELLOW	
10	408306	SILVER KEY AJSAND VENDO	
10	408307	GOLD KEY AJSAND VENDO	
10	412921	DOORLOCK VENDARE	
10	346118...	KEY (SPECIFY CODE)	
10	371126...	KEY (SPECIFY CODE)	
10	319582/1	LIGHT BLUE KEY	
10	346118...	KEY (SPECIFY CODE)	
10	396854/1	KEY RIELDA AUTOBAR	
10	398315/10	KEY MASTER PC RUSSIA	
10	398315/11	KEY VANAMATIC CC KENIA	
10	398315/12	KEY VANAMATIC CC KAZAN	
10	398315/2	KEY MASTER FORMTRADE MOSCOW	
10	398315/3	KEY PEPSI MOSCA ORANGE	
10	398315/4	KEY PEPSI MOSCA PURPLE	
10	398315/5	KEY PEPSI MOSCA BROWN	
10	398315/7	KEY VANAM.CC GREECEVL703100	
10	398315/8	KEY VANAMATIC NESTLÉ GRECIA	
10	398315/9	KEY VANAMATIC GULFA	

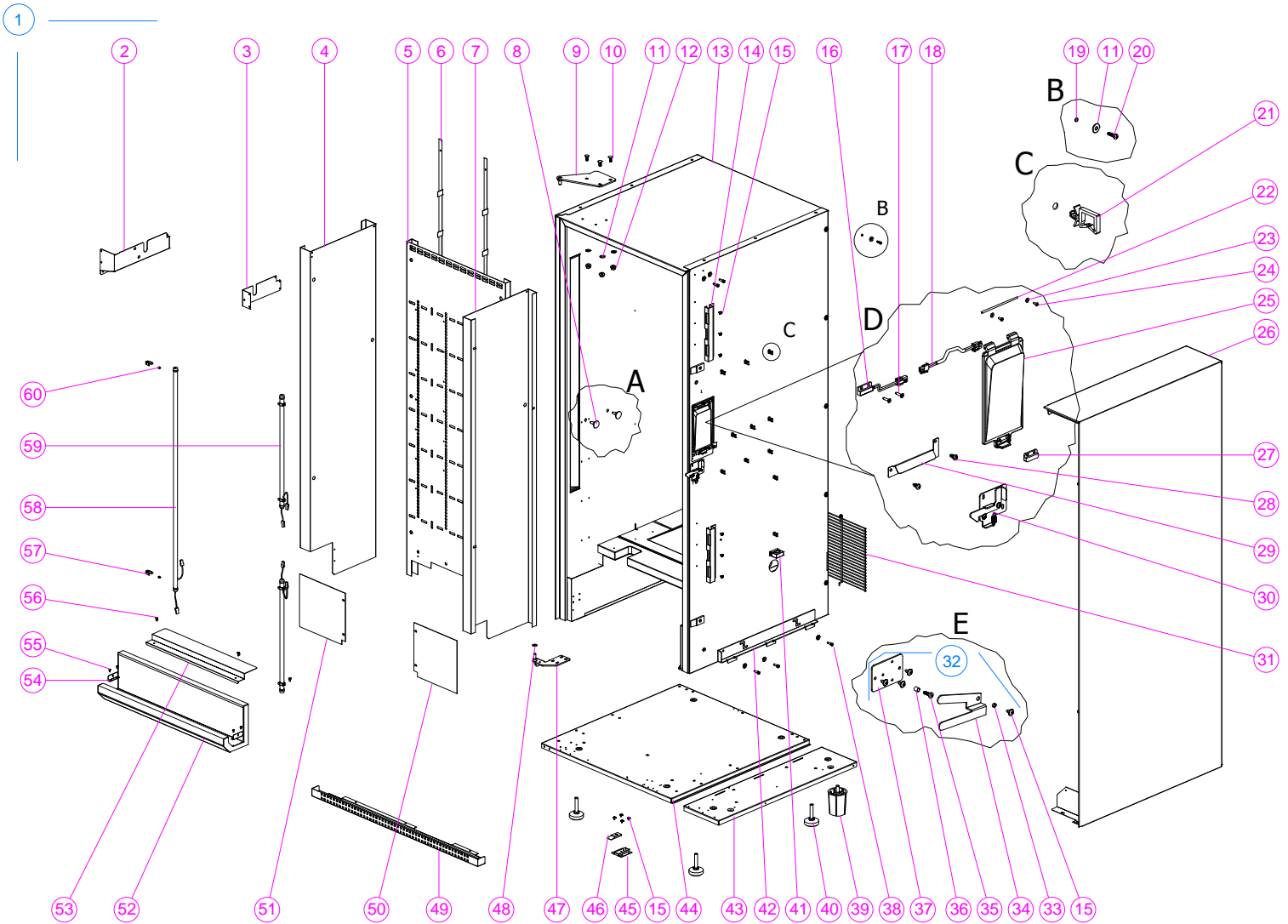


Pos	Code	Description	Serial Number Nota
10	408306/1	SILVER KEY AJ905H CC GERM	
10	408708/4	KEY CC SVIZZERA BIANCA E1	
10	408708/5	KEY CC SVIZZERA ROSSA W1	
10	408708/6	KEY CC SVIZZERA VERDE C1	
10	408708/7	KEY K5 REPUBLIC TURCHIA	

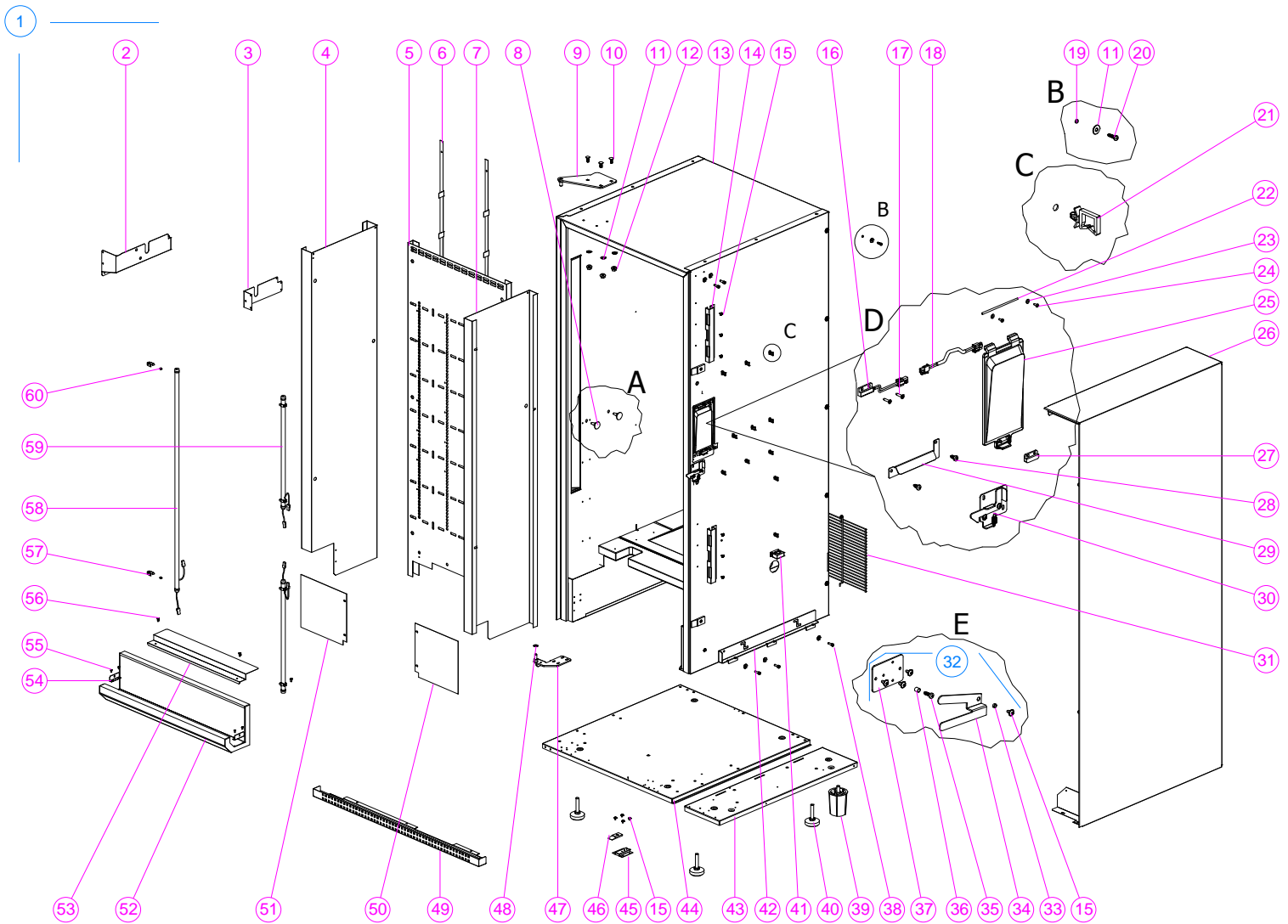




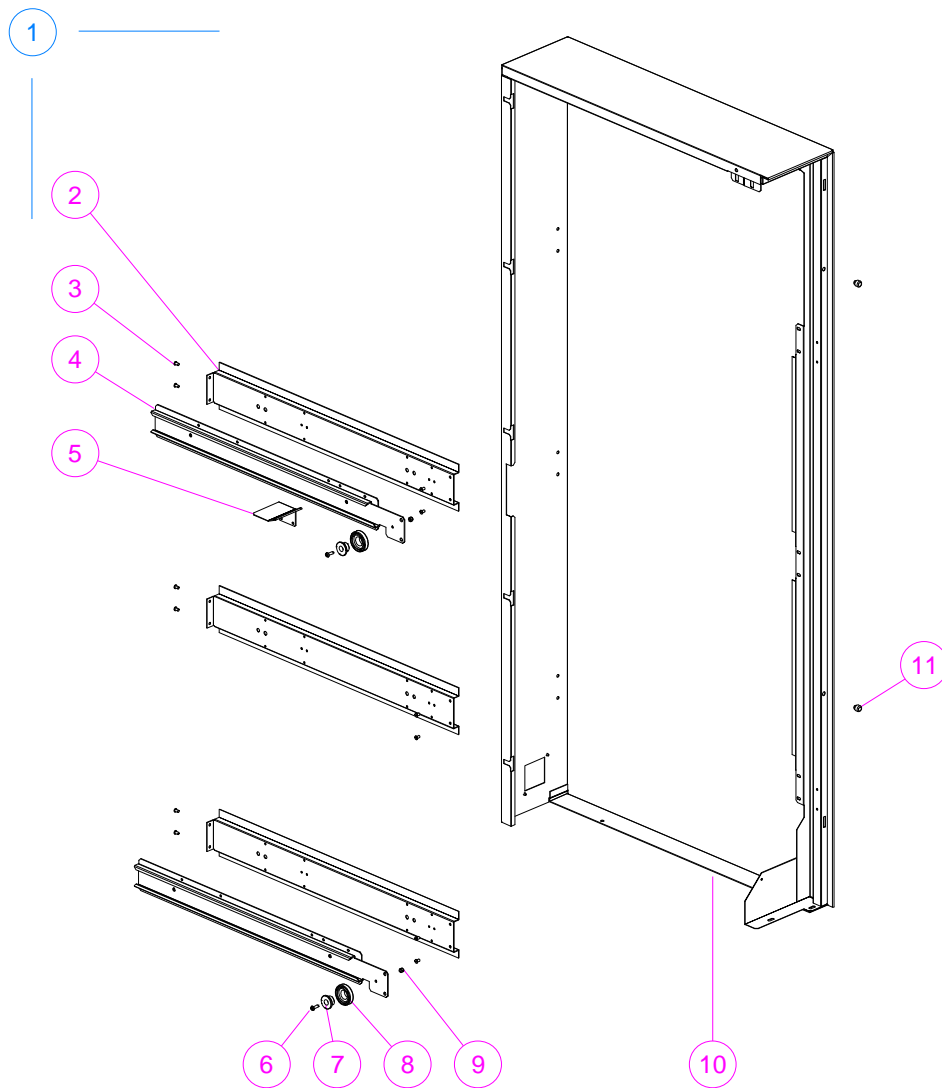
Pos	Code	Description	Serial Number Nota
1	143911/1	DC6 CABINET ASSY	
2	413441	LH COVER Y UNIT	
3	413440	RH COVER Y UNIT	
4	408413	LH SIDE	
5	408560	AIR CHANNEL	
6	408103	SPACER AIR CHANNEL	
7	408414	RH SIDE	
8	404306	CANOE CLIPS	
9	143156	TOP HINGE WELD ASSY	
10	386237/1	SCREW TTQST 6MAX20	
11	38148	FLAT WASHER 6X18X1.5	
12	398224/3	NUT, FLANGED 6MA MILLED	
13	143913/1	DC6 CABINET WELD ASSY	
14	411702	LOCK CLOSE BRKT	
15	V800570	SCREW T1+4,8X9,5 S.POINT	
16	138076	WIRED SENSOR	
17	393394/1	SCREW TSP+ 3,5x16	
18	141077	FLAP DOOR MICRO-SWITCH HARNESS	
19	386067/2	SPACER	
20	392337	SCREW 4,8x22	
21	408828	CABLE FASTNER	



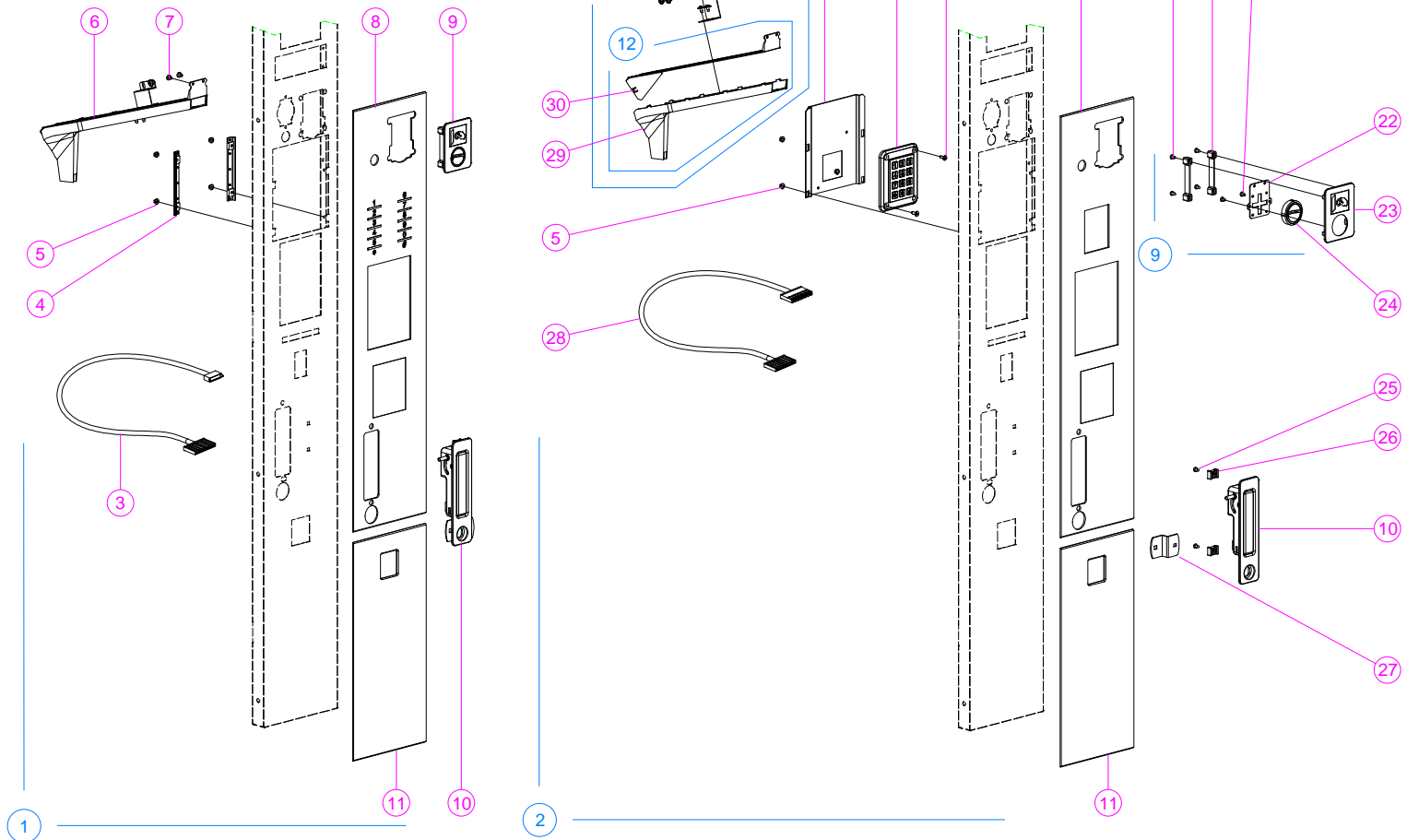
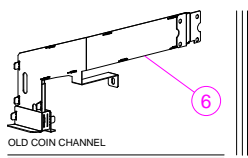
Pos	Code	Description	Serial Number Nota
22	386662/15	ROD Ø3	
23	V801440	WASHER	
24	381603/14	SCREW TC+ 2,9X9,5 LARGE HEAD	
25	143026	DELIVERY EYELET DOOR ASSEMBLY	p/n 408907 + p/n 407974
25	408907	PRODUCT EYELET DOOR	
26		Control Panel Box	Pag. 11
27	407974	MAGNET P6250000 (CELDUC)	
28	V800566	TAPPING SCREW	
29	411309	CHUTE	
30	143813	WINDOW CLOSURE ASSEMBLY	
31	137779/12	BACK PROTECTION GSF	Not included in the assembly
32	144413	STOP LEVER DRAWER ASSY	
33	386067/5	SPACER 5X7X2.5	
34	413567	STOP LEVER DRAWER	
35	V800874	SCREW T1+4,8X16 S.POINT	
36	386067/1	SPACER IRON 5x7x12.5	
37	410129	PLATE FOR HOOK CLOSURE	
38	412348	SCREW TCEI 6MAX20	
39	403897	LEVELLING SCREW M12 (BIG FOOT)	Not included in the assembly
40	386804	LEVELLING SCREW	
41	394529	CABLE FIX OBO Ø18-30	



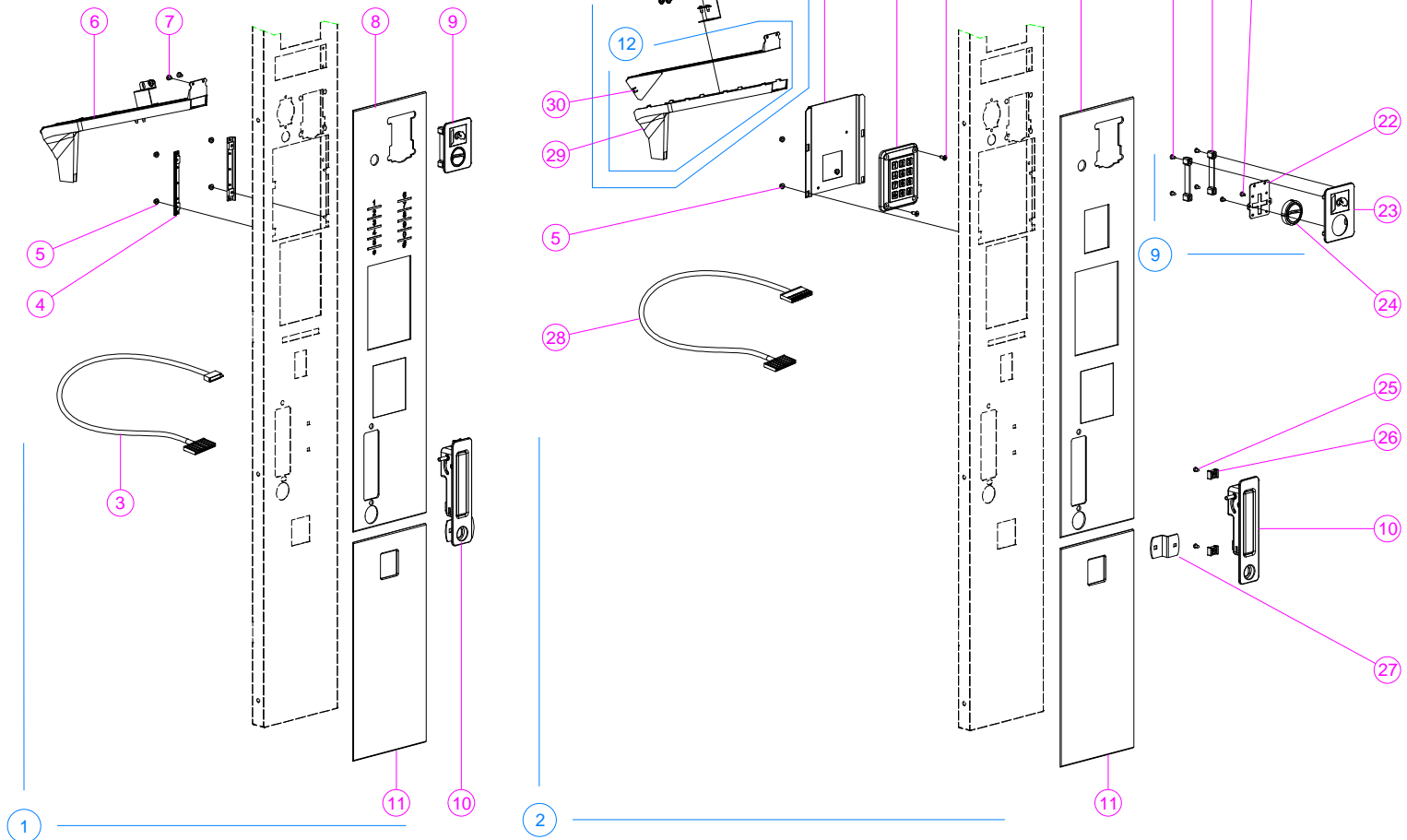
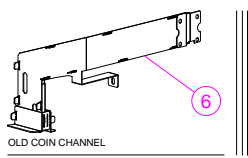
Pos	Code	Description	Serial Number Nota
42	410739	BASE BLOCKING BRACKET	Not included in the assembly
43	144449	DRAWER CABINET BASE WELD ASSY	Not included in the assembly
44	143600/1	DC6 CABINET BASE WELD ASSY	
45	412762	CHUTE LIFT DOOR SUPPORT	
46	396124	PLASTIC CHUTE	
47	143902	BOTTOM HINGE WELD ASSY	
48	347082	WASHER	
49	412771	LOWER DOOR CARTER	Not included in the assembly
50	413808	RH REFRIGERANT UNIT COVER	
51	413809	LH REFRIGERANT UNIT COVER	
52	143756/1	BULKHEAD CRADLE FOAMING ASSY	
53	407921	REFRIGERANT UNIT COVER	
54	406623/1	ELEVATOR FASTENER	
55	V800622	TAPPING SCREW	
56	390139	SCREW TTFR+ 4,2X13	
57	402698	CLIP Ø16	
58	407742/2	LED TUBE 986mm	
59	407742/3	LED TUBE 501mm	
60	392750	SCREW TC+ 4,2X 6,5	



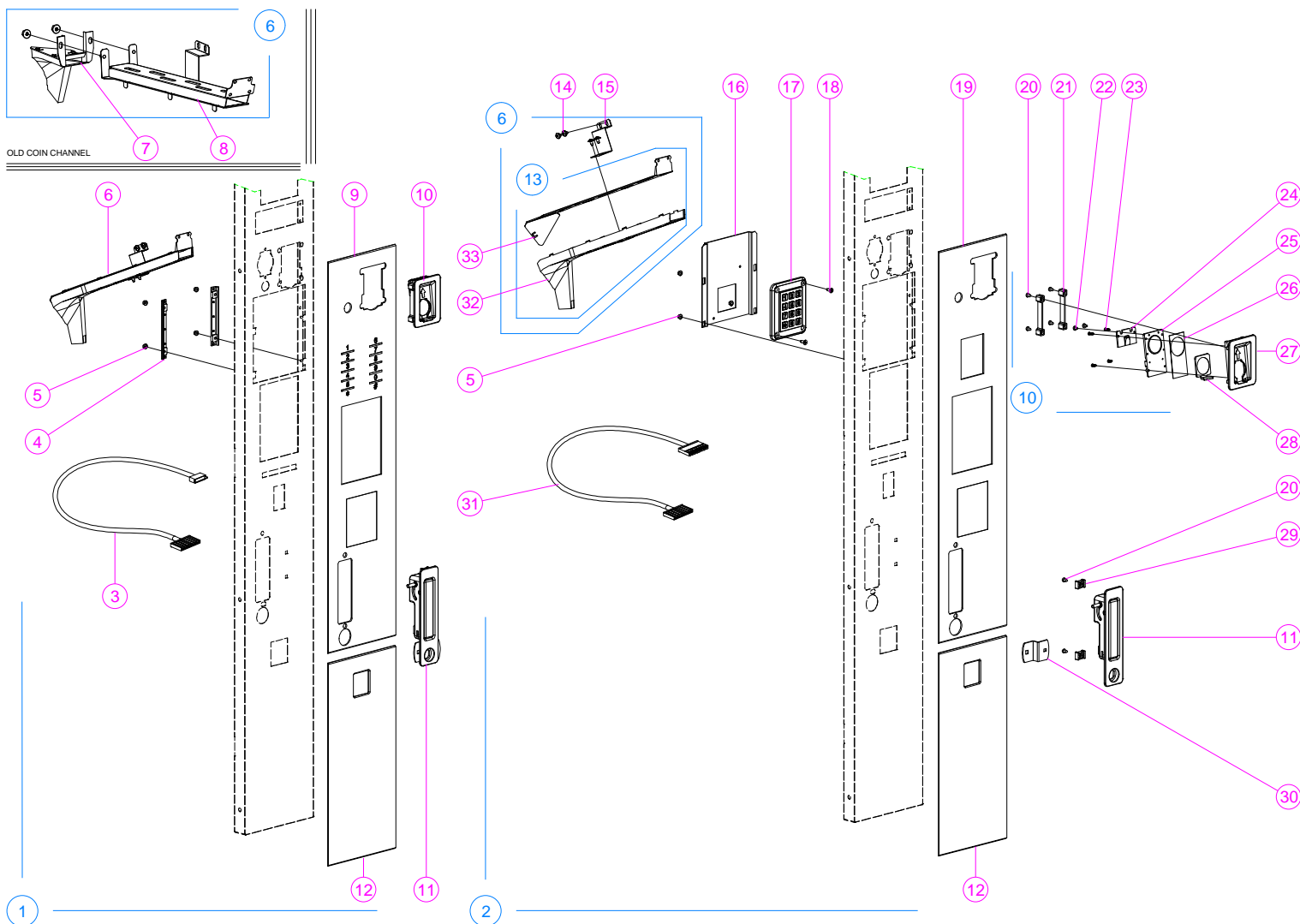
Pos	Code	Description	Serial Number Nota
1	143198	EXTERNAL CABINET ASSEMBLY	
2	407981	HORIZONTAL INNER REINFORCE	
3	390559	POP RIVET	
4	143438	SLIDE-WAY DRAWER ASSEMBLY	
5	411707/1	SWITCH ACTUATOR	0000000000 - 2412002224
5	411707/2	SWITCH ACTUATOR	2417008472 - zzzzzzzzzz
6	381290/2	SCREW TC+ 5MAX15	
7	411207	SCROLL WHEEL INSERT	
8	411660	WHEEL DRAWER SCROLL	
9	390058/2	SELF-BLOCKING NUT 5MA	
10	143305	EXTERNAL CABINET WELD ASSEMBLY	
11	394693	ANTI-SHOCK RUBBER 15/615	



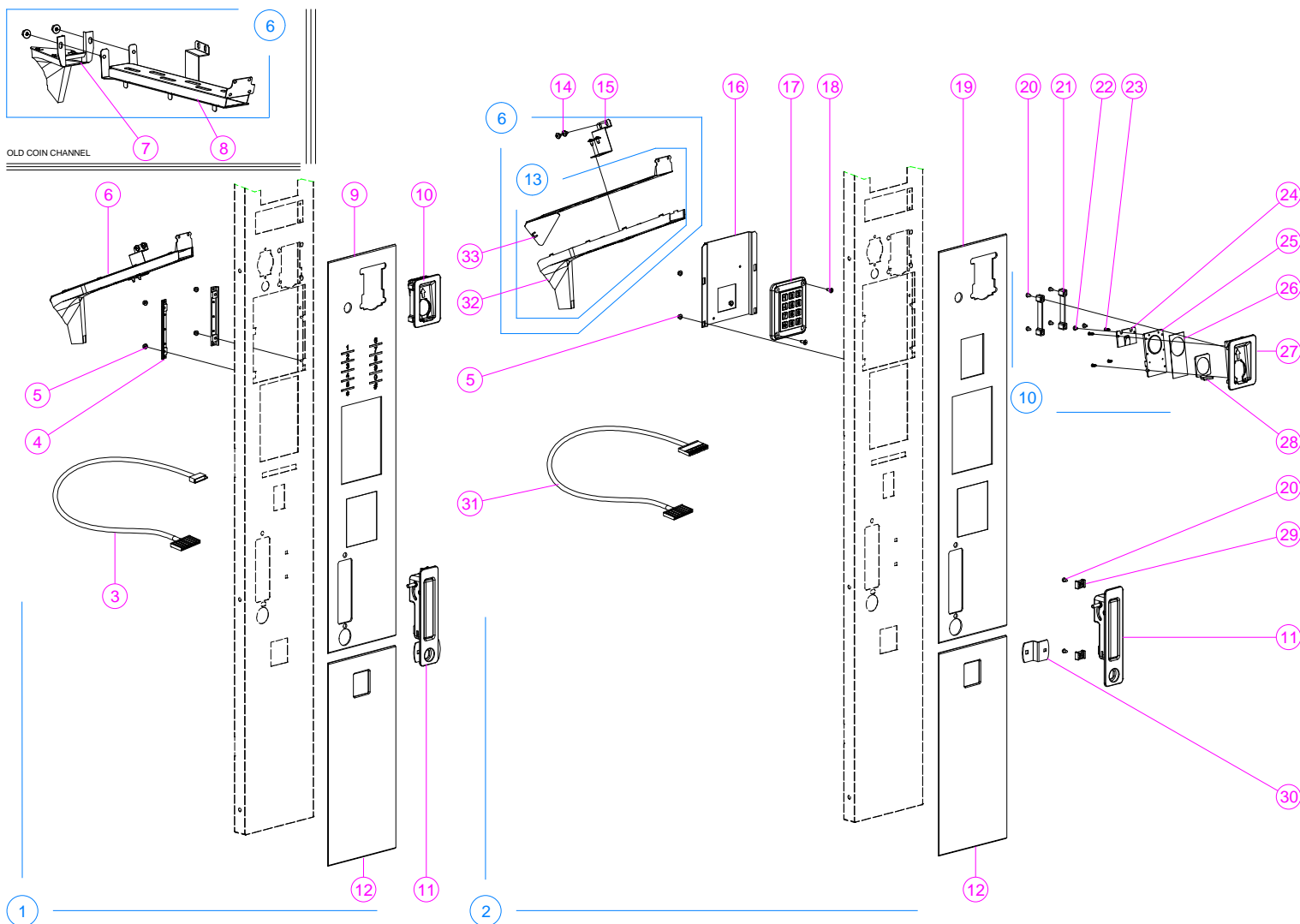
Pos	Code	Description	Serial Number	Nota
1	144475	IC CAPACITIVE STD-KEYBOARD COIN INSERT		
2	144475/2	IT STD - KEYBOARD COIN INSERT		
3	143103/1	SVE01-CAPACITIVE DIRECT SEL. KEYBOARD HARNESS		
4	408653	KEYBOARD RETAINER		
5	398224/1	NUT, FLANGED 4MA MILLED		
6	143664	COINS CHANNEL ASSY	000000000 - 2615005615	
6	142095	COINS CHANNEL ASSY	2616006543 - ZZZZZZZZ	Check if you have the last revision of the p/n 412392
7	V800569	SCREW TC+ 4,8x6,5		
8	143130/2	NUMERIC SELECTION PANEL DL		
9	143672	STD COIN INSERT ASSY		
10	143650	CLOSURE DOOR ASSY		
11	412763	PANEL, COIN RETURN SILKSCREEN PRINT		
12	142034	PLASTIC COINS CHANNEL ASSY		P/N 413866 + P/N 413877
13	V800570	SCREW T1+4,8X9,5 S.POINT		
14	412514	COINS CHANNEL BRAKET		
15	412411	TELEPHONE KEYBOARD SUPPORT		
16	412731	EOZ KEYBOARD		
17	404622/1	SCREW TSP+ 4,8x13		
18	411217/3	TELEPHONE KEYBOARD PANEL		
19	V800611	SCREW 4,2x9,5		
20	412476	DOUBLE FIXING SUPPORT		



Pos	Code	Description	Serial Number Nota
21	V800565	SCREW T1+4,2X6,5 S.POINT	
22	412392	COIN INSERT FLANGE	
23	412322	STD COIN INSERT	
24	412213	STD COIN INSERT MODULE	
25	V800611	SCREW 4,2x9,5	Included in the p/n 143650
26	412476/1	SINGLE FIXING SUPPORT	Included in the p/n 143650
27	412273	LOCK LEVER	Included in the p/n 143650
28	143009/1	SVE01-KEYBOARD HARNESS	
29	413866	COIN CHANNEL	Included in the p/n 142034
30	413877	COIN CHUTE COVER	Included in the p/n 142034

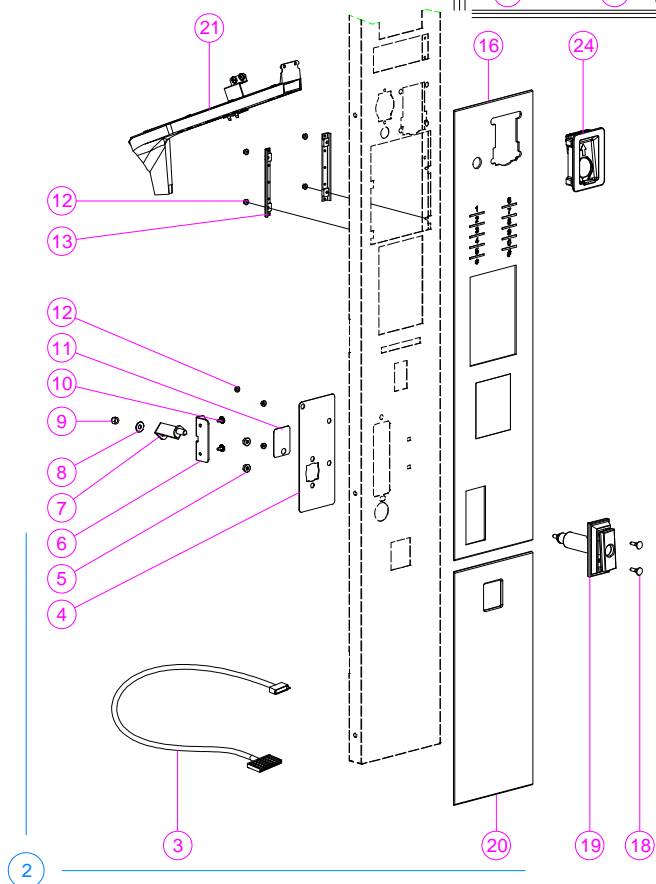
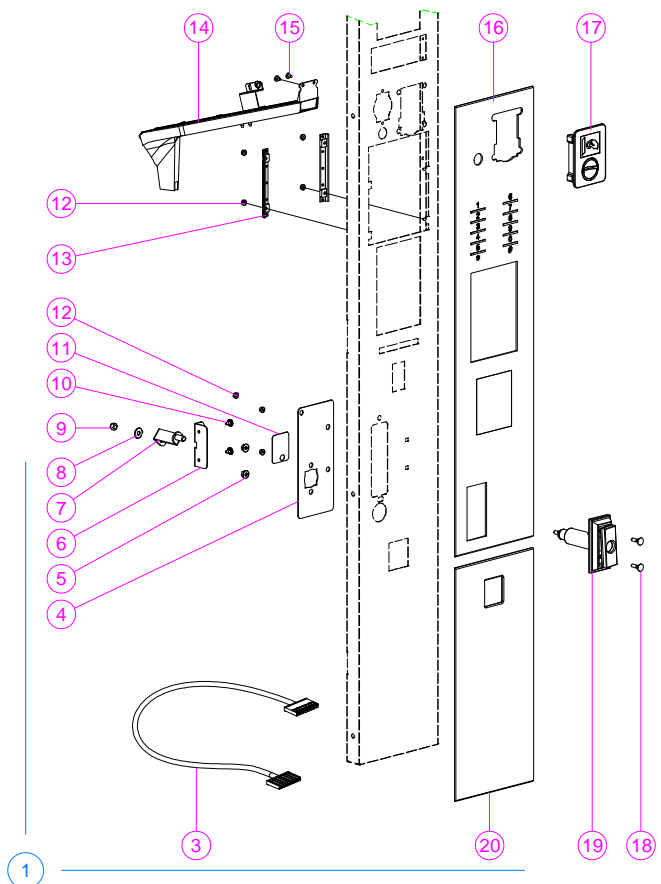
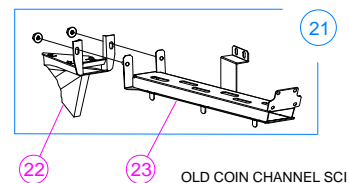
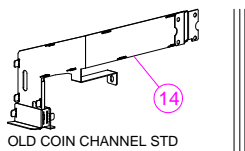


Pos	Code	Description	Serial Number Nota
1	144475/1	SC CAPACITIVE SCI-KEYBOARD COIN INSERT	
2	144475/3	ST SCI - KEYBOARD COIN INSERT	
3	143103/1	SVE01-CAPACITIVE DIRECT SEL. KEYBOARD HARNESS	
4	408653	KEYBOARD RETAINER	
5	398224/1	NUT, FLANGED 4MA MILLED	
6	143763	COINS CHANNEL ASSY	000000000 - 2615005615
6	142095	COINS CHANNEL ASSY	2616006543 - zzzzzzzzz
7	139888	SLIDE COIN CHUTE ASSY	000000000 - 2615005615
8	143765	COINS CHANNEL ASSY	000000000 - 2615005615
9	143130/2	NUMERIC SELECTION PANEL DL	
10	143597	SLIDE COIN INSERT ASSY	
11	143650	CLOSURE DOOR ASSY	
12	412763	PANEL, COIN RETURN SILKSCREEN PRINT	
13	142034	PLASTIC COINS CHANNEL ASSY	P/N 413866 + P/N 413877
14	V800570	SCREW T1+4,8X9,5 S.POINT	
15	412514	COINS CHANNEL BRAKET	
16	412411	TELEPHONE KEYBOARD SUPPORT	
17	412731	EOZ KEYBOARD	
18	404622/1	SCREW TSP+ 4,8x13	
19	411217/3	TELEPHONE KEYBOARD PANEL	
20	V800611	SCREW 4,2x9,5	

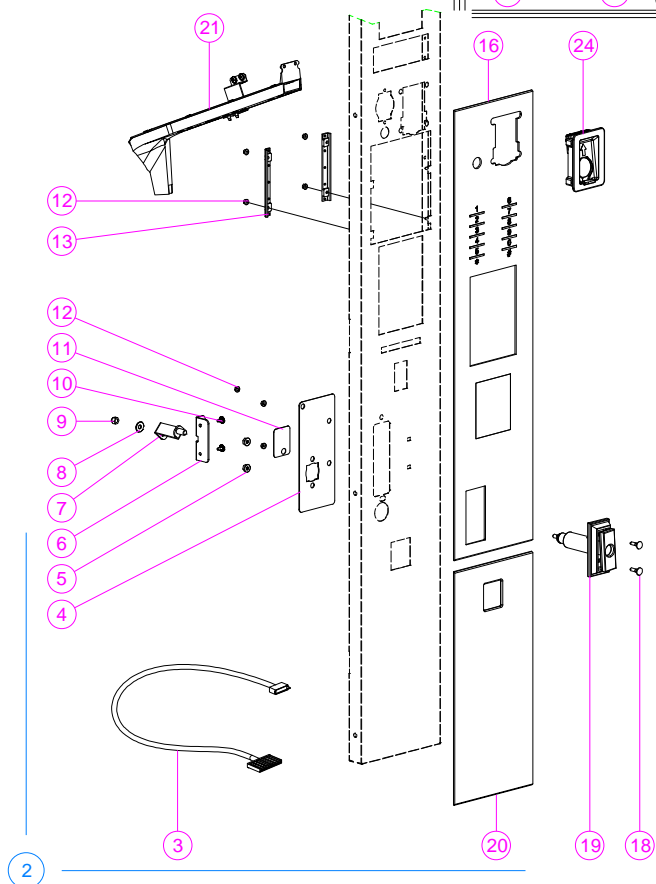
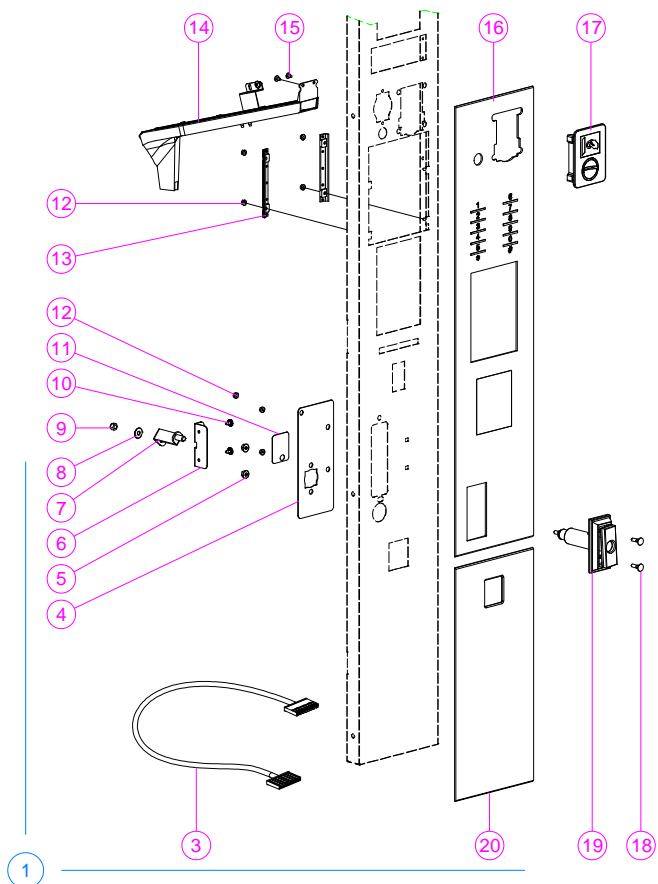
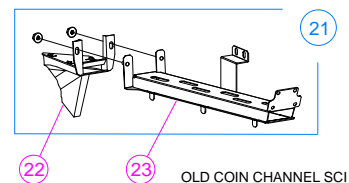
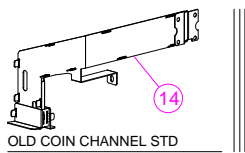


Pos	Code	Description	Serial Number Nota
21	412476	DOUBLE FIXING SUPPORT	
22	V800565	SCREW T1+4,2X6,5 S.POINT	
23	402902/1	SCREW TL PZ CIL 3.5X9	
24	412324	COINS DEFLECTOR	
25	412212	SLIDE COIN INSERT	
26	412326	DRAFT COINS INSERT	
27	412323	SLIDE REAR PLATE	
28	412325	SCROLLING PLATE	
29	412476/1	SINGLE FIXING SUPPORT	Included in the p/n 143650
30	412273	LOCK LEVER	Included in the p/n 143650
31	143009/1	SVE01-KEYBOARD HARNESS	
32	413866	COIN CHANNEL	Included in the p/n 142034
33	413877	COIN CHUTE COVER	Included in the p/n 142034

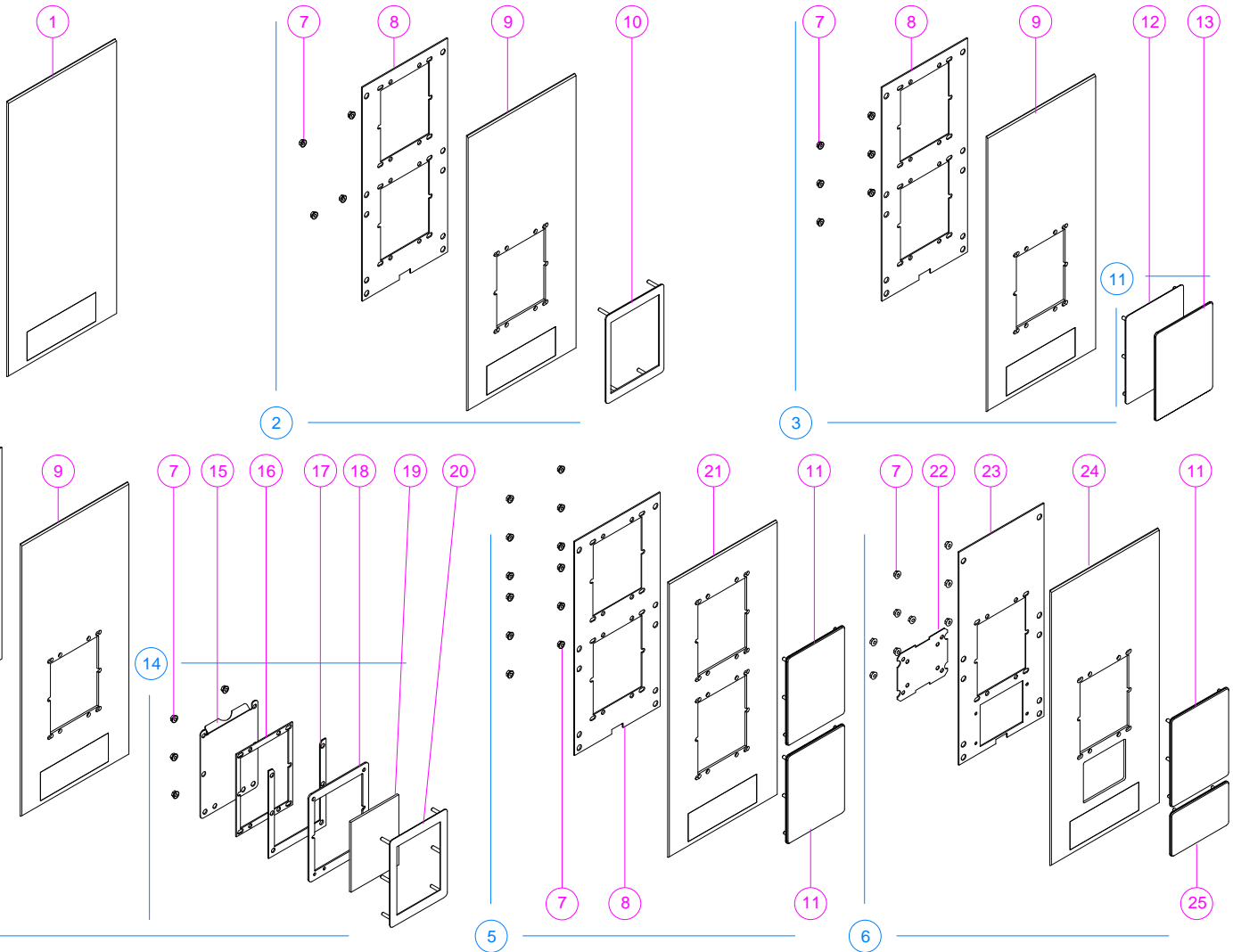




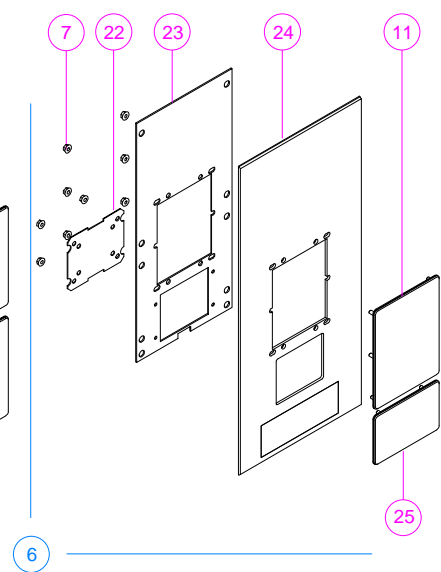
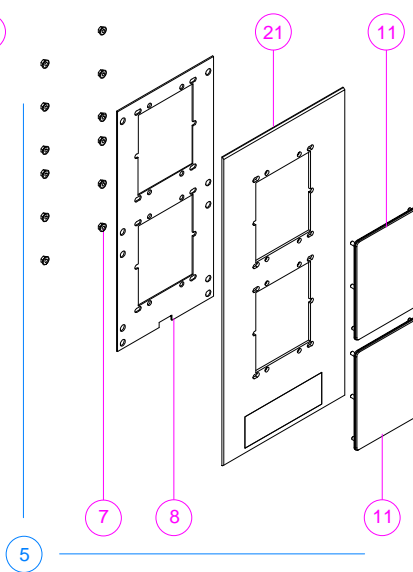
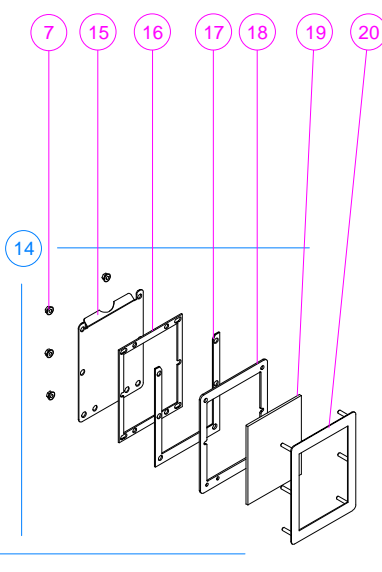
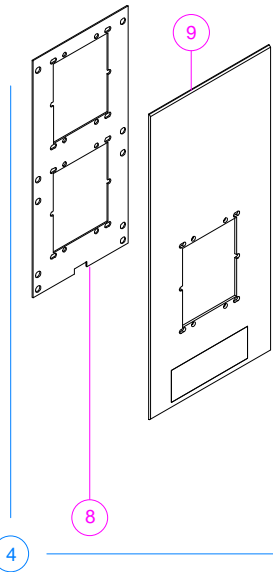
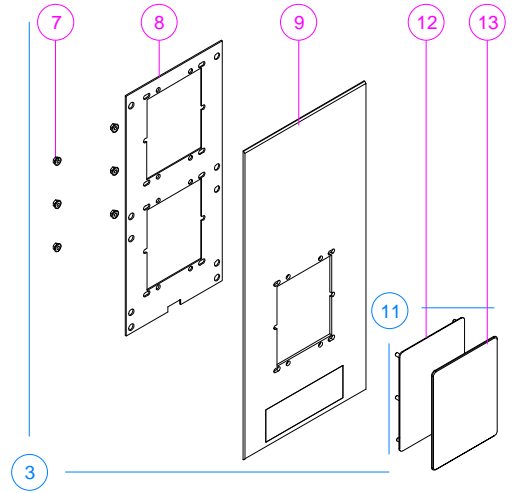
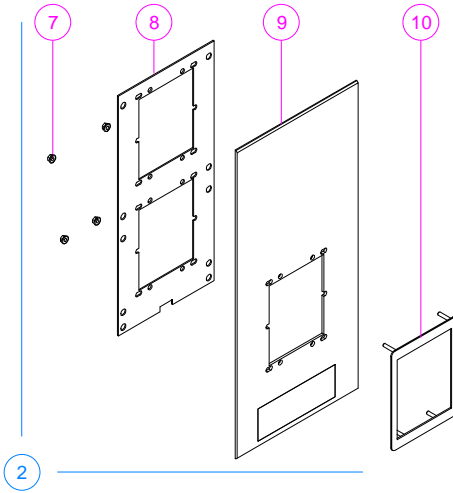
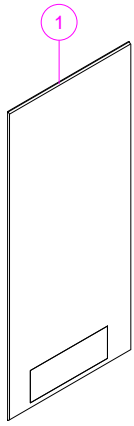
Pos	Code	Description	Serial Number	Nota
1	144475/4	IH T-HANDLE STD - CAPACITIVE COIN INSERT		
2	144475/5	SH T-HANDLE SCI - CAPACITIVE COIN INSERT		
3	143103/1	SVE01-CAPACITIVE DIRECT SEL. KEYBOARD HARNESS		
4	410146	RETAINING T-HANDLE		
5	398224/2	NUT M5		
6	410145	BRACKET LOCK GUIDE		
7	144448	LOCK LEVER RIVET ASSY		
8	38148	FLAT WASHER 6X18X1.5		
9	390058	SELF-BLOCKING NUT M6		
10	V800570	SCREW T1+4,8X9,5 S.POINT		
11	410229	T-HANDLE LOCK SPACER		
12	398224/1	NUT, FLANGED 4MA MILLED		
13	408653	KEYBOARD RETAINER		
14	143664	COINS CHANNEL ASSY	0000000000 - 2615005615	
14	142095	COINS CHANNEL ASSY	2616006543 - 2222222222	Check if you have the last revision of the p/n 412392
15	V800569	SCREW TC+ 4,8x6,5		
16	143130/9	NUMERIC SELECTION PANEL DL		
17	143672	STD COIN INSERT ASSY		
18	375973/1	SCREW M5 X 20		
19	134185/3	DOOR LOCK ASSY		
20	412763	PANEL, COIN RETURN SILKSCREEN PRINT		



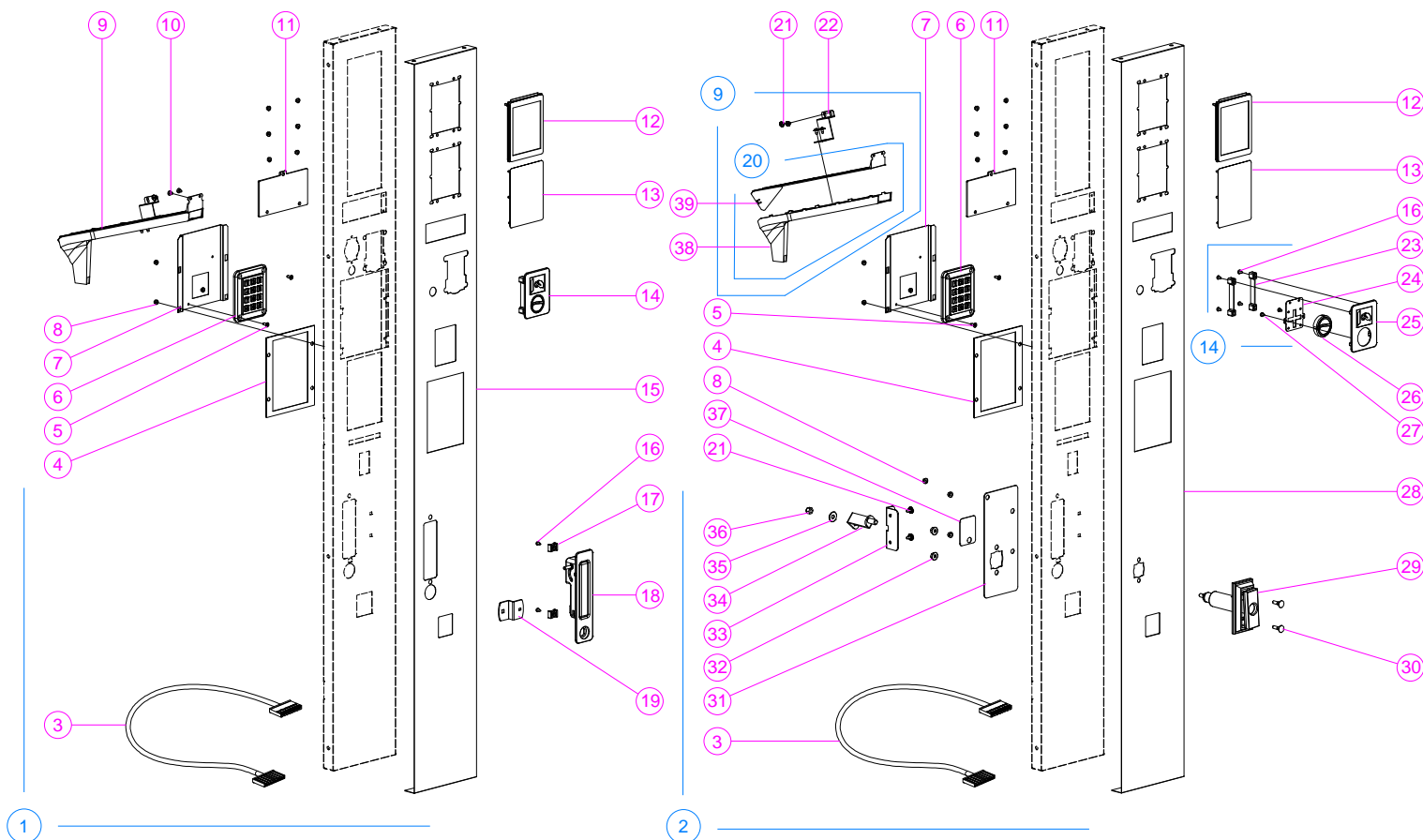
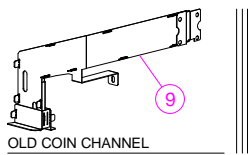
Pos	Code	Description	Serial Number Nota
21	143763	COINS CHANNEL ASSY	0000000000 - 2615005615
21	142095	COINS CHANNEL ASSY	2616006543 - ZZZZZZZZZZ
22	139888	SLIDE COIN CHUTE ASSY	0000000000 - 2615005615
23	143765	COINS CHANNEL ASSY	0000000000 - 2615005615
24	143597	SLIDE COIN INSERT ASSY	



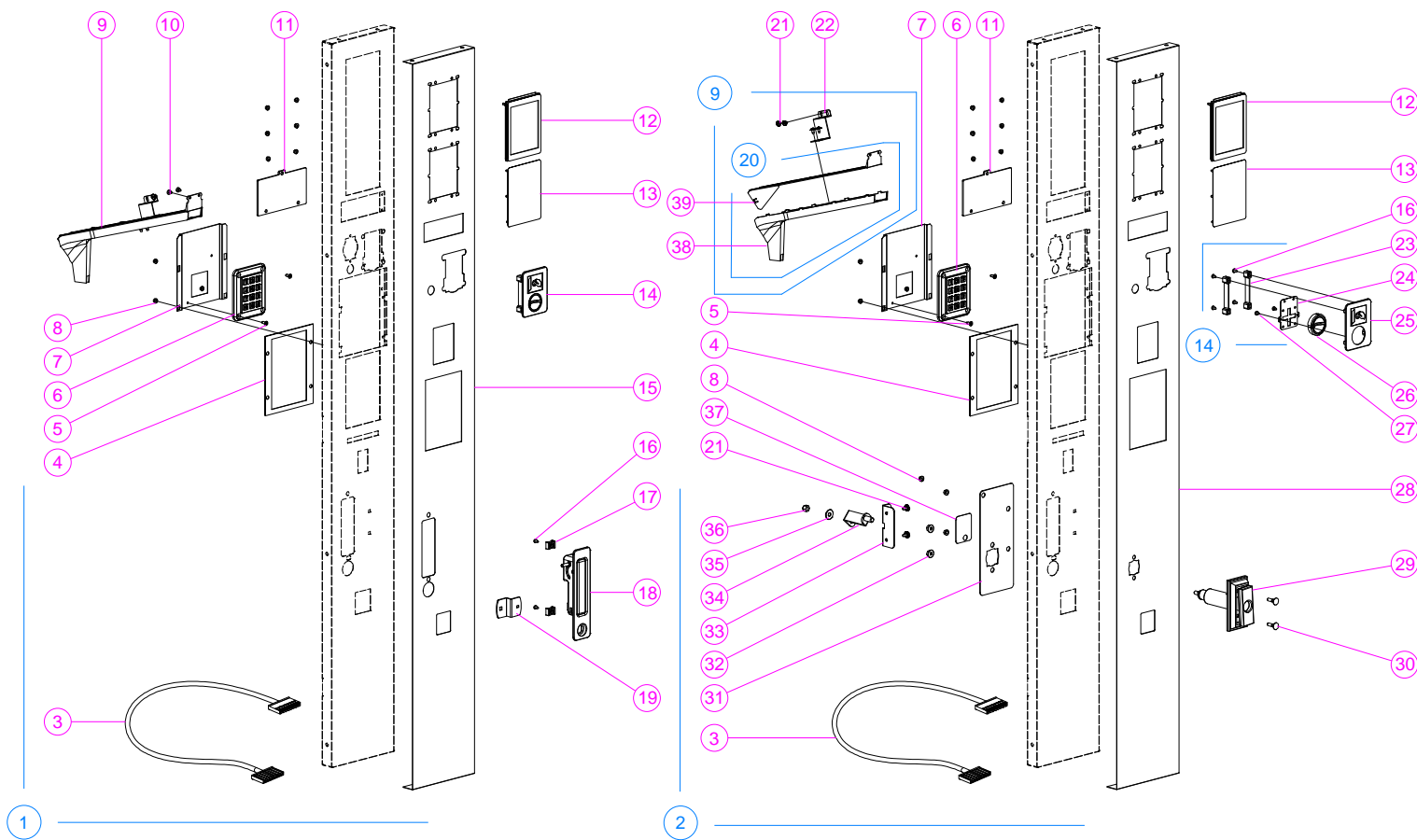
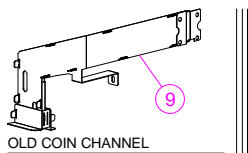
Pos	Code	Description	Serial Number Nota
1	411882	DISPLAY PANEL SILK SCREEN PRINT	
2	143324	DISPLAY PANNEL KIT WITH KEY READER	
3	143324/1	KIT PANEL (UT) DISPLAY + COVER	
4	143324/2	WINDOW + DISPLAY PANNEL KIT	
5	143324/3	2 PLUG + DISPLAY PANNEL KIT	
6	143324/4	KIT DISPLAY PANEL + AGE READER	
7	398224/1	NUT, FLANGED 4MA MILLED	
8	410164	AGE READER PLATE	
9	411925	DISPLAY PANEL SILK SCREEN PRINT	
10	139515	WELDED ASSY COLLAR CVB	
11	143879	COVER HOLE READER ASSY	
12	138859	WELDED ASSY HOLE COVER CVB	
13	412646	COVER HOLE PANEL	
14	137336	INSTRUCTIONS WINDOW ASSY	
15	399049	REAR COVER	
16	413396	WINDOW FRAME	
17	397859	GUIDE	
18	398689	INSULATION	
19	398015	WINDOW PANEL	
20	138862	WINDOW FRAME WELD ASSY	
21	411925/1	DISPLAY PANEL SILK SCREEN PRINT	



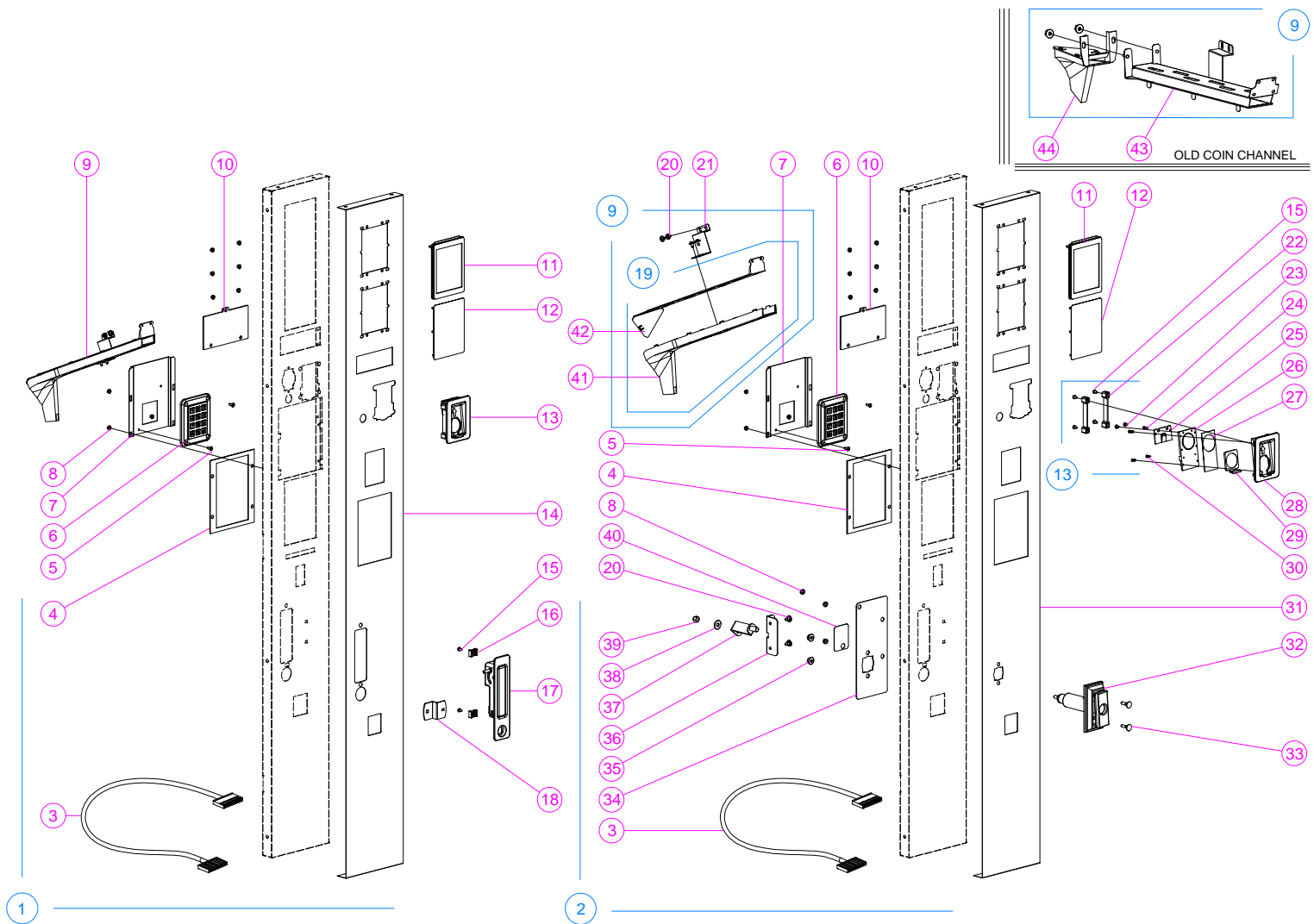
Pos	Code	Description	Serial Number Nota
22	407997	REAR COVER HOLE READER	
23	410163	STD PLATE	
24	411925/2	AGE READER DISPLAY PANEL	
25	142387	AGE READER COVER ASSY	



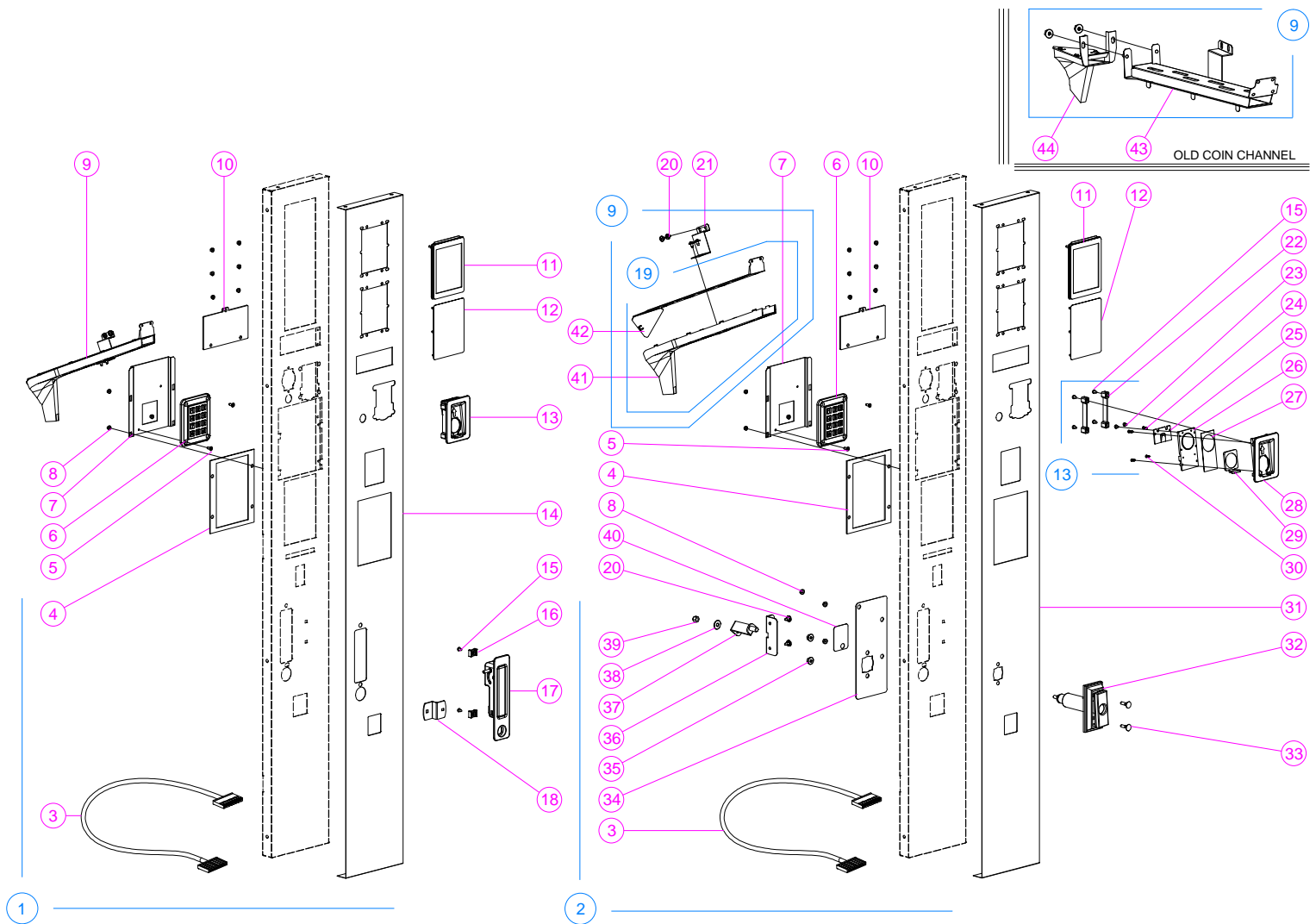
Pos	Code	Description	Serial Number	Nota
1	144347/2	TD FMP STD-KEYBOARD COIN INSERT		
2	144456/2	TG DV T-HANDLE FMP STD-KEYBOARD COIN INSERT		
3	143009/1	SVE01-KEYBOARD HARNESS		
4	413666	THICKNESS FOR DELIVERY EYELET TRIM		
5	404622/1	SCREW TSP+ 4,8x13		
6	412731	EOZ KEYBOARD		
7	412411	TELEPHONE KEYBOARD SUPPORT		
8	398224/1	NUT, FLANGED 4MA MILLED		
9	143664	COINS CHANNEL ASSY	0000000000 - 2615005615	
9	142095	COINS CHANNEL ASSY	2616006543 - ZZZZZZZZZZ	Check if you have the last revision of the p/n 412392
10	V800569	SCREW TC+ 4,8x6,5		
11	413598/1	DISPLAY GLASS		
12		Plug - Collar - Window		Pag. 25, not included in the assembly
13	138859	WELDED ASSY HOLE COVER CVB		
14	143672	STD COIN INSERT ASSY		
15	413764	EXTERIOR CONTROL PANEL		
16	V800611	SCREW 4,2x9,5		
17	412476/1	SINGLE FIXING SUPPORT		Included in the p/n 143650
18	143650	CLOSURE DOOR ASSY		
19	412273	LOCK LEVER		Included in the p/n 143650
20	142034	PLASTIC COINS CHANNEL ASSY		P/N 413866 + P/N 413877



Pos	Code	Description	Serial Number Nota
21	V800570	SCREW T1+4,8X9,5 S.POINT	
22	412514	COINS CHANNEL BRAKET	
23	412476	DOUBLE FIXING SUPPORT	
24	412392	COIN INSERT FLANGE	
25	412322	STD COIN INSERT	
26	412213	STD COIN INSERT MODULE	
27	V800565	SCREW T1+4,2X6,5 S.POINT	
28	413764/1	T-HANDEL EXTERIOR CONTROL PANEL	
29	134185/3	DOOR LOCK ASSY	
30	375973/1	SCREW M5 X 20	
31	410146	RETAINING T-HANDLE	
32	398224/2	NUT M5	
33	410145	BRACKET LOCK GUIDE	
34	144448	LOCK LEVER RIVET ASSY	
35	38148	FLAT WASHER 6X18X1.5	
36	390058	SELF-BLOCKING NUT M6	
37	410229	T-HANDLE LOCK SPACER	
38	413866	COIN CHANNEL	Included in the p/n 142034
39	413877	COIN CHUTE COVER	Included in the p/n 142034

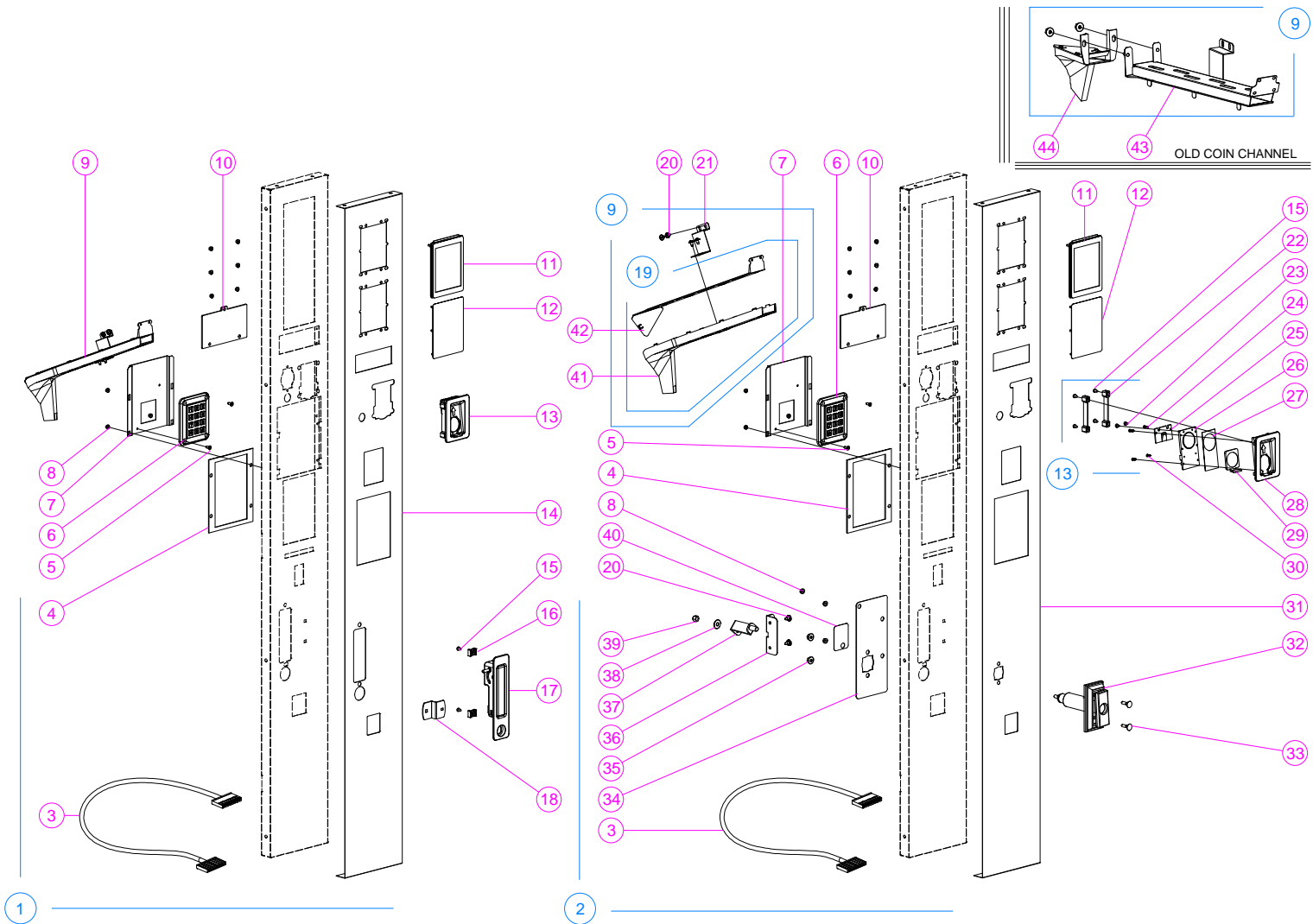


Pos	Code	Description	Serial Number Nota
1	144347/3	TS FMP SCI-KEYBOARD COIN INSERT	
2	144456/3	TH DV T-HANDLE FMP SCI-KEYBOARD COIN INSERT	
3	143009/1	SVE01-KEYBOARD HARNESS	
4	413666	THICKNESS FOR DELIVERY EYELET TRIM	
5	404622/1	SCREW TSP+ 4,8x13	
6	412731	EOZ KEYBOARD	
7	412411	TELEPHONE KEYBOARD SUPPORT	
8	398224/1	NUT, FLANGED 4MA MILLED	
9	143763	COINS CHANNEL ASSY	000000000 - 2615005615
9	142095	COINS CHANNEL ASSY	2616006543 - ZZZZZZZZZZ
10	413598/1	DISPLAY GLASS	
11		Plug - Collar - Window	Pag. 25, not included in the assembly
12	138859	WELDED ASSY HOLE COVER CVB	
13	143597	SLIDE COIN INSERT ASSY	
14	413764	EXTERIOR CONTROL PANEL	
15	V800611	SCREW 4,2x9,5	
16	412476/1	SINGLE FIXING SUPPORT	Included in the p/n 143650
17	143650	CLOSURE DOOR ASSY	
18	412273	LOCK LEVER	Included in the p/n 143650
19	142034	PLASTIC COINS CHANNEL ASSY	P/N 413866 + P/N 413877
20	V800570	SCREW T1+4,8X9,5 S.POINT	

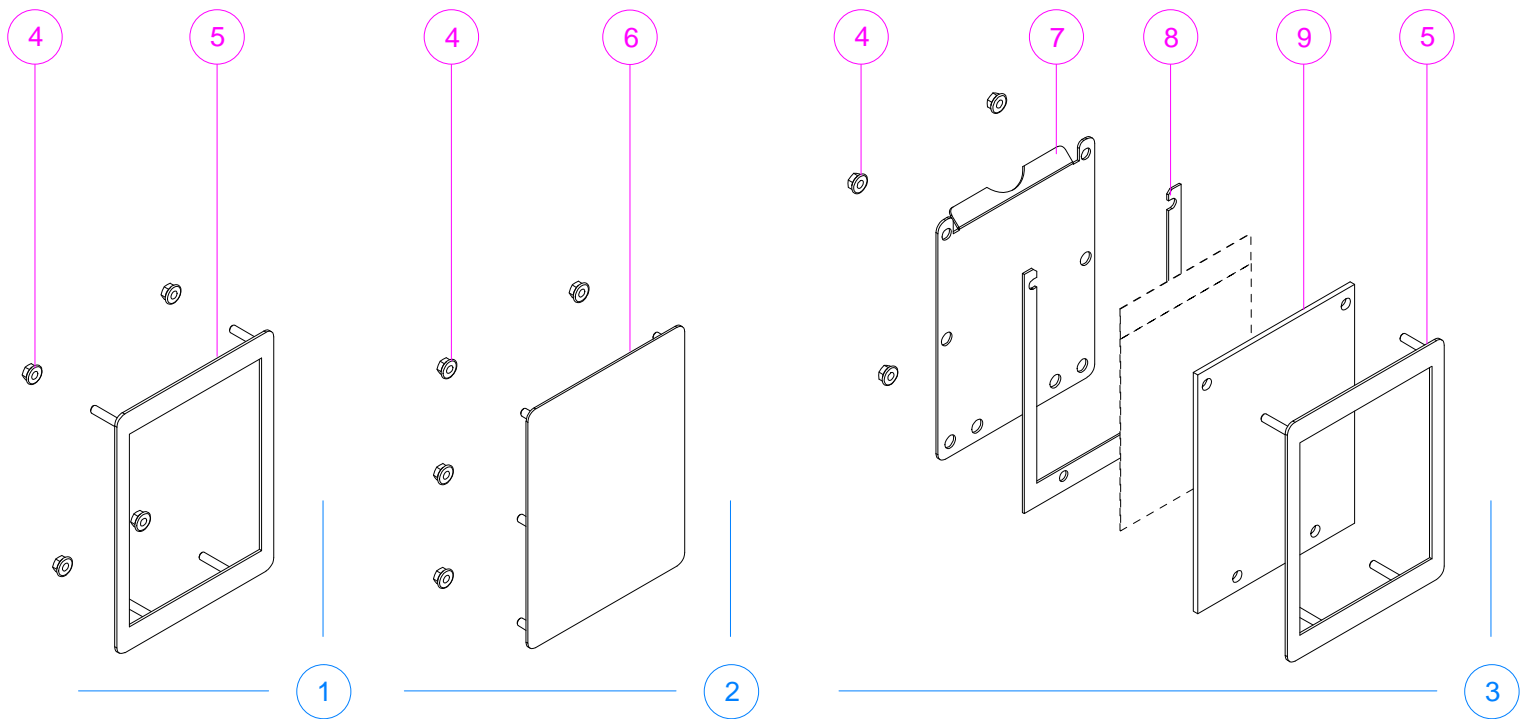


Pos	Code	Description	Serial Number Nota
21	412514	COINS CHANNEL BRACKET	
22	412476	DOUBLE FIXING SUPPORT	
23	V800565	SCREW T1+4,2X6,5 S.POINT	
24	402902	SCREW TL PZ CIL 3.5X12	
25	412324	COINS DEFLECTOR	
26	412323	SLIDE REAR PLATE	
27	412325	SCROLLING PLATE	
28	412212	SLIDE COIN INSERT	
29	412326	DRAFT COINS INSERT	
30	402902/1	SCREW TL PZ CIL 3.5X9	
31	413764/1	T-HANDEL EXTERIOR CONTROL PANEL	
32	134185/3	DOOR LOCK ASSY	
33	375973/1	SCREW M5 X 20	
34	410146	RETAINING T-HANDLE	
35	398224/2	NUT M5	
36	410145	BRACKET LOCK GUIDE	
37	144448	LOCK LEVER RIVET ASSY	
38	38148	FLAT WASHER 6X18X1.5	
39	390058	SELF-BLOCKING NUT M6	
40	410229	T-HANDLE LOCK SPACER	
41	413866	COIN CHANNEL	Included in the p/n 142034

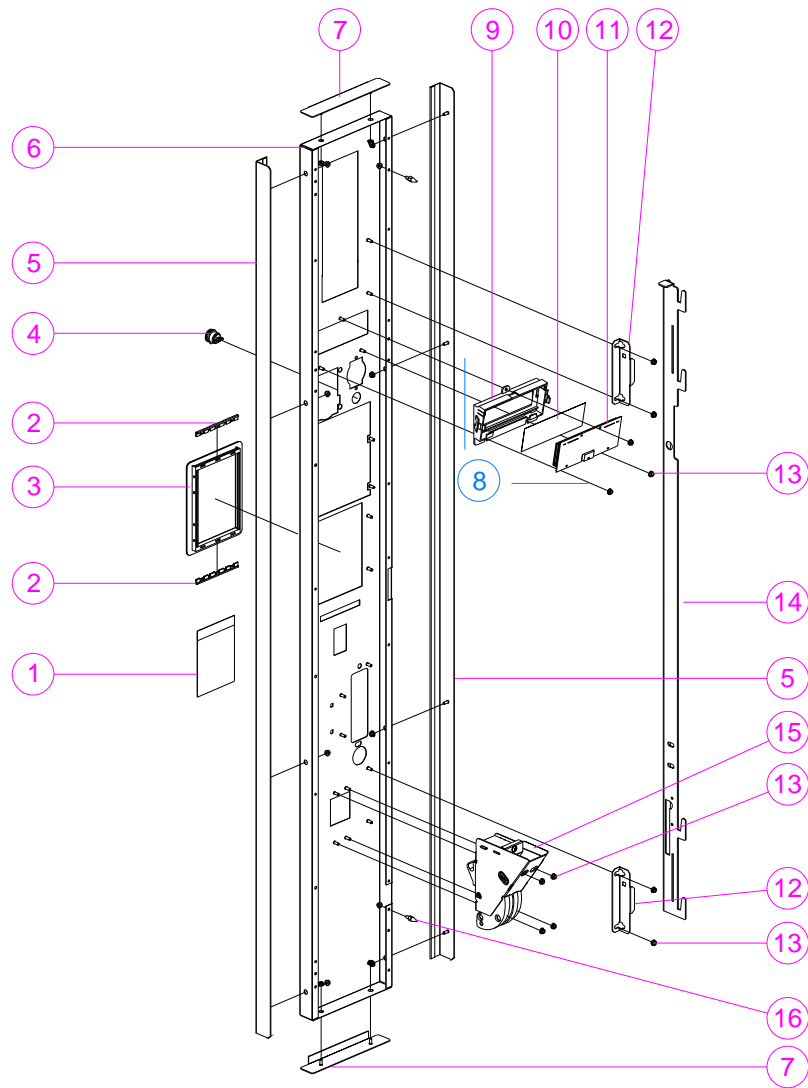




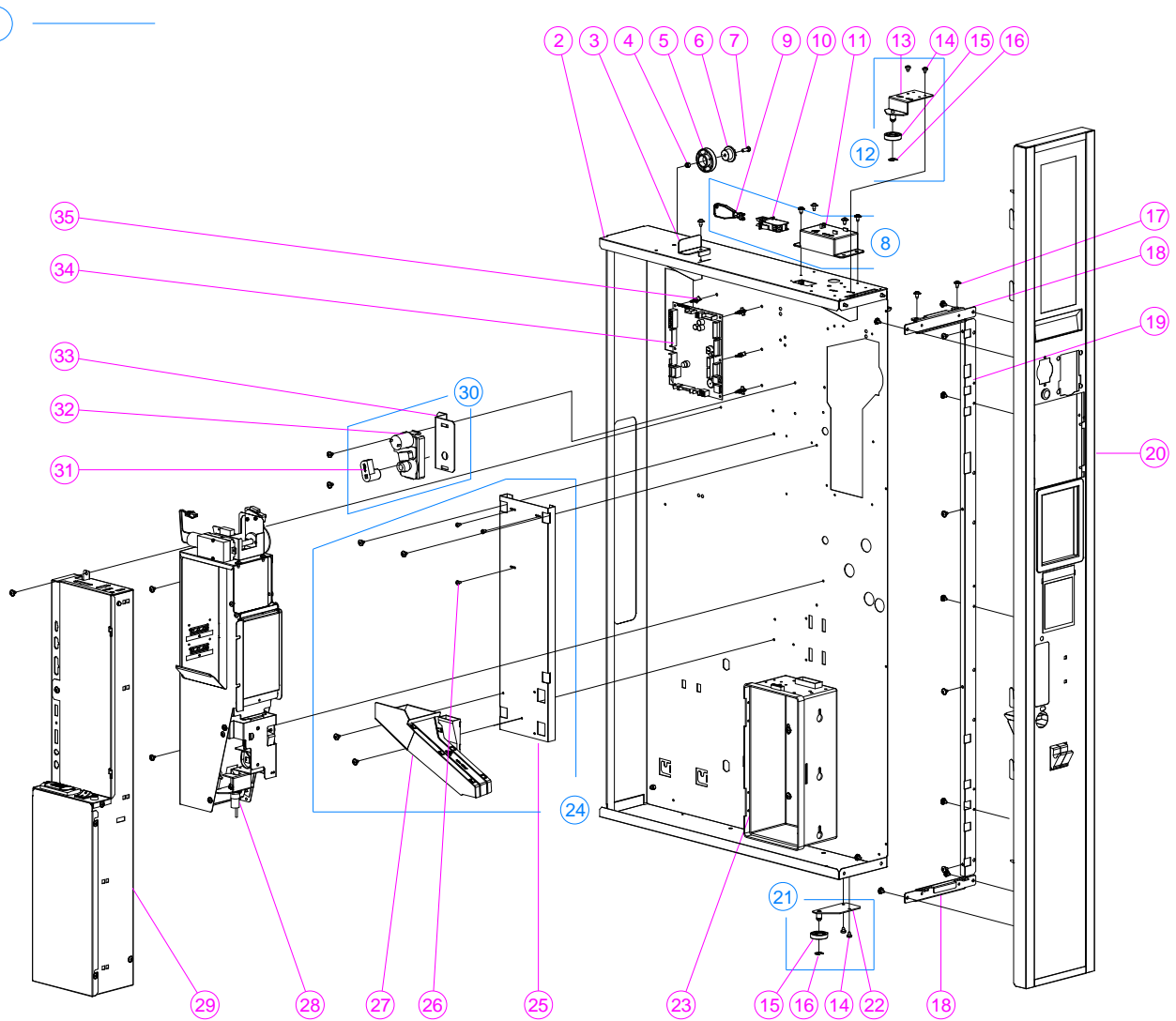
Pos	Code	Description	Serial Number Nota
42	413877	COIN CHUTE COVER	Included in the p/n 142034
43	143765	COINS CHANNEL ASSY	000000000 - 2615005615
44	139888	SLIDE COIN CHUTE ASSY	000000000 - 2615005615



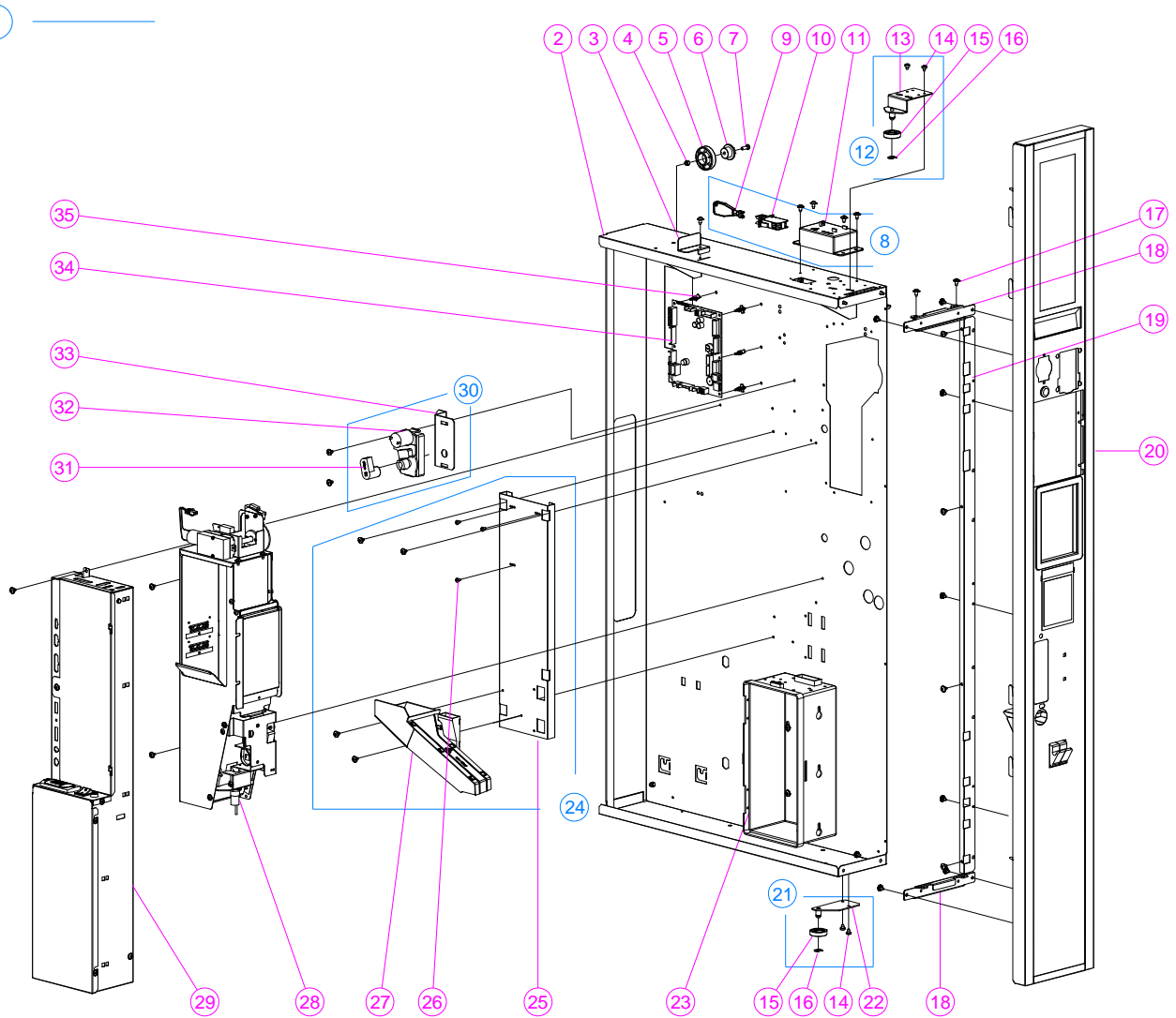
Pos	Code	Description	Serial Number Nota
1	141997	KIT COLLAR DESIGN LINE	
2	141997/1	KIT PLUG DESIGN LINE	
3	141997/2	KIT WINDOW DESIGN LINE	
4	398224/1	NUT, FLANGED 4MA MILLED	
5	139515	WELDED ASSY COLLAR CVB	
6	138859	WELDED ASSY HOLE COVER CVB	
7	399049	REAR COVER	
8	413611	GUIDE	
9	413609	WINDOW PANEL	



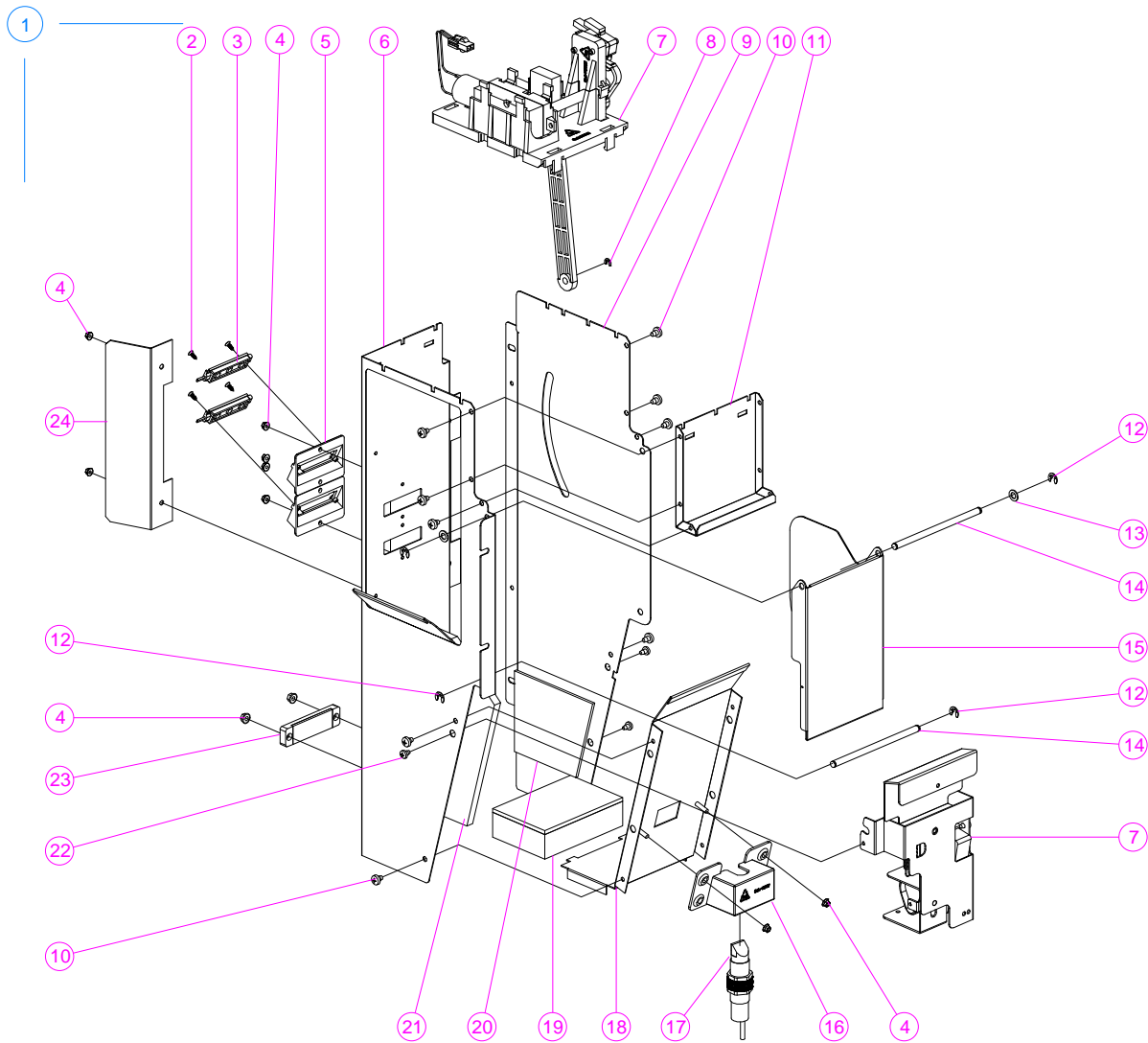
Pos	Code	Description	Serial Number Nota
1	412044	BLACK LABEL INSTRUCTIONS	
2	411971	HOOKING DELIVERY EYELET FRAME	
3	143458	DELIVERY EYELET FRAME ASSY	
4	408964	PUSH BUTTON EAO	
5	143907	LATERAL DOOR PROFILE WELD ASSY	
6	143905/3	CONTROL PANEL WELD ASSY	
7	143202	TOP-BOTTOM DOOR PROFILE WELD ASSY	
8	143116	DISPLAY ASSY	
9	411467	SUPPORT, DISPLAY	
10	411519	BLUE DISPLAY GLASS	
11	411490	DISPLAY VFD 256X64	
12	412071	SLIDE ROD RETAINER	
13	398224/1	NUT, FLANGED 4MA MILLED	
14	412358	SLIDE ROD	
15	137126	COIN RETURN ASSY	
16	411152	PIN CENTERING DRAWER	



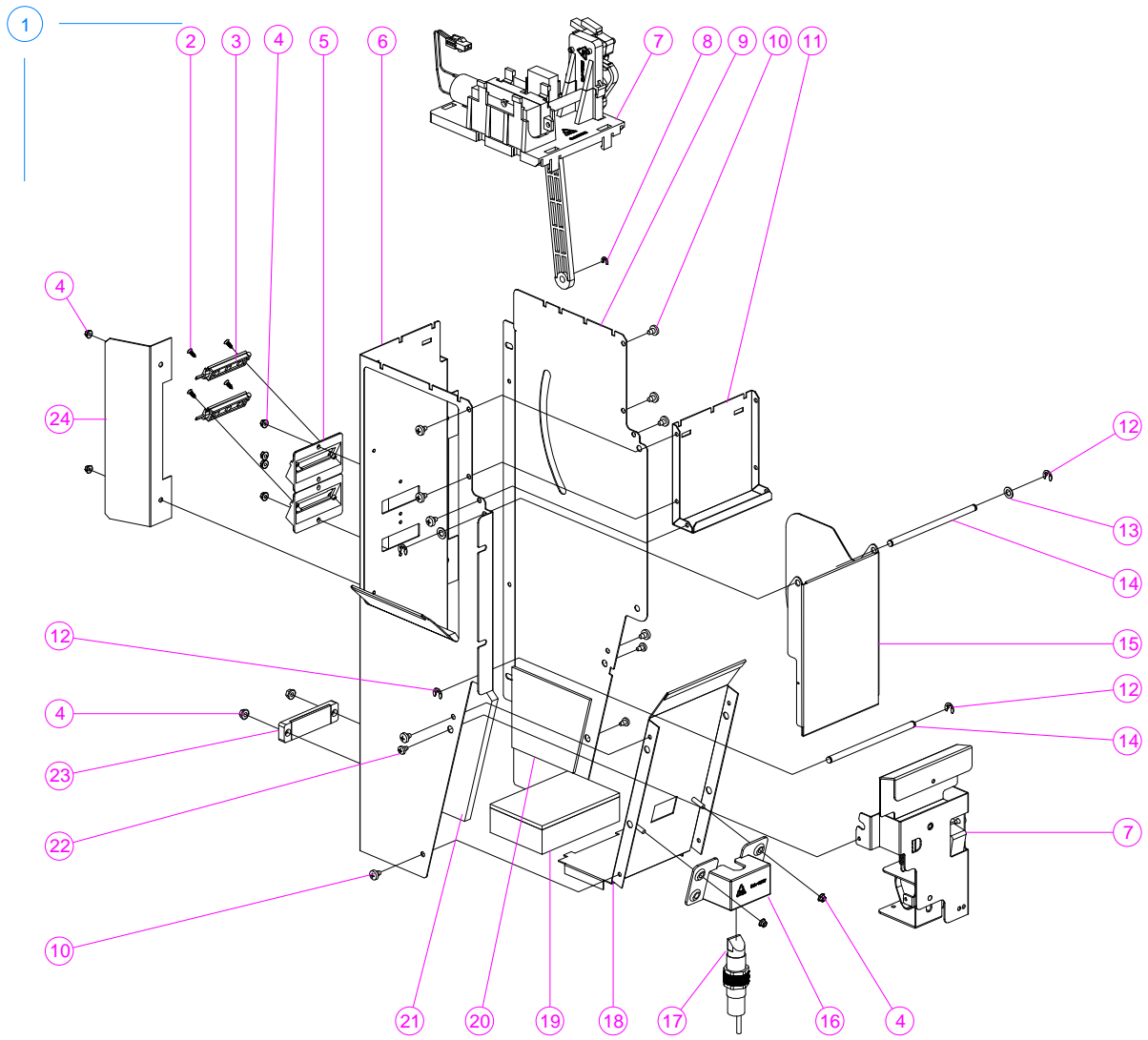
Pos	Code	Description	Serial Number Nota
1	143906	DV9 DRAWER ASSEMBLY	
2	144168	DRAWER WELD ASSEMBLY	
3	413221	DRAWER RETAINER	
4	390058/2	SELF-BLOCKING NUT 5MA	
5	411660	WHEEL DRAWER SCROLL	
6	411207	SCROLL WHEEL INSERT	
7	381290/2	SCREW TC+ 5MAX15	
8	144260	MICRO DRAWER ASSY	
9	412370	POWER KEY	
10	393220	SWITCH XTD22	
11	413095	SWITCH BOX COVER	0000000000 - 2613003063
11	410696	PLASTIC SWITCH BOX COVER	2614003687 - ZZZZZZZZZZ
12	143725	CENTERING WHEEL DOOR ASSY	
13	143724	RIVETED WHEEL SUPPORT	
14	V800569	SCREW TC+ 4,8x6,5	
15	392308	WHEEL	
16	381442/1	SEEGER Ø8	
17	V800570	SCREW T1+4,8X9,5 S.POINT	
18	411957	REINFORGE DRAWER	
19	411961	FRONT DRAWER SUPPORT	
20		Control Panel	



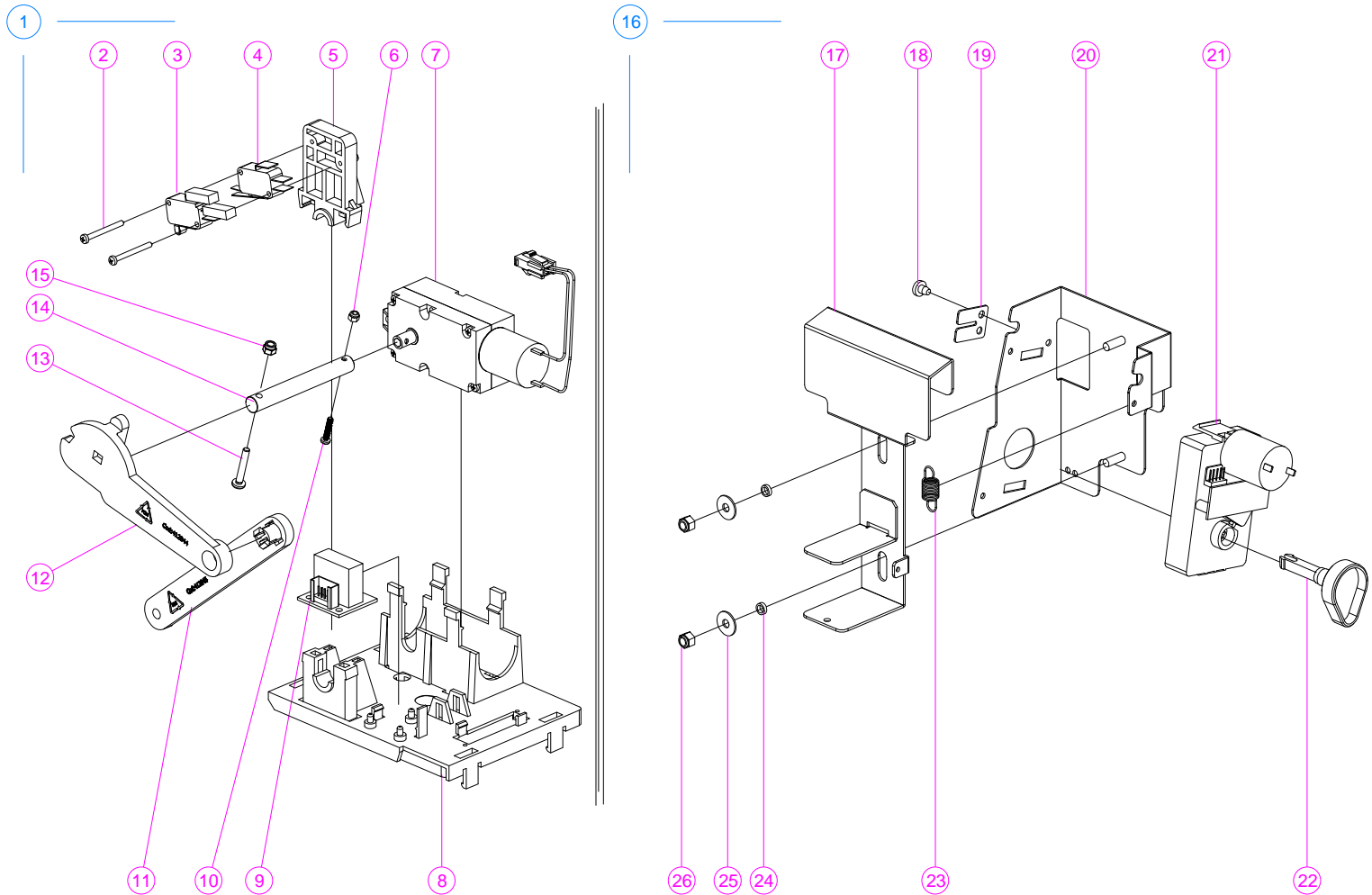
Pos	Code	Description	Serial Number Nota
21	140406	CENTERING WHEEL DOOR ASSY	
22	140407	RIVETED WHEEL SUPPORT	
23	400771	PLASTIC BOX	
24	141356	COINAGE SUPPORT ASSY	
25	407690	COIN BOX SUPPORT	
26	V800611	SCREW 4,2x9,5	
27	142053	COIN RETURN CHANNEL ASSY (in plastic)	
28		Prduct Exit - Metal FLAP	Pag. 33 - 34
29		Box Transformer	Pag. 44 - 45, Not included in the assembly
30	143207	COINS RETURN MOTOR ASSY	
31	411352	MONEY RETURN CAM	
32	411892	FIBER MOTOR	
33	411052	COINS RETURN MOTOR SUPPORT	
34	411141	BOARD SVE01	
35	386348	SUPPORT	



Pos	Code	Description	Serial Number Nota
1	142393	DL-DV-DM FLAP ASSY	2614003687 - ZZZZZZZZZZ
2	381603/5	SCREW TSP+ 2,9X9,5	
3	408035	LED BOARD	
4	398224	NUT, FLANGED 3MA MILLED	
5	412664	FLAP LED SUPPORT	
6	142394	LH SIDE FLAP RIVET ASSY	
7		Plastic FLAP - Components	Pag. 31 - 32
8	381442/2	SEEGER Ø4	
9	409299	FLAP CASING RH	
10	V800569	SCREW TC+ 4,8x6,5	
11	412825	FRONT FLAP	
12	381442/5	SEEGER	
13	411954	DOOR SPACER FLAP	
14	411766	DOOR ROTATION PIN	
15	143321	FRONT DOOR DRUM RIVET ASSY	
16	408437	PHOTOCELL SUPPORT	
17	408174	FAR/BN-2A MD PHOTOCELL	
18	143717	FRONT SUPPORT FLAP RIVET ASSY	
19	413125	FLAP BOTTOM	
20	413130	FLAP RUBBER SPONGE	
21	413126	FLAP RUBBER SPONGE	

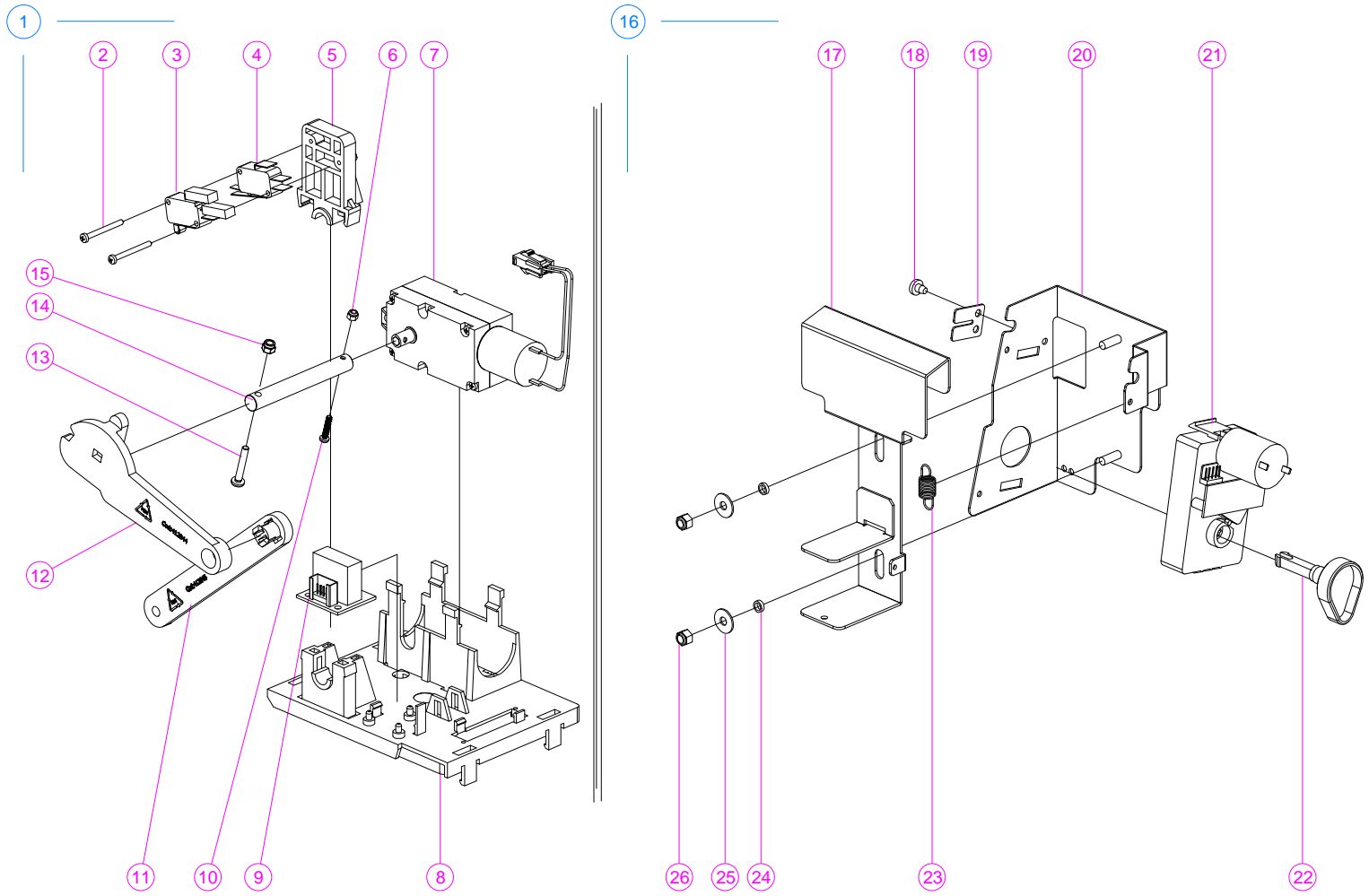


Pos	Code	Description	Serial Number Nota
22	V800565	SCREW T1+4,2X6,5 S.POINT	
23	408175	REFLECTOR RL 112G MD	
24	410254/1	COINAGE BUTTONS ANTIVANDALISM	

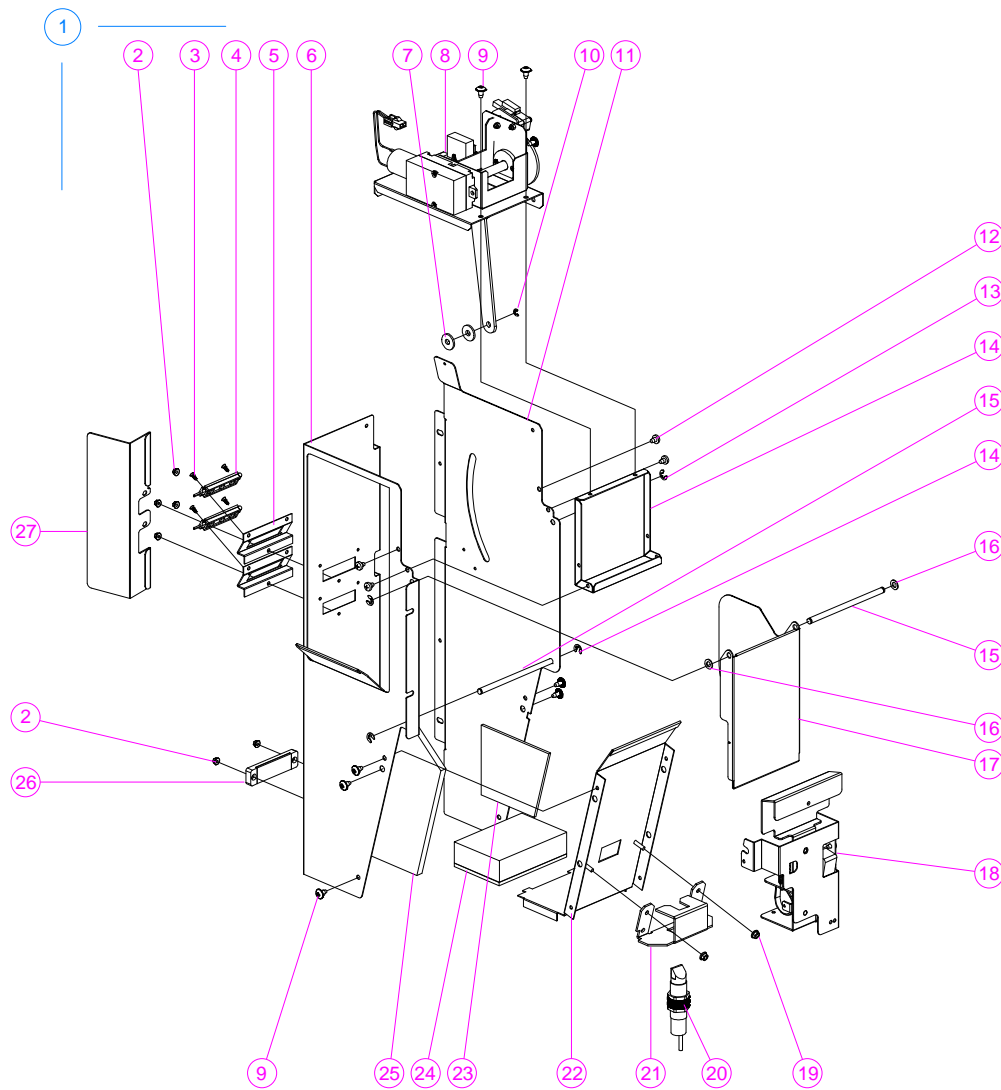


Pos	Code	Description	Serial Number Nota
1	143962	UPPER FLAP ASSY	2614003687 - ZZZZZZZZZZ
2	381603/6	SCREW 2,9x32	
3	392095	MICRO SW.AM51615C73MAT	
4	392062	MICRO SW.AM51612C53NAT	
5	413065	UPPER SWITCH SUPPORT FLAP	
6	390058/3	SELF-BLOCKING NUT M3	
7	138298/3	REDUCE MOTOR FOR SHUTTER	
8	412846	UPPER FLAP	
9	401489	RELE BOARD	
10	371109/3	SCREW TC+ 3MAX16	
11	412845	FLAP LEVER	
12	412844	MICRO FLAP CAM	
13	371110/14	SCREW 4MAX25	
14	412869	SHAFT, OPENING / CLOSING SHUTTER	
15	390058/1	SELF STOPPING NUT 4MA HIGH	
16	143715	FLAP STOPPER SUPPORT ASSY	
17	143959	STOP LEVER VEND DOOR FLAP WELD ASSY	
18	V800569	SCREW TC+ 4,8x6,5	
19	412525	STOP MOTOR	
20	143788	FLAP STOPPER SUPPORT ASSY	
21	407735	GEARED MOTOR	

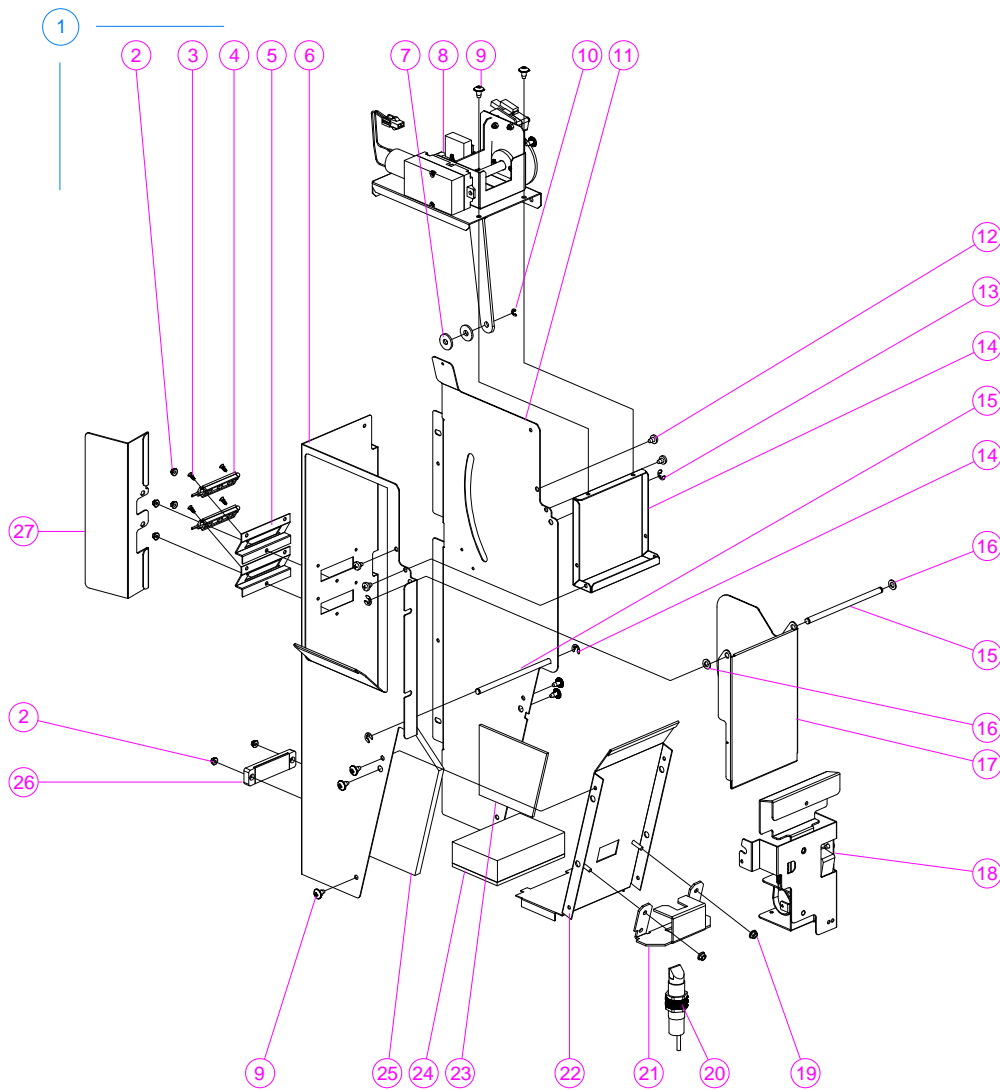




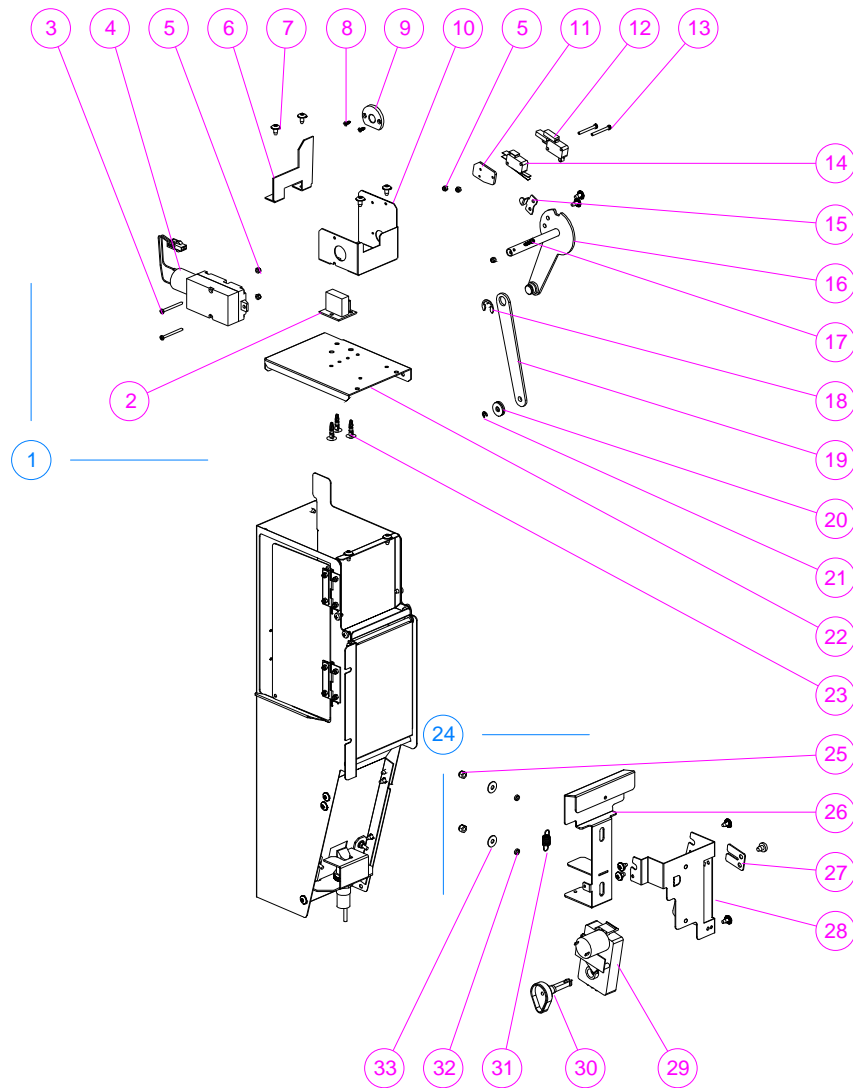
Pos	Code	Description	Serial Number Nota
22	407880	CAM	
23	395450	SPRING	
24	386067/2	SPACER	
25	31915	FLAT WASHER 5X15X1	
26	390058/2	SELF-BLOCKING NUT 5MA	



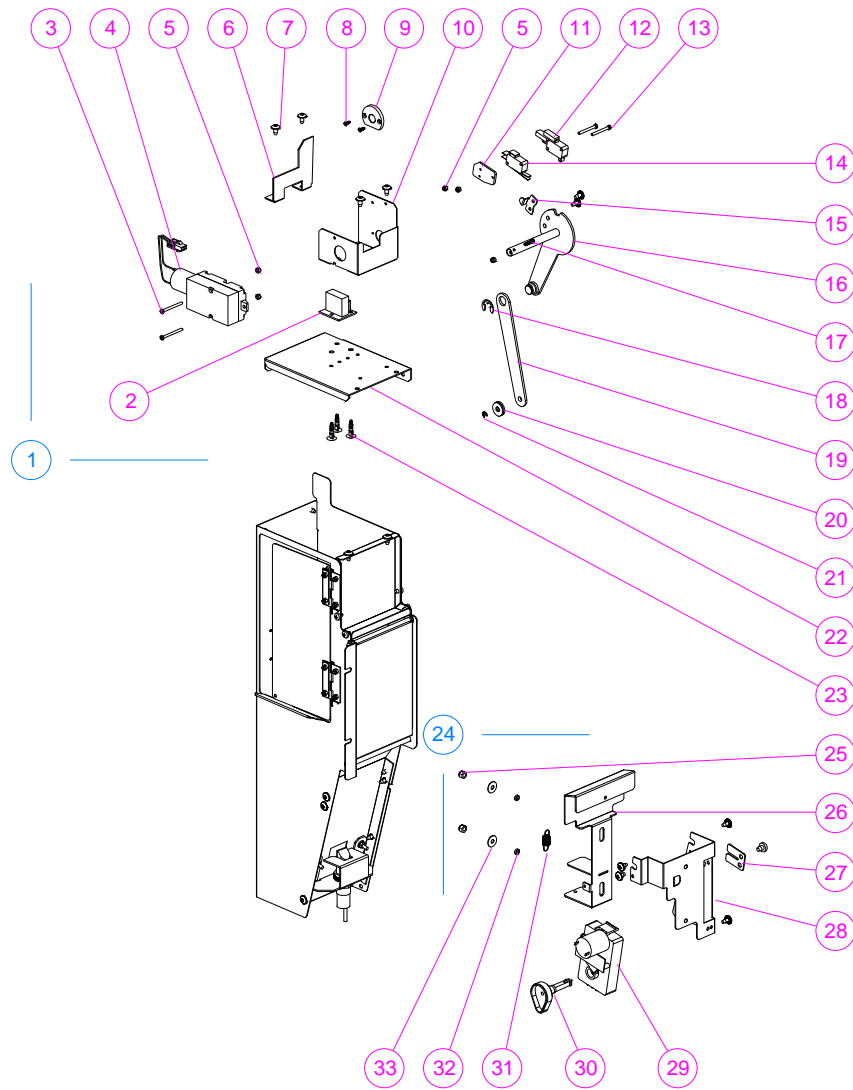
Pos	Code	Description	Serial Number Nota
1	143221	FLAP ASSY	0000000000 - 2613003063
2	398224	NUT, FLANGED 3MA MILLED	
3	381603/5	SCREW TSP+ 2,9X9,5	
4	408035	LED BOARD	
5	412610	FLAP LED SUPPORT	
6	143338	LH SIDE DRUM RIVET ASSY	
7	381066/3	NYLON WASHER 6,2X18X2	
8		Metal FLAP - Components	Pag. 35 - 36
9	V800570	SCREW T1+4,8X9,5 S.POINT	
10	381442/2	SEEGER Ø4	
11	412146	FLAP CASING RH	
12	V800569	SCREW TC+ 4,8x6,5	
13	381442/5	SEEGER	
14	411857	FRONT DRUM	
15	411766	DOOR ROTATION PIN	
16	411954	DOOR SPACER FLAP	
17	143321	FRONT DOOR DRUM RIVET ASSY	
18		Metal FLAP - Components	Pag. 35 - 36
19	398224/1	NUT, FLANGED 4MA MILLED	
20	408174	FAR/BN-2A MD PHOTOCELL	
21	408157/1	PHOTOCELL SUPPORT	



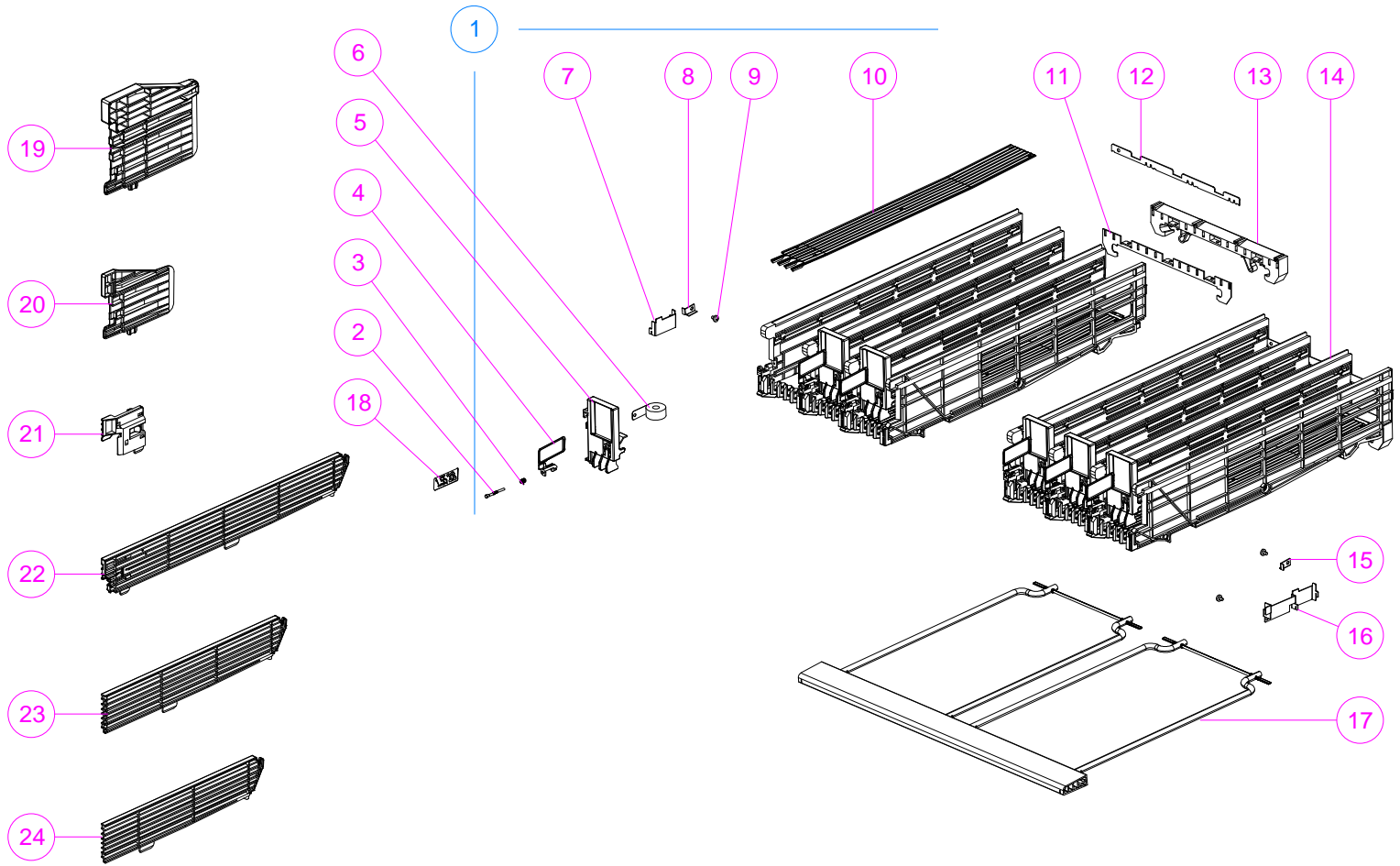
Pos	Code	Description	Serial Number Nota
22	143717	FRONT SUPPORT FLAP RIVET ASSY	
23	413130	FLAP RUBBER SPONGE	
24	413125	FLAP BOTTOM	
25	413126	FLAP RUBBER SPONGE	
26	408175	REFLECTOR RL 112G MD	
27	410254	COINAGE BUTTONS ANTIVANDALISM	Not included in the assembly



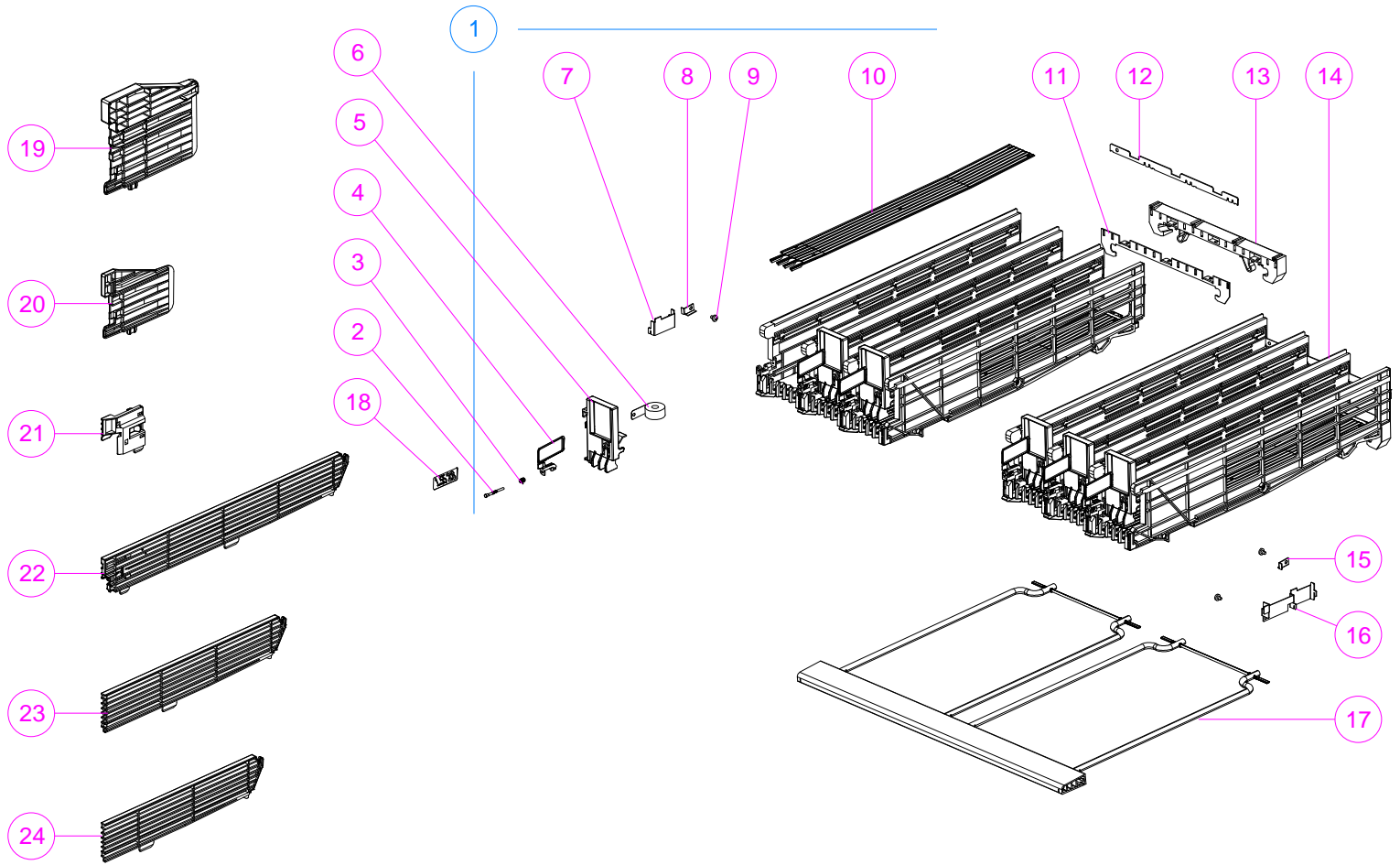
Pos	Code	Description	Serial Number Nota
1	143899	UPPER FLAP ASSY	0000000000 - 2613003063
2	401489	RELE BOARD	
3	371109/14	SCREW TC+ 3MAX35	
4	138298/3	REDUCE MOTOR FOR SHUTTER	
5	390058/3	SELF-BLOCKING NUT M3	
6	412859	FLAP MOTOR REINFORCEMENT	
7	V800570	SCREW T1+4,8X9,5 S.POINT	
8	381603/5	SCREW TSP+ 2,9X9,5	
9	399693	HINGE COMPASS	
10	412754	MOTOR SUPPORT FLAP	
11	340025/4	SWITCH INSULATOR	
12	392095	MICRO SW.AM51615C73MAT	
13	371109/8	SCREW TSP+ 3MAX30	
14	392062	MICRO SW.AM51612C53NAT	
15	404743	CAM STIRRUP	
16	143213/1	FLAP CAM WELD ASSY	
17	371109/3	SCREW TC+ 3MAX16	
18	V801084	SEEGER	
19	411767	LEVER FOR MICRO	
20	381066/3	NYLON WASHER 6,2X18X2	Not included in the assembly
21	381442/2	SEEGER Ø4	Not included in the assembly



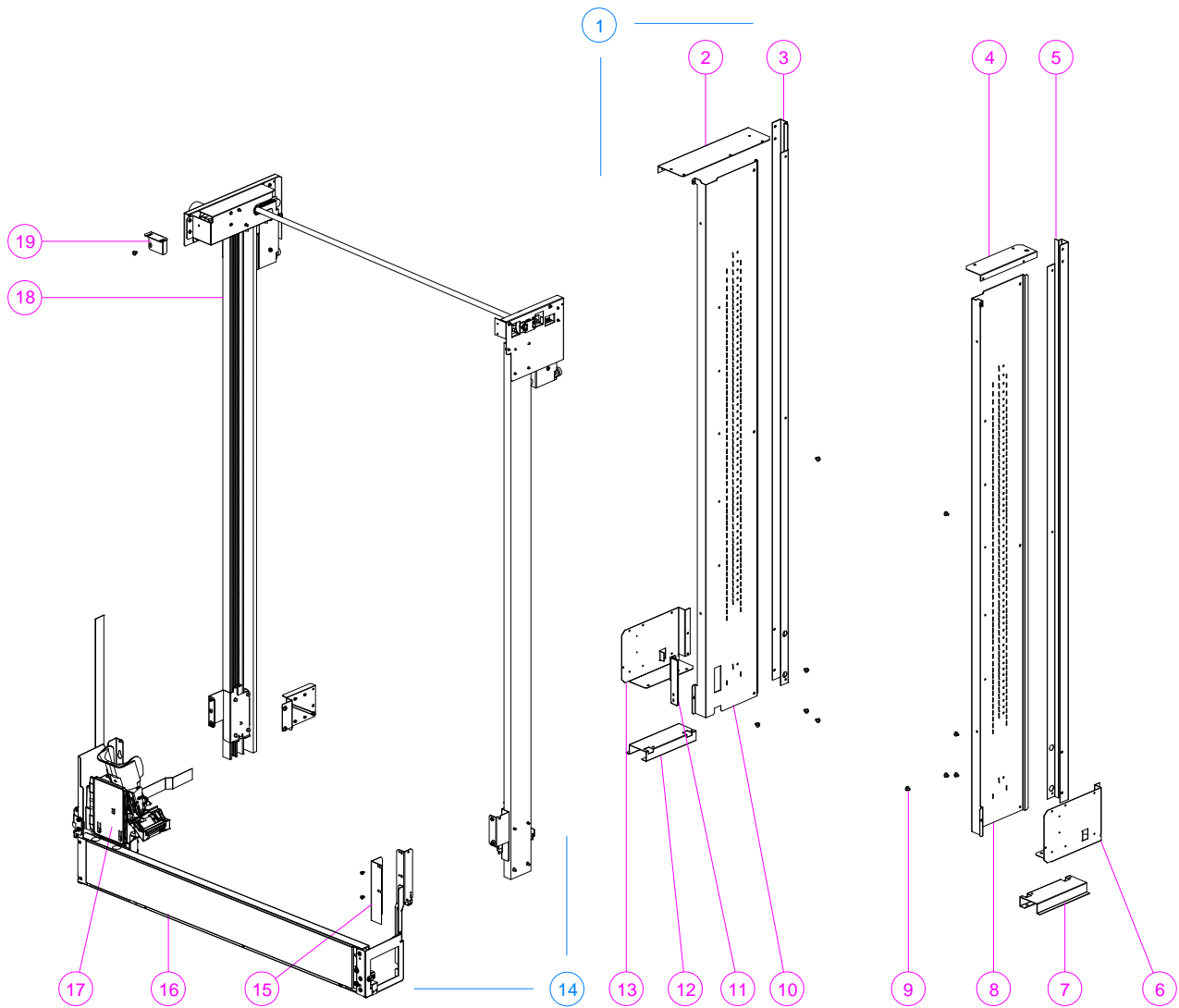
Pos	Code	Description	Serial Number Nota
22	412755	UPPER FLAP	
23	386348/1	BOARD RETAINER SUPPORT	
24	143715	FLAP STOPPER SUPPORT ASSY	
25	390058/2	SELF-BLOCKING NUT 5MA	
26	143959	STOP LEVER VEND DOOR FLAP WELD ASSY	
27	412525	STOP MOTOR	
28	143788	FLAP STOPPER SUPPORT ASSY	
29	407735	GEARED MOTOR	
30	407880	CAM	
31	395450	SPRING	
32	386067/2	SPACER	
33	31915	FLAT WASHER 5X15X1	



Pos	Code	Description	Serial Number Nota
1	141126	STD SHELF ASSY	
2	408557	PIVOT PIN GATE	
3	408556	TORSION SPRING GATE	
4	408555	PRODUCT GATE	
5	408489	PUSHER TRAY	
6	408488	VARIABLE SPG. PUSHER TRAY	
7	406552	LH SHELF SUPPORT	
8	406561	LH SHELF STOPPER	
9	V800569	SCREW TC+ 4,8x6,5	
10	408554	PRODUCT SLIDER	
11	408551	STIFFENER TRAY	
12	408550	STIFFENER COLUMN	
13	408549	COLUMN BACK	
14	141098	TRAY ASSY	
15	406561/1	RH SHELF STOPPER	
16	406556	RH SHELF SUPPORT	
17	141243	SHELF ASSY (6F )	
18	407752/2	SELECTION LABEL	
18	407753/2	PRICES LABEL	
19	408654	PRODUCT STABILIZER (HIGHT)	
20	407851	PRODUCT STABILIZER	

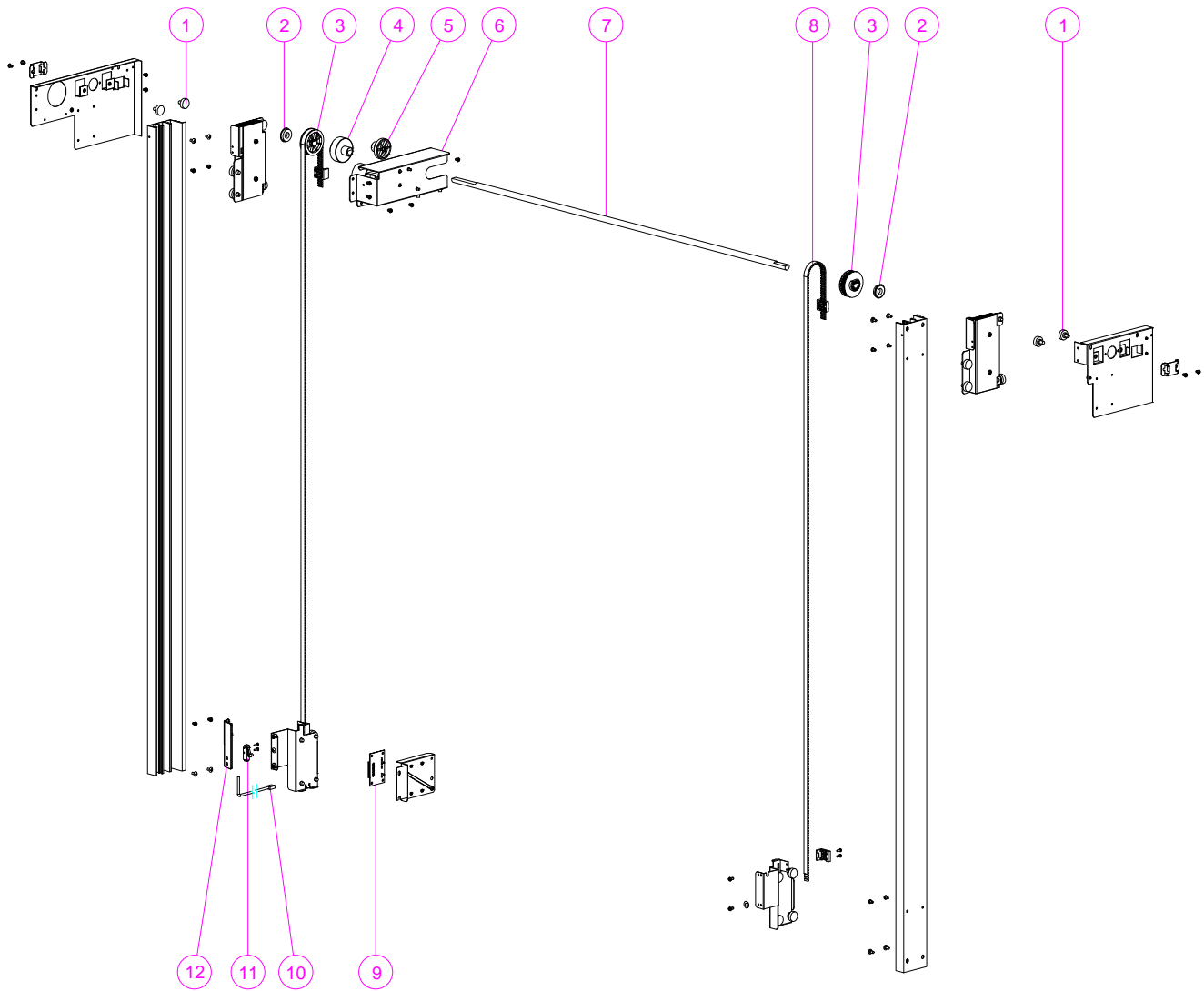


Pos	Code	Description	Serial Number Nota
21	407853	SPACER B	
22	407852	SPACER A	
23	407852/1	SPACER A1	
24	407852/2	SPACER A2	

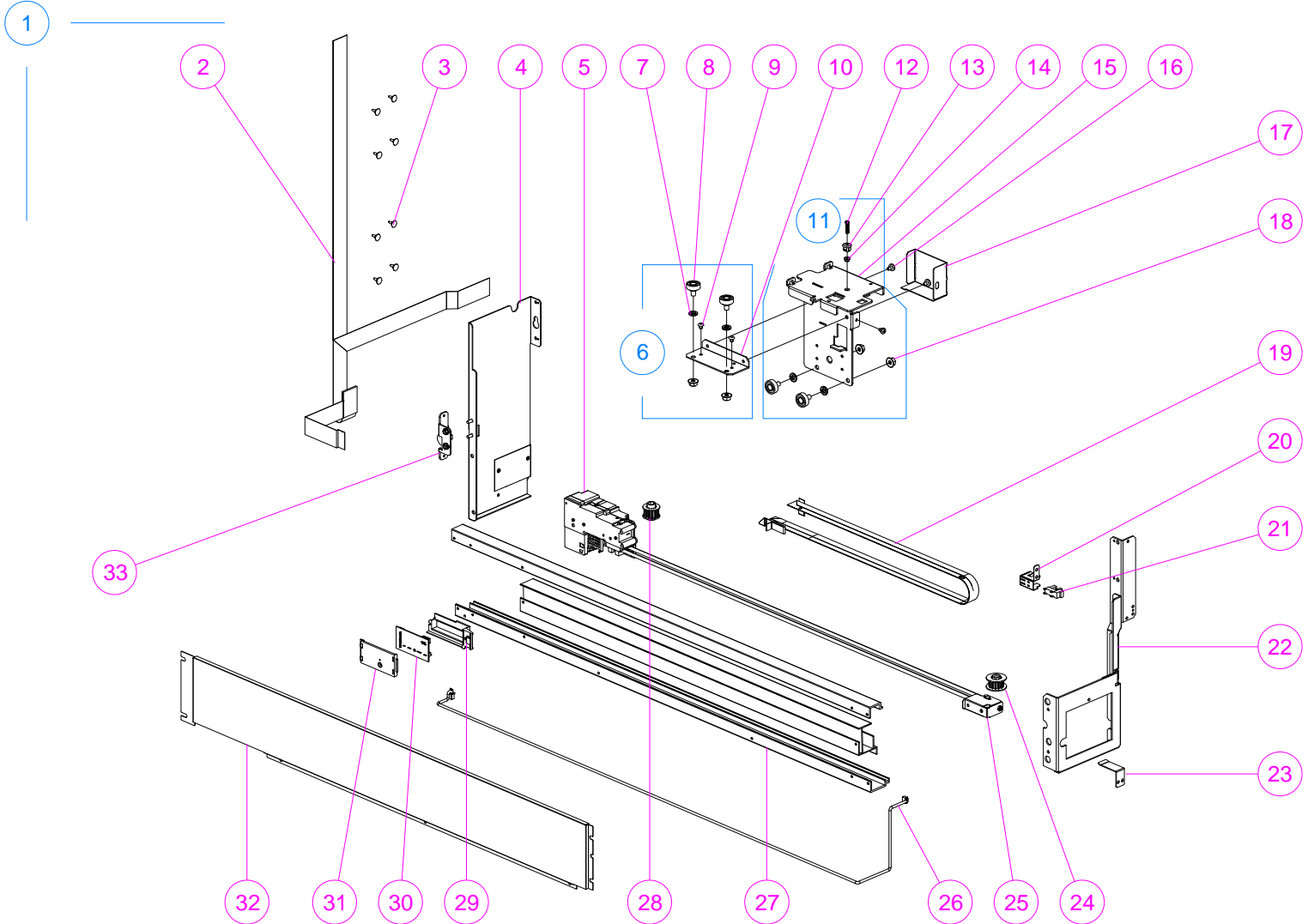


Pos	Code	Description	Serial Number Nota
1	141551	Y UNIT ASSY	
2	407262	LH Y ASSY UPPER RETAINER	
3	408435/1	LH Y ASSY VERTICAL SUPPORT	
4	407258	RH Y ASSY UPPER RETAINER	
5	408435	RH Y ASSY VERTICAL SUPPORT	
6	408432/1	RH Y GUIDE BASE	
7	408539/1	EXTENSION Y RH	Not included in the assembly
8	408434	RIGHT Y GUIDE SUPPORT	
9	V800569	SCREW TC+ 4,8x6,5	
10	408433	LEFT Y GUIDE SUPPORT	
11	407721	SWITCH SUPPORT	
12	408539	EXTENSION Y LH	Not included in the assembly
13	408432	LH Y GUIDE BASE	
14	141611	ELEVATOR HIGH 6 SELECTION	
15	408647	OPTICAL SENSOR COVER	
16		X Movement	Pag. 41 - 42
17		Bucket Assy	Pag. 43
18		Y Unit Assy	Pag. 40
19	407950	Y MOTOR RETAINER	

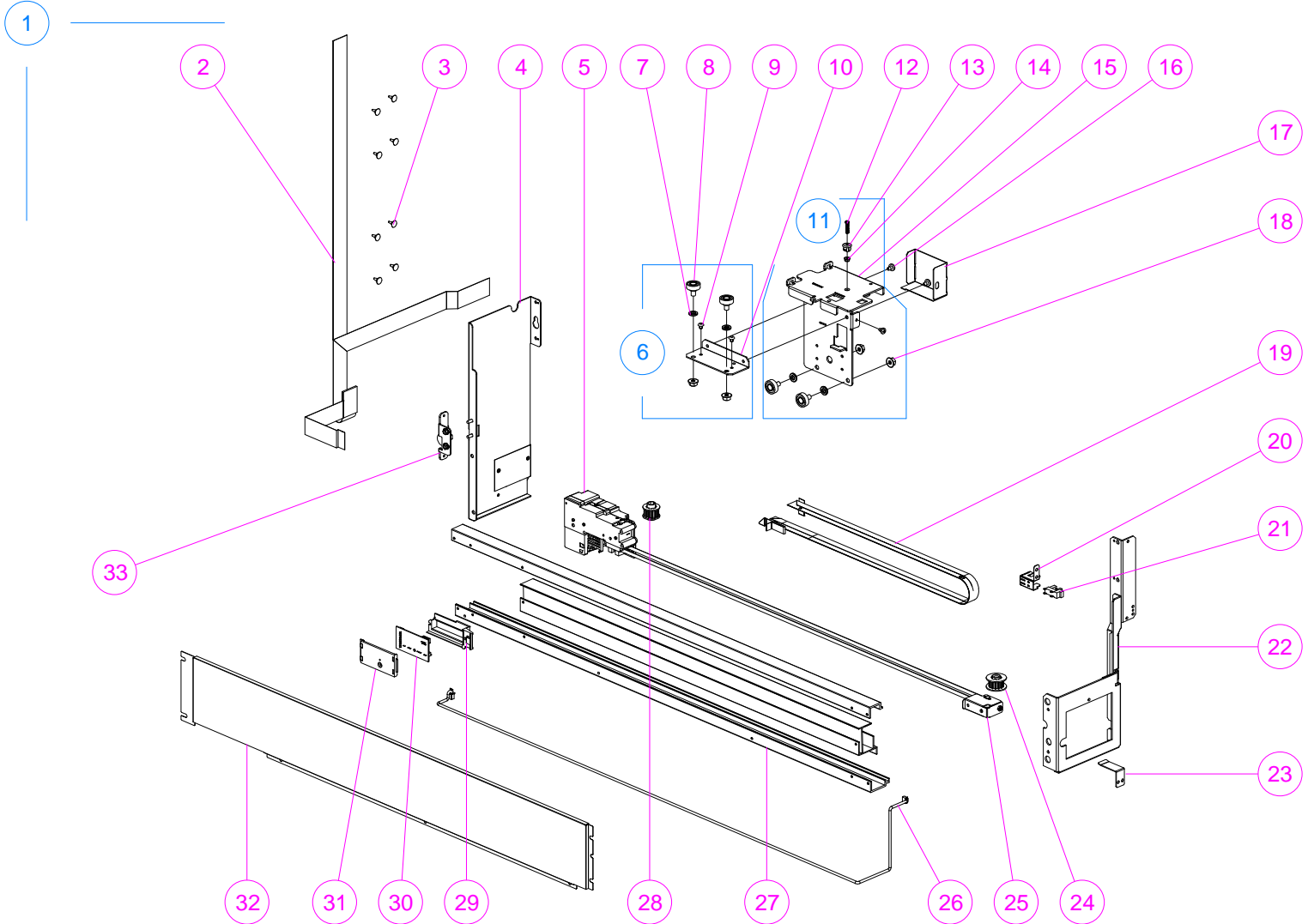




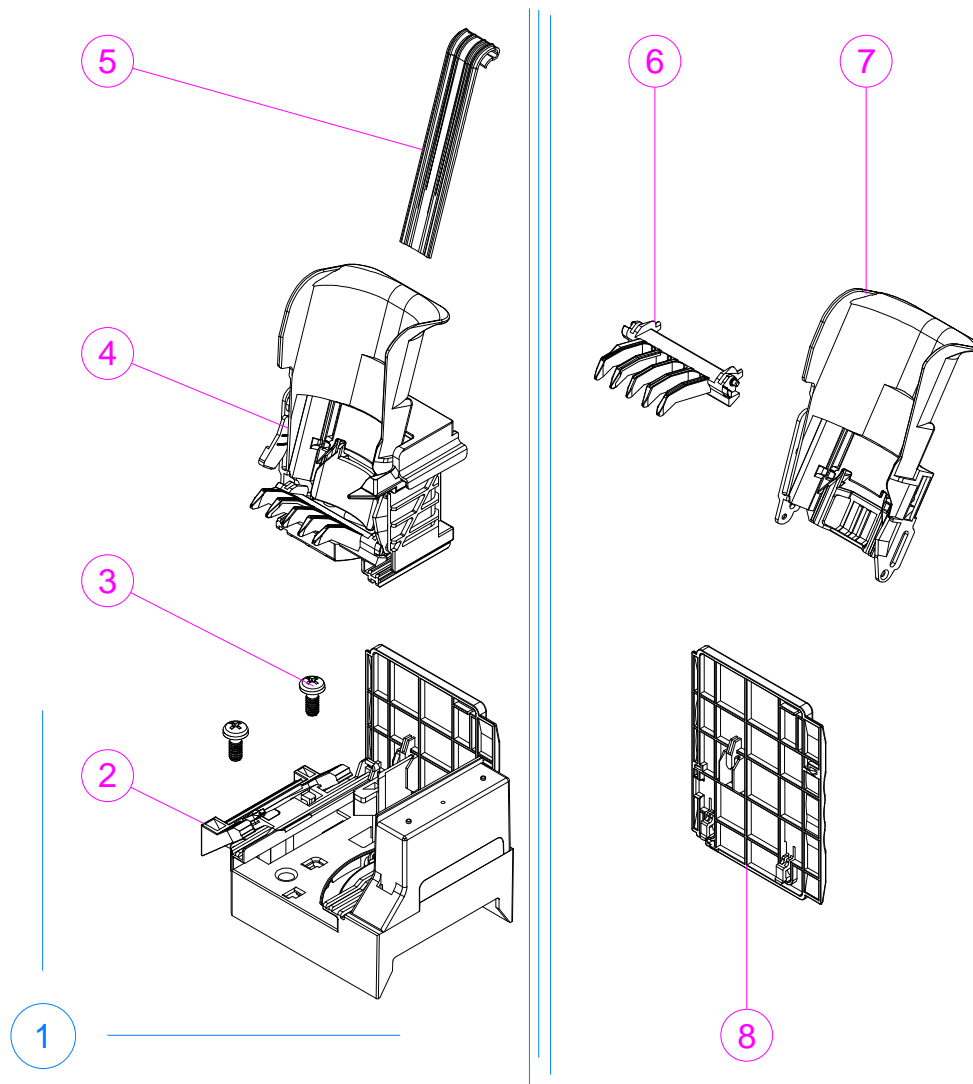
Pos	Code	Description	Serial Number Nota
1	408171	BEARING	
2	408170	BALL BEARING	
3	408163	GEAR WHEEL FOR Y MOTOR	
4	408162	DENTED GEAR FOR Y MOTOR	
5	408164	GEAR FOR MOTOR "Y"	
6	141376	DRIVE MOTOR ASSY , Y AXIS	
7	408172/1	SHAFT Y AXIS (6F)	
8	408535	BELT	
9	141371	BOARD ASSY, X	
10	141367	HARNESS Y ORIGIN	
11	408168	SWITCH HOME "Y"	
12	407721	SWITCH SUPPORT	



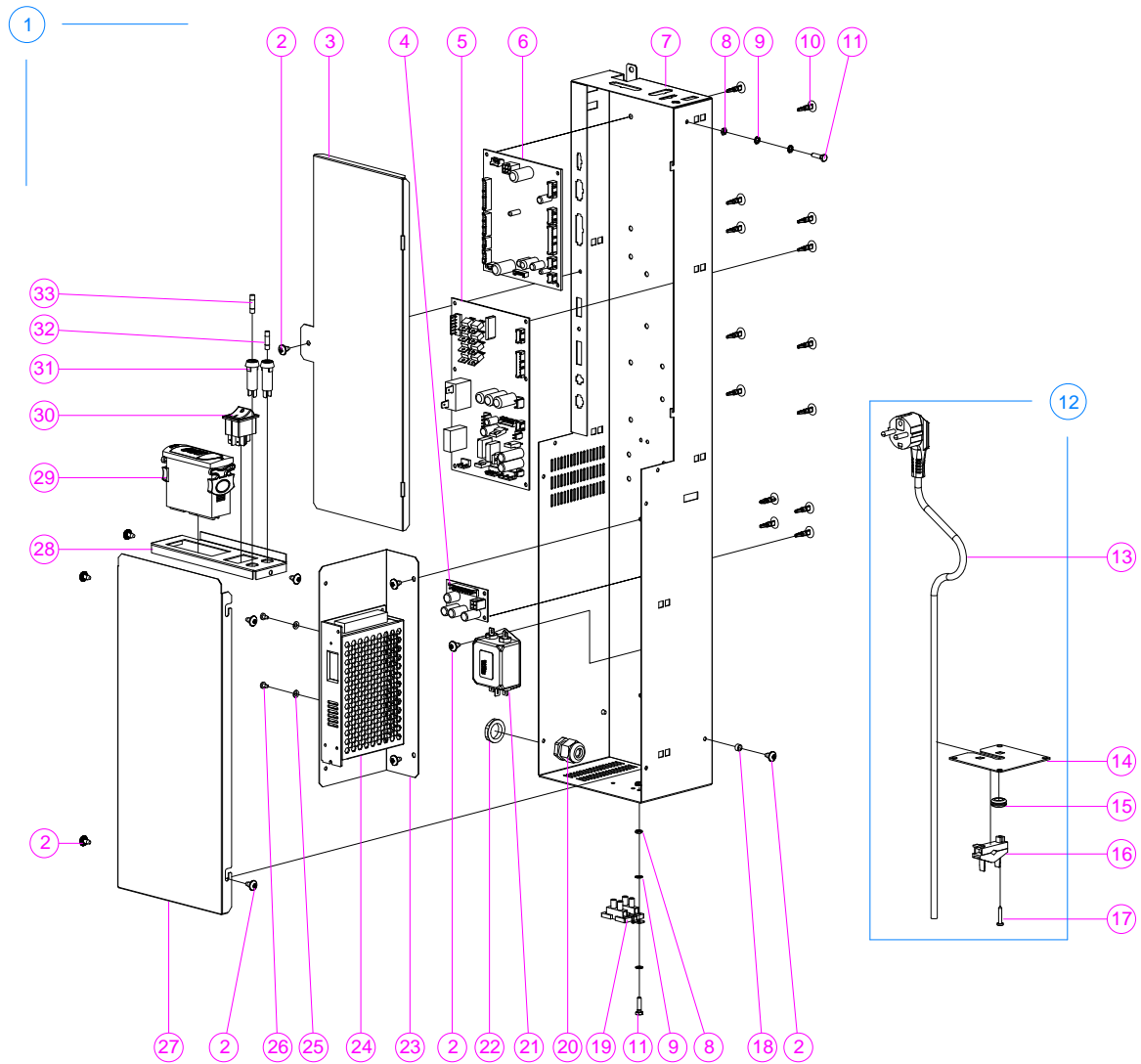
Pos	Code	Description	Serial Number Nota
1	144314/1	"X" VERTICAL 6 FACE ASSEMBLY	
2	144407	FLAT CABLE ASSY, Y AXIS VERTICAL	
3	404306	CANOE CLIPS	
4	412357	LEFT SIDE X AXIS	
5	141377	DRIVE MOTOR ASSY , X AXIS (6F)	
6	141889	WHEELS SUPPORT ASSY	
7	412716	WHEEL	0000000000 - 2420010875
7	381228/1	WASHER	2511000140 - ZZZZZZZZZZ
8	408171	BEARING	
9	411785	RIVET FOR FLAT CABLE	
10	412502	WHEEL SUPPORT	
11	141890	BUCKET SUPPORT ASSY	
12	371109/3	SCREW TC+ 3MAX16	
13	323005	SNAP IN NUT	
14	398224	NUT, FLANGED 3MA MILLED	
15	142391	BUCKET SUPPORT WELD ASSY	
16	V800569	SCREW TC+ 4,8x6,5	
17	412867	BOARD PROTECTION	2511000140 - ZZZZZZZZZZ
18	371110/1	SCREW, TC+4MAX10	0000000000 - 2420010875
18	398224/3	NUT, FLANGED 6MA MILLED	2511000140 - ZZZZZZZZZZ
19	141365	FLAT CABLE ASSY, X AXIS (6F)	



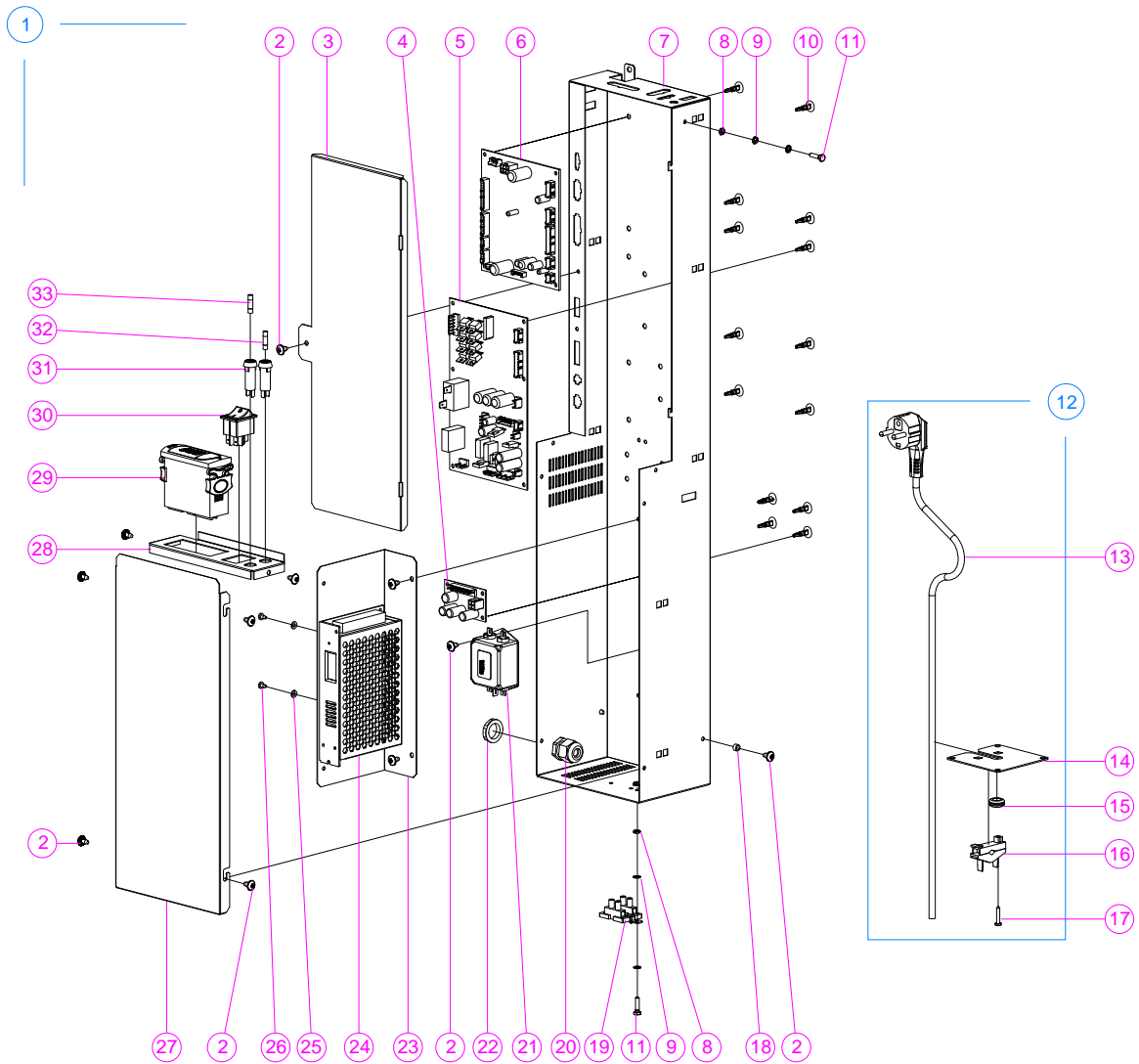
Pos	Code	Description	Serial Number Nota
20	408173	SENSOR HOLDER, RT	
21	408169	SENSORE "Y"	
22	412489	RIGHT SIDE X AXIS	
23	413303	ANTILIFT	000000000 - 2420010875
24	410740	POOLY J-14S3M7	
25	408167	BELT B60S3M1146 (6F)	
26	141369	HARNESS, SHELF SENSE SW (6F)	
27	413640	X PROFILE 615.5mm	2511000140 - ZZZZZZZZZZ
28	408603	POOLY, K-14S3M7	
29	144305	TOP BOARD COVER	
30	141374	TERMINAL BOARD ASSY "X"	
31	410250	BOTTOM BOARD COVER	
32	412865/1	X AXIS FRONT COVER	
33	141671	WHEEL AXLE X ASSEMBLY	Not included in the assembly



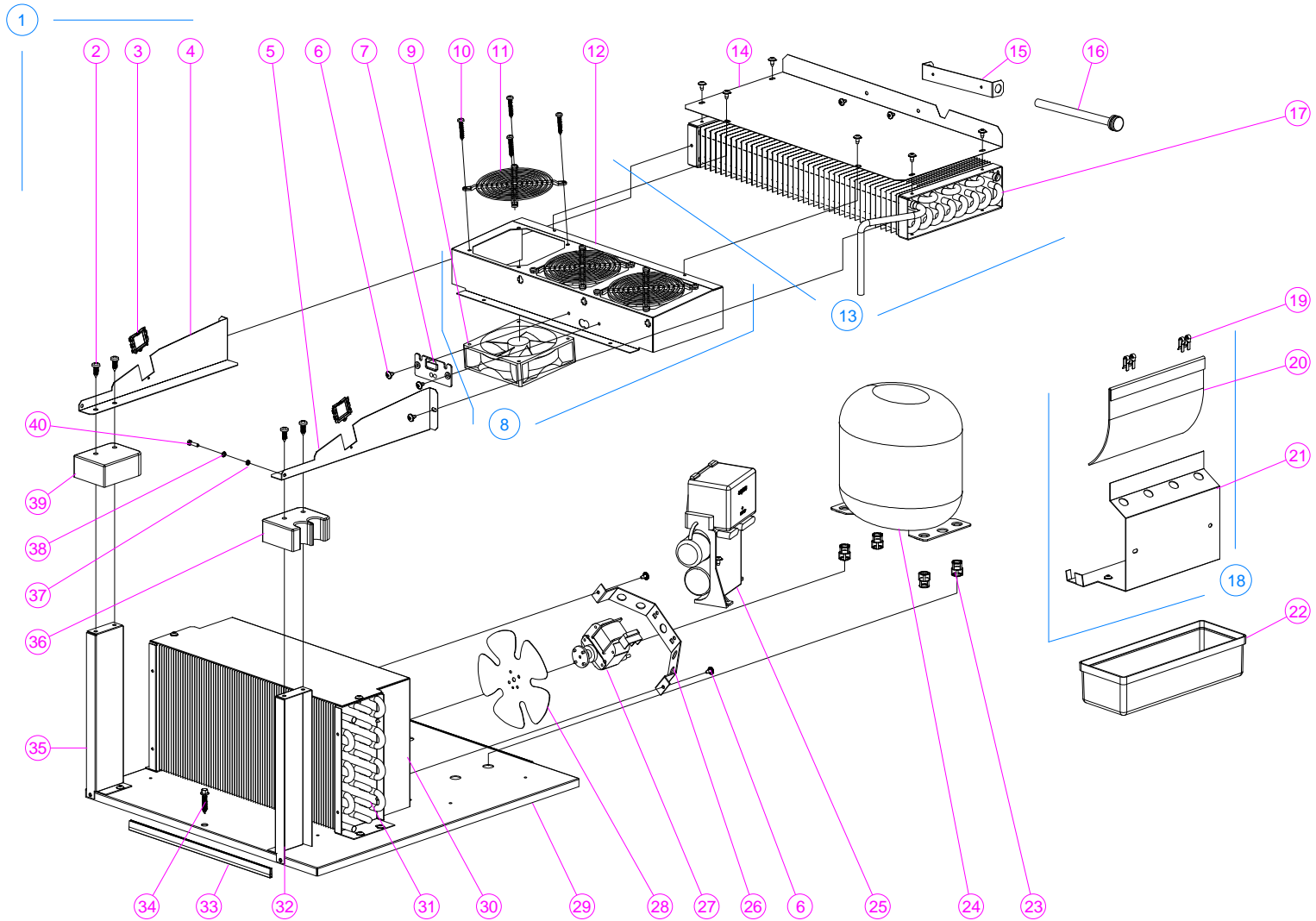
Pos	Code	Description	Serial Number Nota
1	141099	FLM ASSY	
2	141373	BUCKET BASE WITH MOTOR ASSY	
3	371110/1	SCREW, TC+4MAX10	
4	141372	BUCKET ASSY	
5	412375	SLIDE PRODUCTS	Not included in the assembly
6	408160	FORK	
7	408159	BUCKET	
8	408161	PANEL BUCKET	



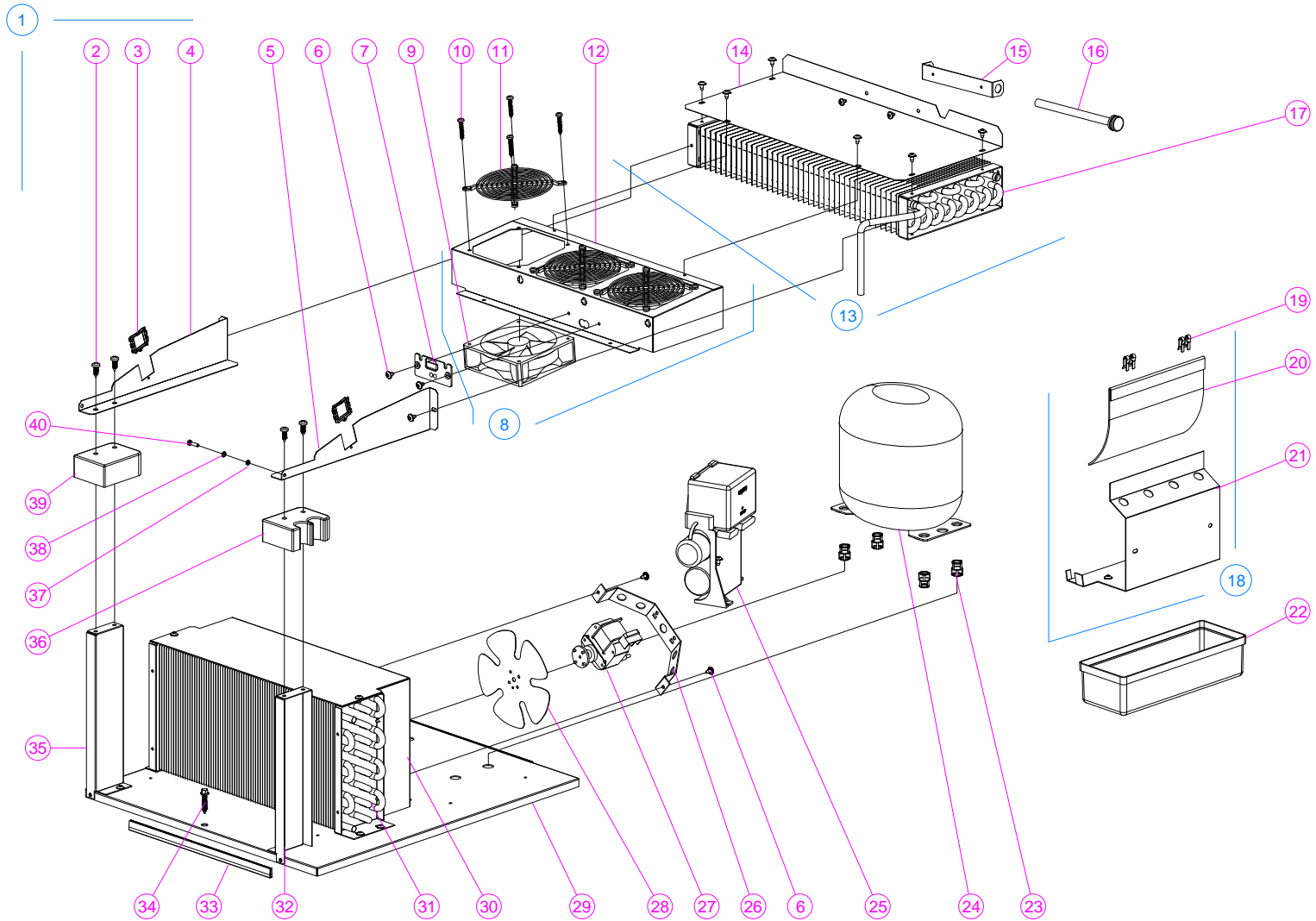
Pos	Code	Description	Serial Number Nota
1	143457	BOX TRANSFORMER ASSY	
1	143457/1	UK DL BOX TRANSFORMER ASSY	
1	143457/2	SELECTA DL BOX TRANSFORMER ASSY	
1	143936	CO2 DL BOX TRANSFORMER ASSY	
2	V800570	SCREW T1+4,8X9,5 S.POINT	
3	412151	BOARD COVER	
4	408724	CONTROLLER VOLTAGE BOARD	
5	407731	RELAYS BOARD SRB-1JGF01A-JC	
6	407732	SLAVE CONTROLLER SVC-1JGF63ACH	
7	411967	BOX TRANSFORMER	
8	381644	BRASS NUT M4	
9	V801039	WASHER D.E. 4X8	
10	386348/1	BOARD RETAINER SUPPORT	
11	381643	BRASS BOLT M4	
12	141388	PHARMACY - STD SERVICE CORD ASSY	Only with p/n 143457 and p/n 143936
12	141388/1	UK SERVICE CORD ASSEMBLY	Only with p/n 143457/1
12	141388/2	SELECTA SERVICE CORD ASSY	Only with p/n 143457/2
13	520044/16	SERVICE CORD	Only with p/n 141388
13	392711/1	SERVICE CORD "UK"	Only with p/n 141388/1
13	130471/4	SELECTA SERVICE CORD ASSY	Only with p/n 141388/2
14	408146	SERVICE CORD PLATE	



Pos	Code	Description	Serial Number Nota
15	408200	THREAD RING GUIDE	
16	408201	CABLE GRAND	
17	390558/1	SCREW 3,9 X 18	
18	386067	SPACER 5X7X3,9	
19	391032	TERMINAL BOARD	
20	391990	CABLE LOCK HEYCO 3213	
21	408912	FILTER SCHAFFNER FN2060-6-06	
22	391990/1	RING NUT 3213/B	
23	412380	BOX TRANSFORMER DIVIDER	0000000000 - 2521010445
23	412380/1	POWER SWITCHING SUPPORT	2521010446 - ZZZZZZZZZZ
24	413925	POWER SWITCHING LRS-150F-24	2612000872 - ZZZZZZZZZZ
25	V801440	WASHER	
26	V801441	SCREW	
27	412153	POWER SWITCH COVER	
28	412154/2	FUSE AND PUSH-BUTTON SUPPORT	2511000140 - ZZZZZZZZZZ
29	141478/6	GF6 & GF9 CONTROL UNIT ASSY	
29	141758/1	CO2 SNACK DRINK CONTROL UNIT ASSY	Only with p/n 143936
30	392627	LIGHT SWITCH	
31	395158	FUSE CARRIER	
32	386916/6	FUSE 5 X 20 3A	2511000140 - ZZZZZZZZZZ
33	386916/8	FUSE 5 X 20 10A	

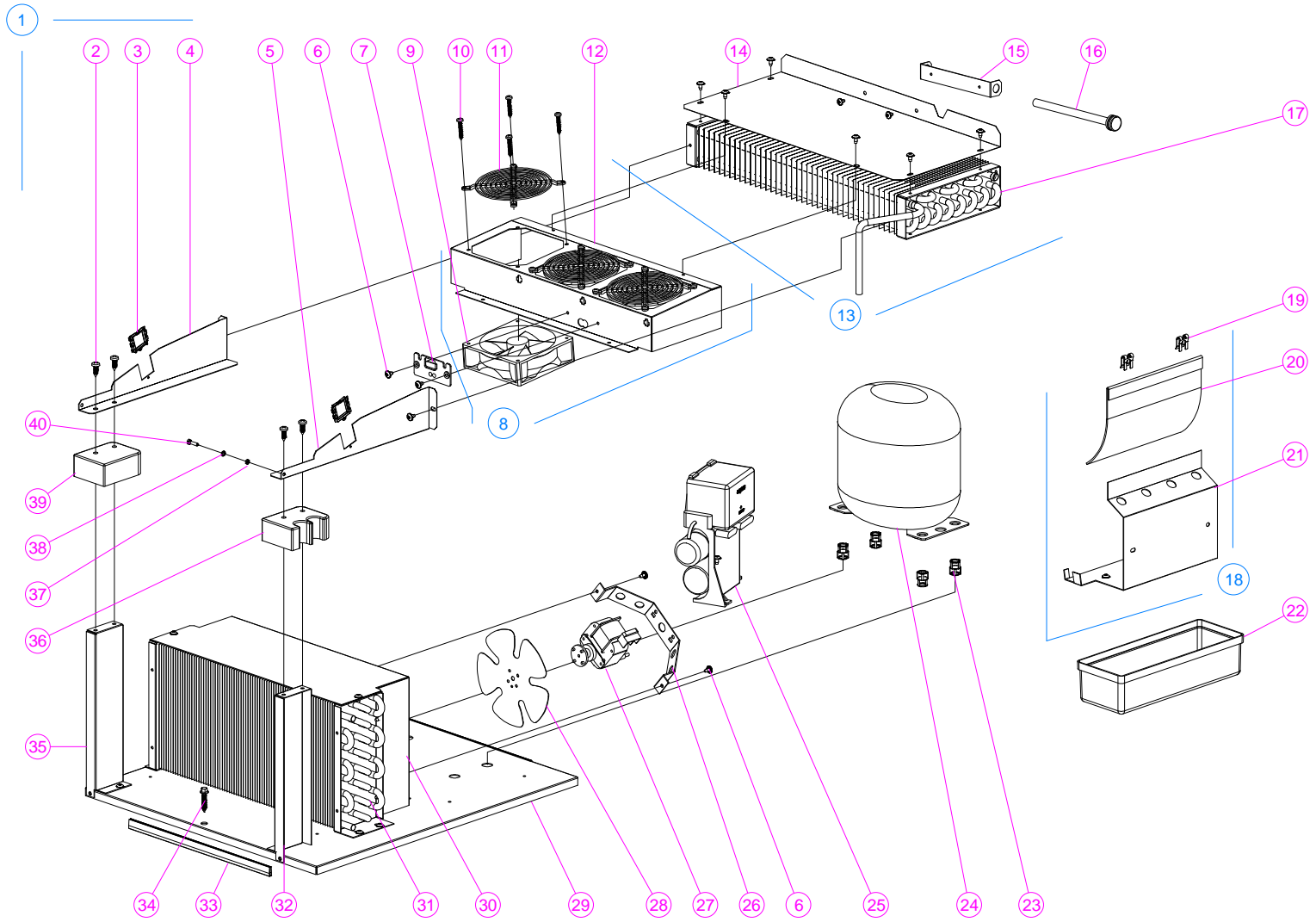


Pos	Code	Description	Serial Number Nota
1	143904	COOLING UNIT INSTALLATION ASSY	
1	143904/2	60Hz COOLING UNIT INSTALLATION ASSY	
1	143904/3	COOLING UNIT INSTALLATION ASSY SILENT	
2	V800876	SCREW 6,3X19	
3	408977	CABLE FASTNER	
4	408015/1	LH EVAPORATOR SUPPORT	
5	408015	RH EVAPORATOR SUPPORT	
6	V800570	SCREW T1+4,8X9,5 S.POINT	
7	404450	PROBE SUPPORT	
8	141353	FAN MOTOR ASSY	Only with p/n 143904 and 143904/2
8	141353/1	SILENT FAN MOTOR ASSY (OPTION)	Only with p/n 143904/3
9	407972	EVAPORATOR MOTOR FAN WIRED	Only with p/n 143904 and 143904/2
9	141329/1	SANYO C/L EVAPORATOR FAN MOTOR	Only with p/n 143904/3
10	392337/1	SCREW TC+ 4,8X32	
11	405734/1	FAN MOTORS GRID	
12	408138	FAN MOTOR SUPPORT	
13	140927	EVAPORATOR ASSEMBLY	
14	407080	AIR CONVEYOR	
15	408941	SUPPORT RESISTANCE WIRED	
16	402575/2	SELF-RESISTANCE TYPE 3	
17	403926/1	EVAPORATOR	

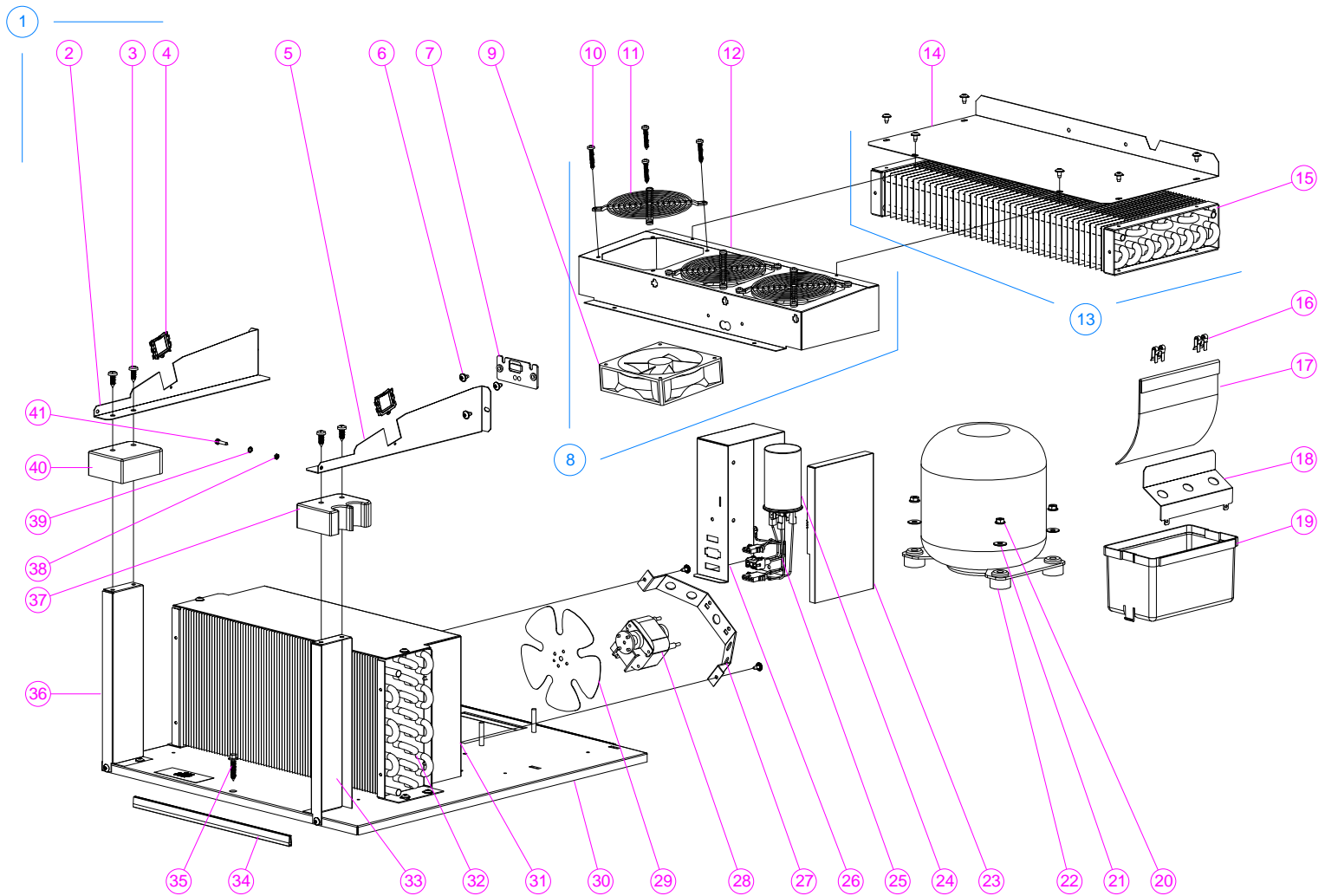


Pos	Code	Description	Serial Number Nota
18	138766	ASSORBENT ASSY	
19	400365	ASSORBENT CLIP	
20	396817	ASSORBENT SPONGE	
21	401731	ASSORBENT STRAP	
22	401457	CONDENSER BOX	
23	411609	SPIDER LOCK	
24	404972	NE9213GK ASPERA COMPRESSOR	Only with p/n 143904 and 143904/3
24	404972/1	NE9213GK 60Hz COMPRESSOR	Only with p/n 143904/2
25	412024	BOX ELETTR. COMPR. NE9213GK 50Hz	
26	391523/2	MOTOR FAN BRACKET	
27	391590/5	FAN MOTOR P30	
28	391591/3	SUCTION ALUMINIUM FAN BLADE	
29	407266/1	REFRIGERANT SYSTEM BASE	
30	408420	CONDENSER AIR CONVEYOR	
31	403392	CONDENSER	
32	413805	REFRIGERATION SYSTEM VERTICAL SUPPORT RH	
33	386430/20	U WHITE PROFILE MM.300	
34	386718	SCREW 6,3x32	
35	413805/1	REFRIGERATION SYSTEM VERTICAL SUPPORT LH	
36	405214	BUFFER IN PLASTIC WITH TWO CAVE	
37	405214/2	BUFFER IN PLASTIC WITHOUT CAVE	

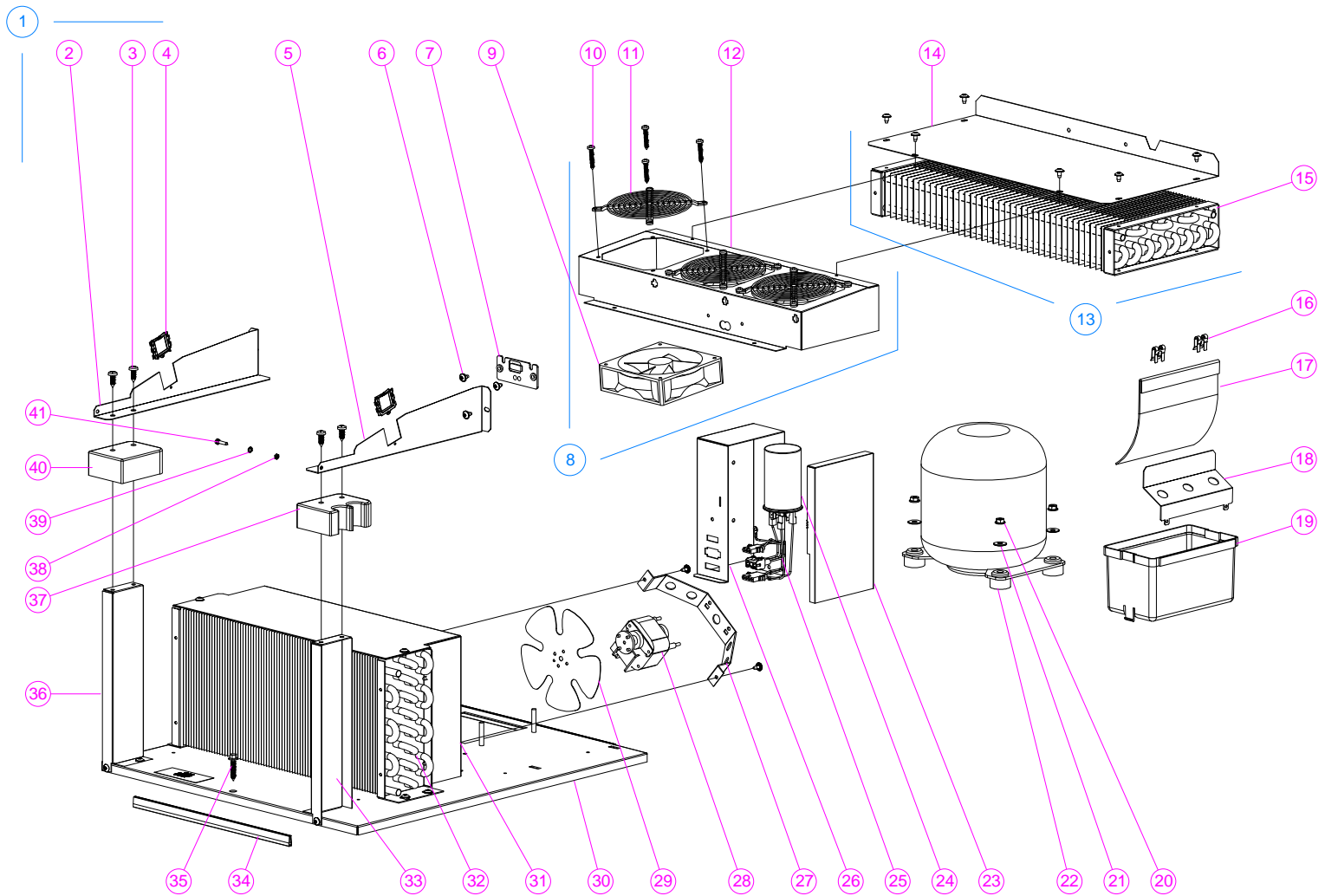




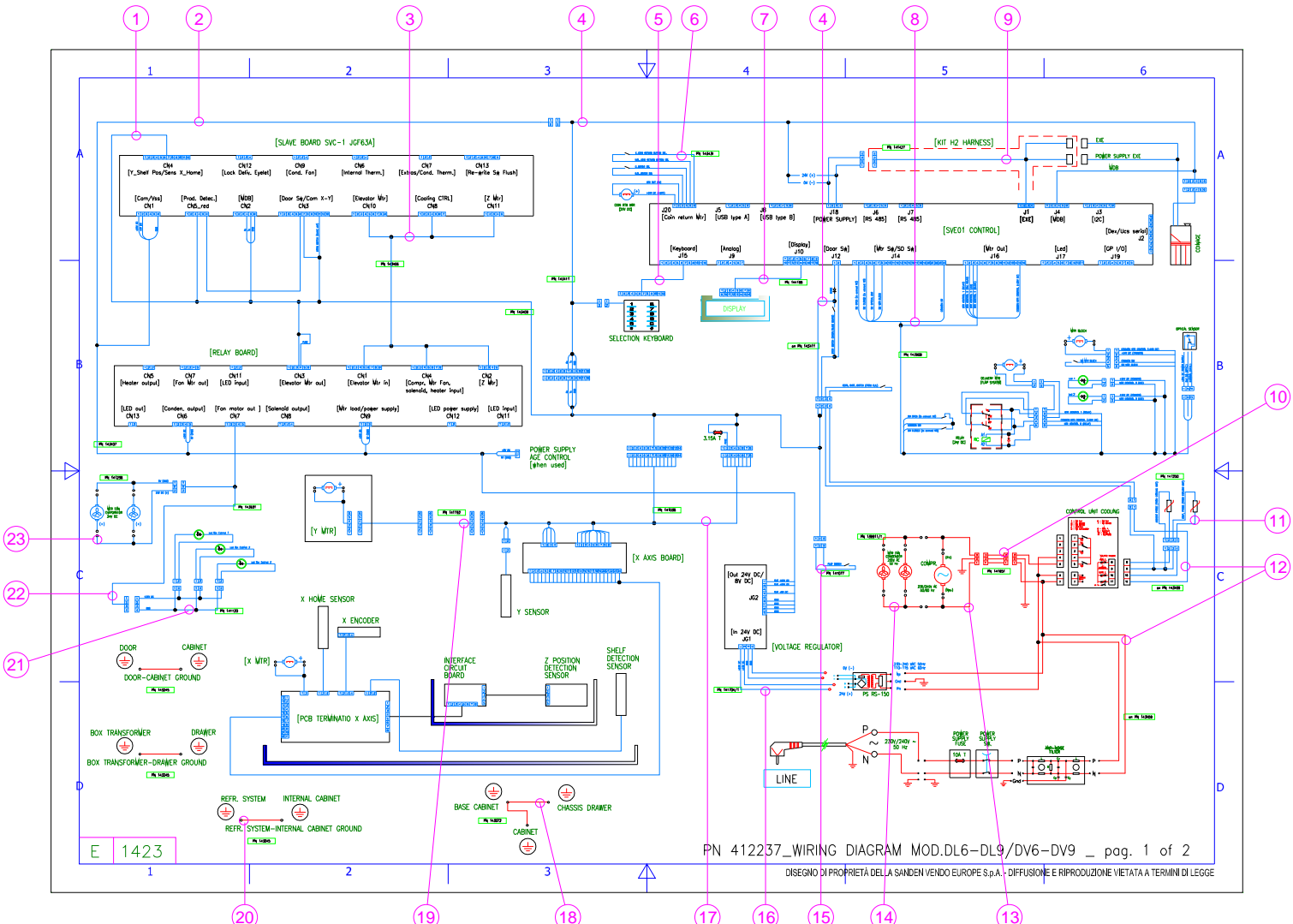
Pos	Code	Description	Serial Number Nota
38	381644	BRASS NUT M4	
39	V801039	WASHER D.E. 4X8	
40	381643	BRASS BOLT M4	



Pos	Code	Description	Serial Number Nota
1	143110/1	CO2 COOLING UNIT INSTALLATION ASSY	
2	408015/1	LH EVAPORATOR SUPPORT	
3	V800876	SCREW 6,3X19	
4	408977	CABLE FASTNER	
5	408015	RH EVAPORATOR SUPPORT	
6	V800570	SCREW T1+4,8X9,5 S.POINT	
7	404450	PROBE SUPPORT	
8	141353	FAN MOTOR ASSY	
9	407972	EVAPORATOR MOTOR FAN WIRED	
10	392337/1	SCREW TC+ 4,8X32	
11	405734/1	FAN MOTORS GRID	
12	408138	FAN MOTOR SUPPORT	
13	143111	CO2 EVAPORATOR ASSEMBLY	
14	407080	AIR CONVEYOR	
15	408621	CO2 EVAPORATOR	
16	400365	ASSORBENT CLIP	
17	396817	ASSORBENT SPONGE	
18	411163	ASSORBENT STRAP	
19	411109	CONDENSER BOX	
20	398224/3	NUT, FLANGED 6MA MILLED	
21	38148	FLAT WASHER 6X18X1.5	



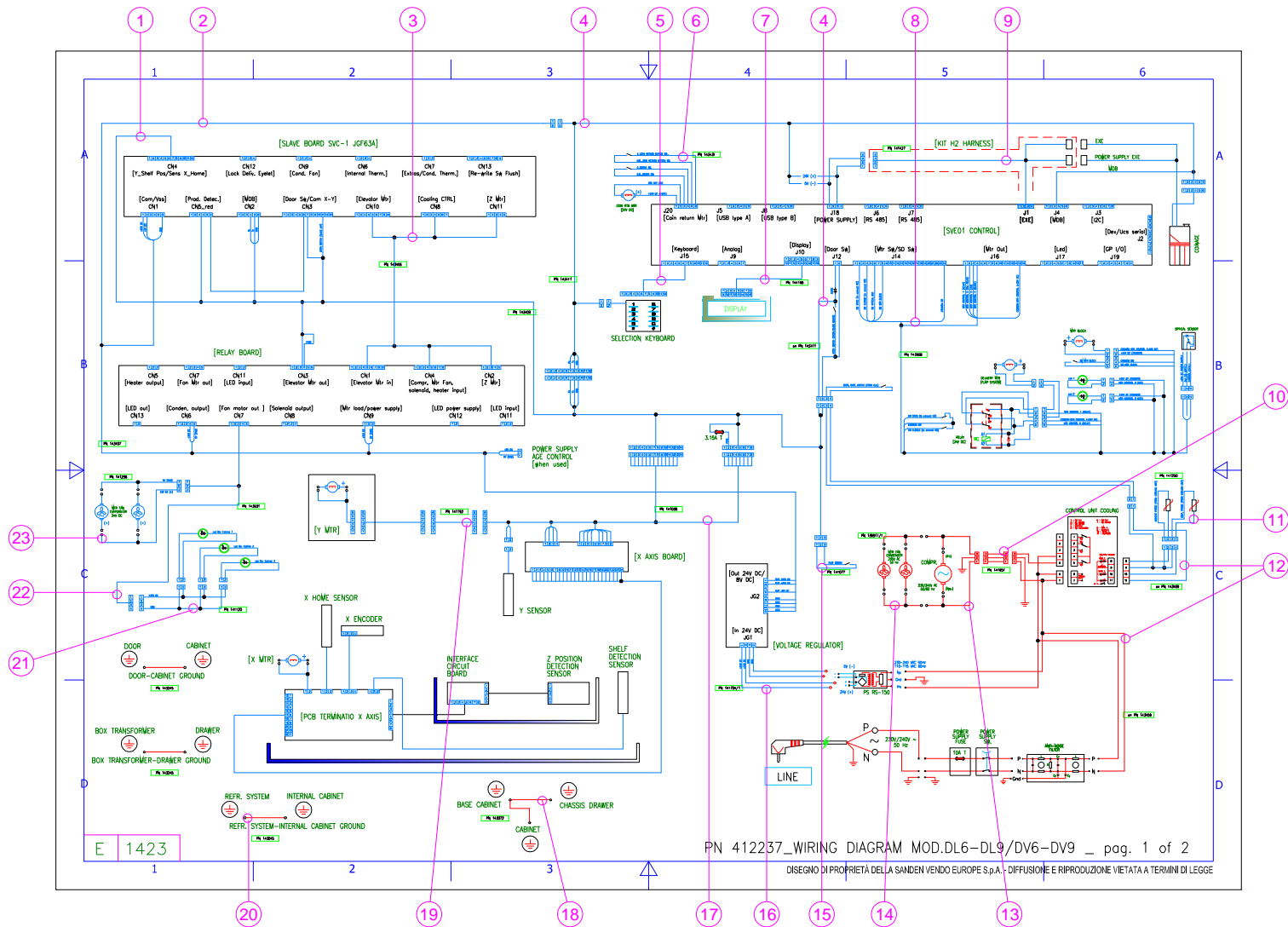
Pos	Code	Description	Serial Number Nota
22	413687	COMPRESSOR SRcBCA6439	
23	413793	COVER CAPACITOR BOX	
24	410734	CAPACITOR FOR COMPRESSOR SRcBCA6439	
25	143109	CO2 CAPACITOR / STARTING HARNESS	
26	413792	CAPACITOR BOX	
27	391523/2	MOTOR FAN BRACKET	
28	391590/5	FAN MOTOR P30	
29	391591/3	SUCTION ALUMINIUM FAN BLADE	
30	144461	REFRIGERAN UNIT BASE ASSY	
31	408420	CONDENSER AIR CONVEYOR	
32	408622	CO2 CONDENSER	
33	413805	REFRIGERATION SYSTEM VERTICAL SUPPORT RH	
34	386430/20	U WHITE PROFILE MM.300	
35	386718	SCREW 6,3x32	
36	408419/1	REFRIGERATION SYSTEM LH VERTICAL SUPPORT	
37	405214	BUFFER IN PLASTIC WITH TWO CAVE	
38	381644	BRASS NUT M4	
39	V801039	WASHER D.E. 4X8	
40	405214/2	BUFFER IN PLASTIC WITHOUT CAVE	
41	381643	BRASS BOLT M4	



PN 412237\_WIRING DIAGRAM MOD.DL6-DL9/DV6-DV9 \_ pag. 1 of 2

DISEGNO DI PROPRIETA' DELLA SANDEN VENDO EUROPE S.p.A. - DIFFUSIONE E RIPRODUZIONE VIETATA A TERMINI DI LEGGE

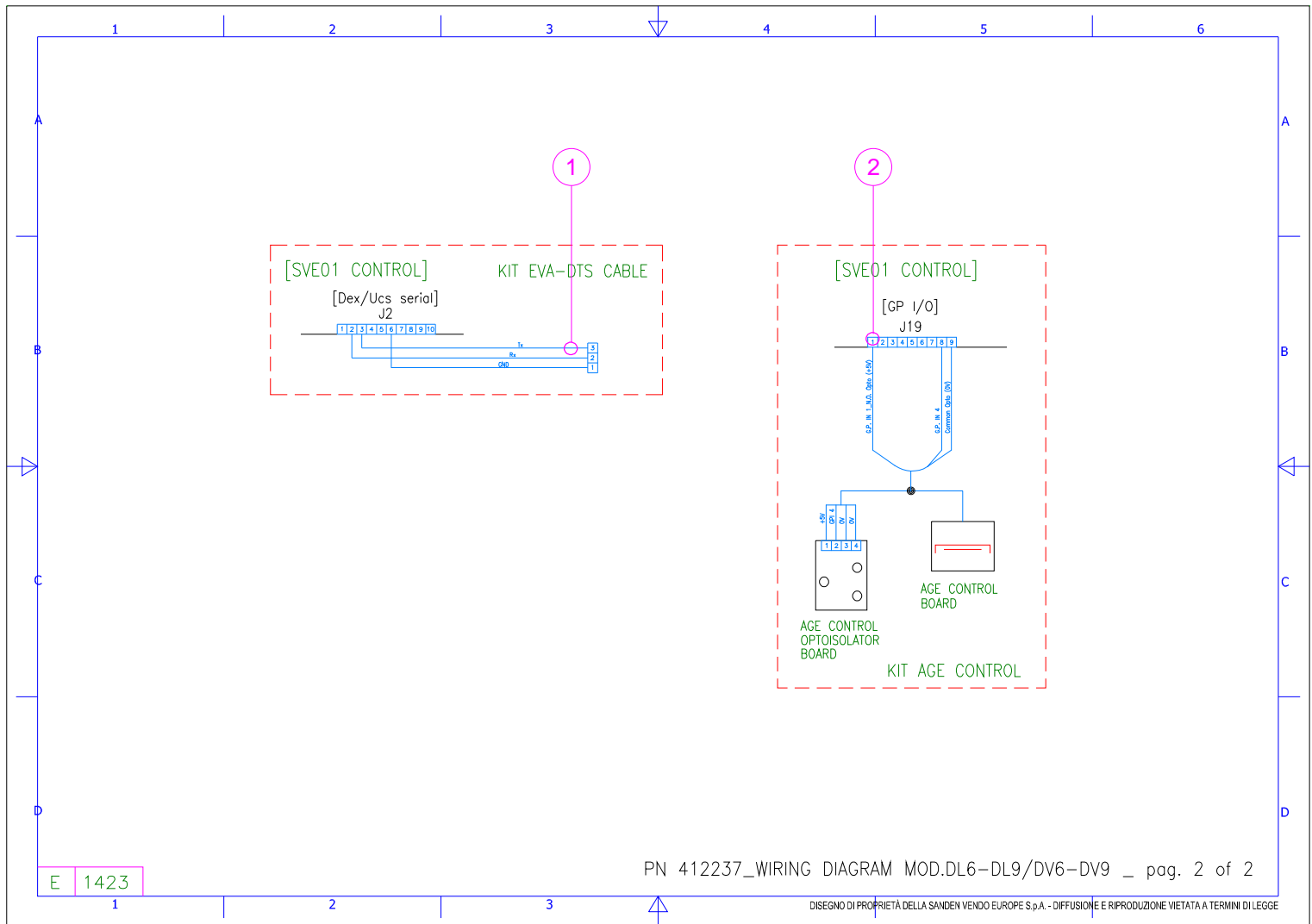
Pos	Code	Description	Serial Number Nota
1	143409	SIGNAL / CABINET ALIMENTATION HARNESS	
2	143407	+8V/+24V ALIMENTATION HARNESS	
3	143406	SLAVE / RELAY BOARD HARNESS	
4	143411	BT / SVE01 HARNESS	
5	143103/1	SVE01-CAPACITIVE DIRECT SEL. KEYBOARD HARNESS	
5	143009/1	SVE01-KEYBOARD HARNESS	
6	143431	COIN RETURN MOTOR HARNESS	
7	143091/2	DISPLAY HARNESS	000000000 - 2412002224
7	144166	DISPLAY HARNESS	2417008472 - ZZZZZZZZZZ
8	143908	FLAP SVE01 HARNESS	
9	141427	HARNESS SUPPLY/EXECUTIVE COINAGE	
10	141651	COMPRESSOR EXTENSION SOCKET HARNESS	
11	141250	PROBES HARNESS	
12	143459	TRANSFORMER BOX / CONTROL UNIT HARNESS	
13	140522/2	COMPRESSOR HARNESS	
14	139911/1	CONDENSER / FAN MOTORS HARNESS	
15	141077	FLAP DOOR MICRO-SWITCH HARNESS	
16	141704/1	HARNESS RS-150-24/REG.TENS.	
17	141036	DRAWER - CABINET HARNESS	
18	143372	GROUND WIRE (DOUBLE)	
19	141192	MINIF./SUMIKO INTERFACE HARNESS	



PN 412237\_WIRING DIAGRAM MOD.DL6-DL9/DV6-DV9 \_ pag. 1 of 2

DISEGNO DI PROPRIETA' DELLA SANDEN VENDO EUROPE S.p.A. - DIFFUSIONE E RIPRODUZIONE VIETATA A TERMINI DI LEGGE

Pos	Code	Description	Serial Number Nota
20	143245	GROUND WIRE	
21	141120	BOX TRANSFORMER / LED HARNESS	
22	143631	LED / EVAPORATOR FAN MOTOR ALIMENTATION HARNESS	
23	141236	EVAPORATOR / FAN MOTORS HARNESS	

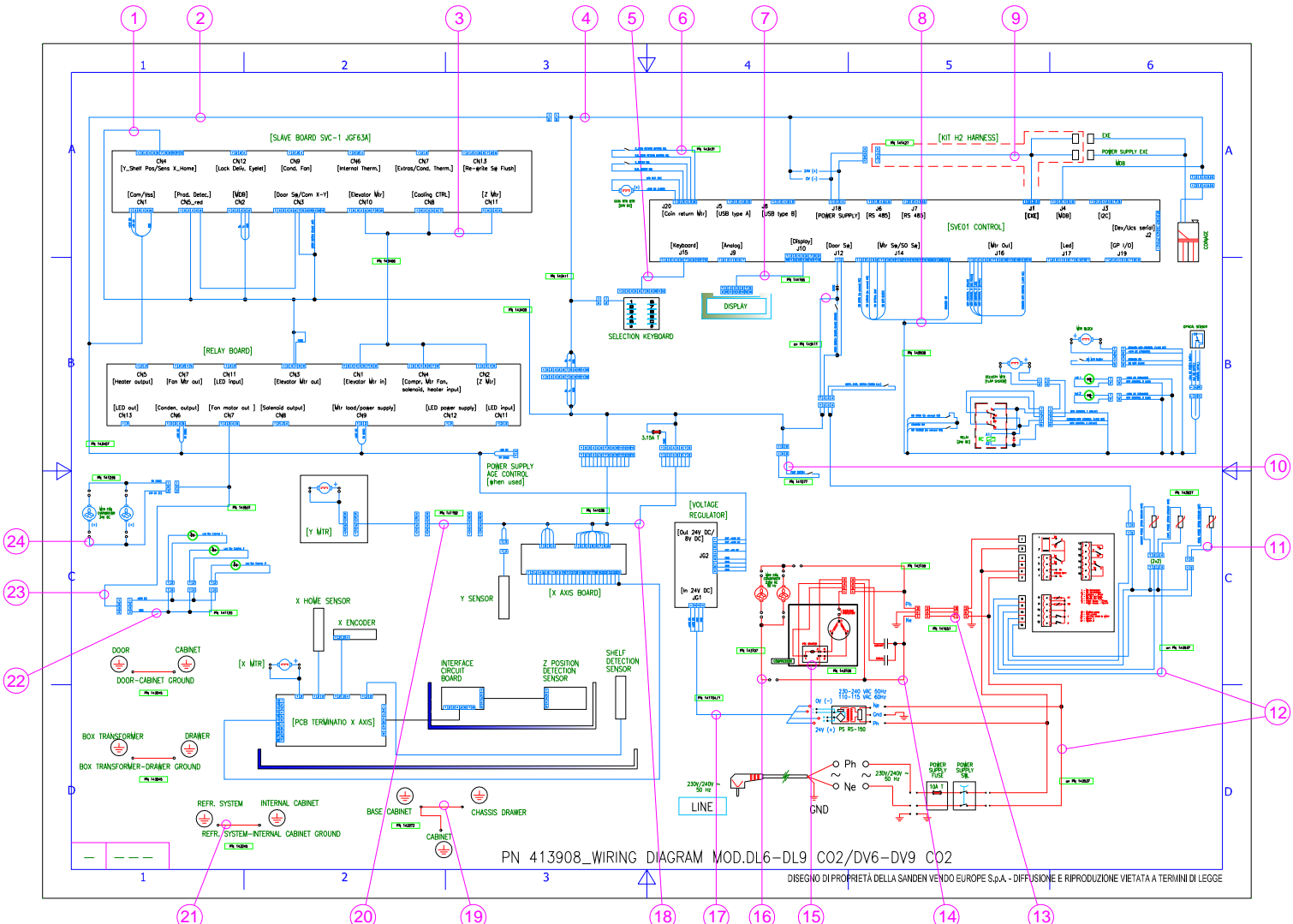


E 1423

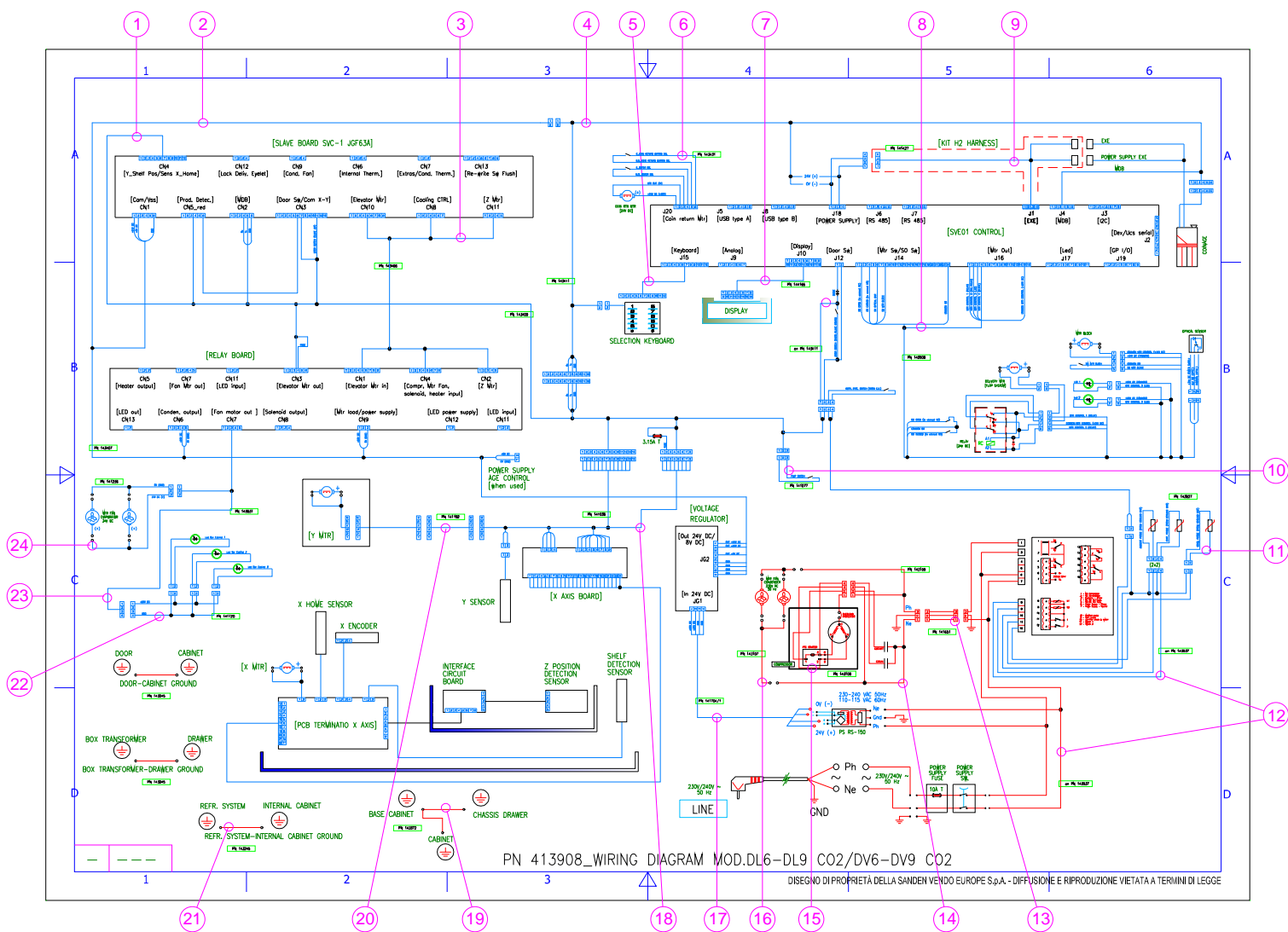
PN 412237\_WIRING DIAGRAM MOD.DL6-DL9/DV6-DV9 \_ pag. 2 of 2

DISEGNO DI PROPRIETÀ DELLA SANDEN VENDO EUROPE S.p.A. - DIFFUSIONE E RIPRODUZIONE VIETATA A TERMINI DI LEGGE

Pos	Code	Description	Serial Number Nota
1	144097	EVA-DTS HARNESS	
2	144390	AGE READER / TRANSFORMER BOX HARNESS	

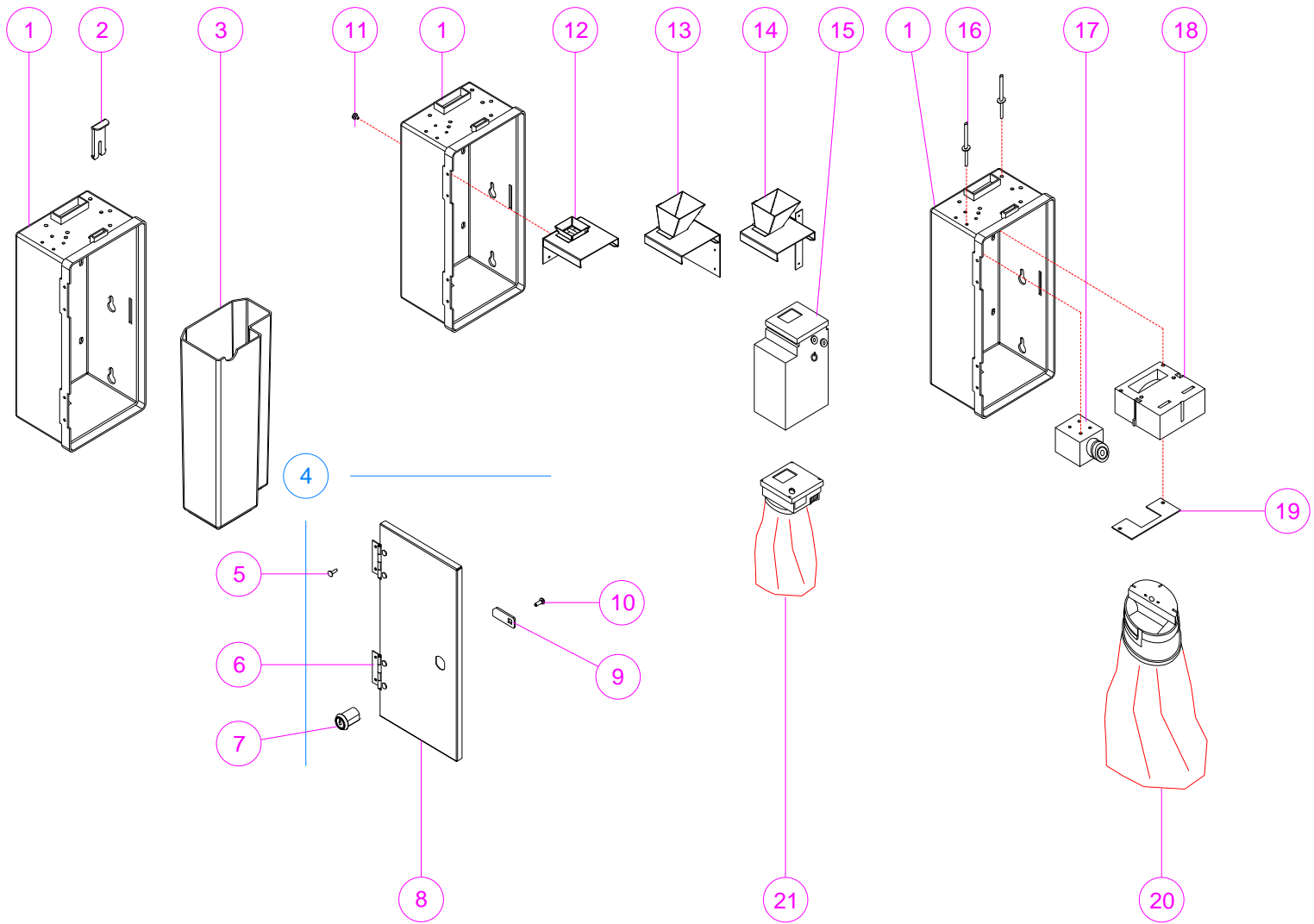


Pos	Code	Description	Serial Number Nota
1	143409	SIGNAL / CABINET ALIMENTATION HARNESS	
2	143407	+8V/+24V ALIMENTATION HARNESS	
3	143407	+8V/+24V ALIMENTATION HARNESS	
4	143411	BT / SVE01 HARNESS	
5	143103/1	SVE01-CAPACITIVE DIRECT SEL. KEYBOARD HARNESS	
5	143009/1	SVE01-KEYBOARD HARNESS	
6	143431	COIN RETURN MOTOR HARNESS	
7	144166	DISPLAY HARNESS	
8	143908	FLAP SVE01 HARNESS	
9	141427	HARNESS SUPPLY/EXECUTIVE COINAGE	
10	141077	FLAP DOOR MICRO-SWITCH HARNESS	
11	143927	CO2 PROBE HARNESS	
12	143937	CO2 TRANSFORMER BOX / CONTROL UNIT HARNESS	
13	141651	COMPRESSOR EXTENSION SOCKET HARNESS	
14	143109	CO2 CAPACITOR / STARTING HARNESS	
15	143108	CO2 COMPRESSOR POWER HARNESS	
16	143107	CO2 MOTORFAN CONDENSER HARNESS	
17	141704/1	HARNESS RS-150-24/REG.TENS.	
18	141036	DRAWER - CABINET HARNESS	
19	143372	GROUND WIRE (DOUBLE)	
20	141192	MINIF./SUMIKO INTERFACE HARNESS	

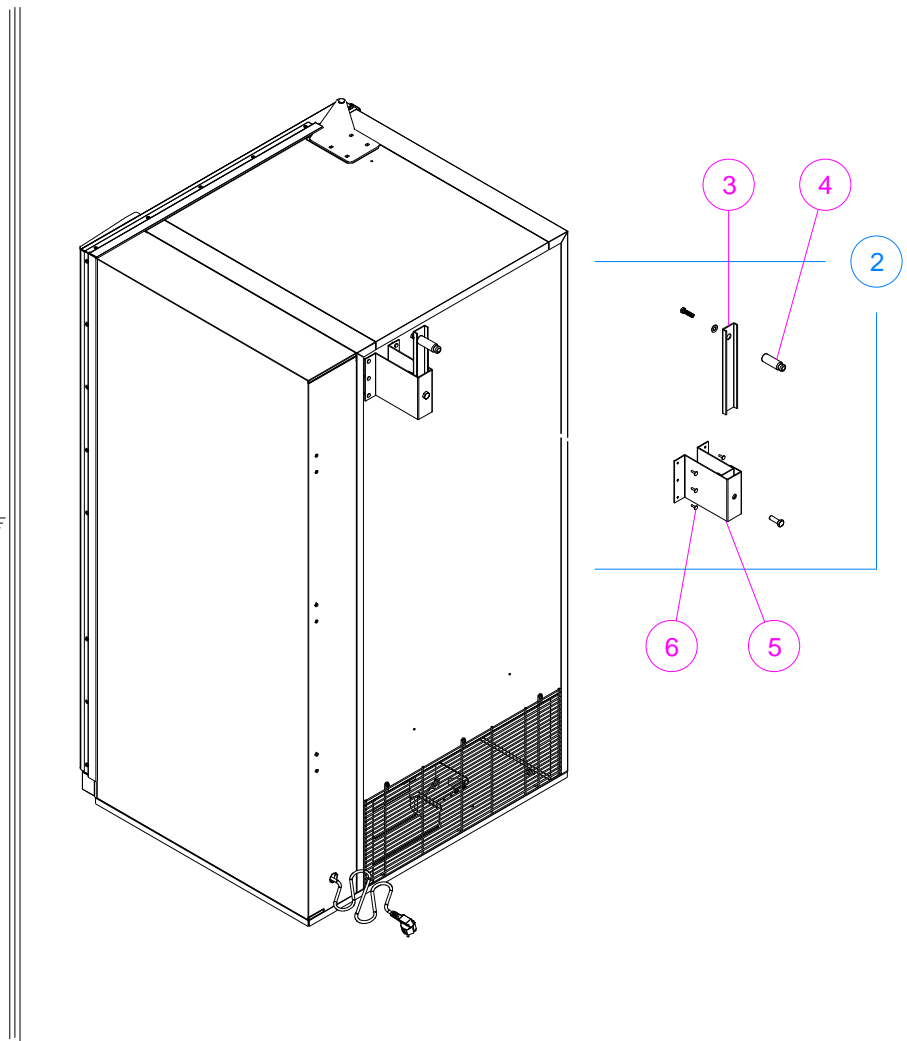
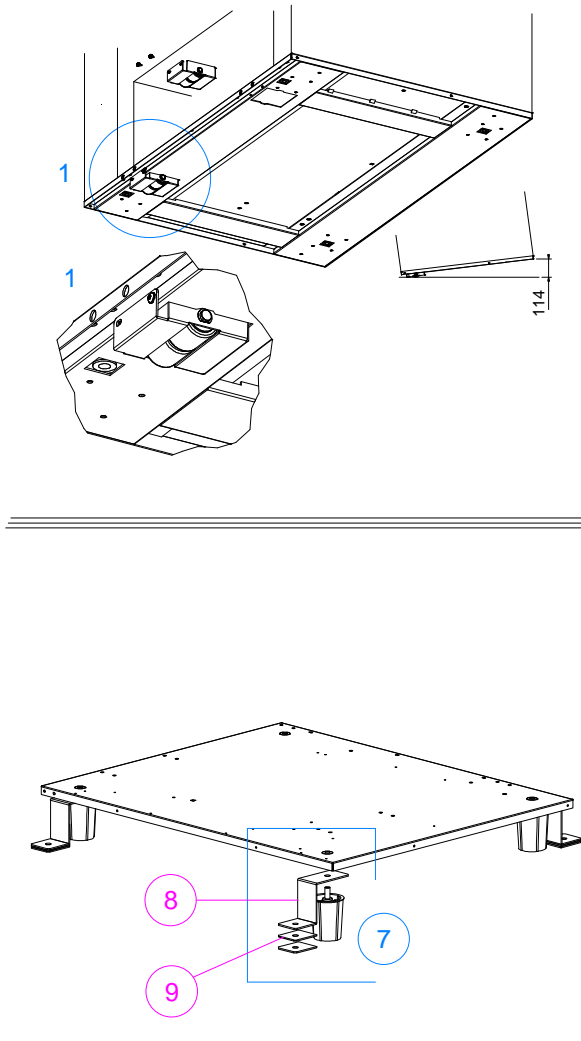


Pos	Code	Description	Serial Number Nota
21	143245	GROUND WIRE	
22	141120	BOX TRANSFORMER / LED HARNESS	
23	143631	LED / EVAPORATOR FAN MOTOR ALIMENTATION HARNESS	
24	141236	EVAPORATOR / FAN MOTORS HARNESS	





Pos	Code	Description	Serial Number Nota
1	400771	PLASTIC BOX	
2	400773	KEY	
3	400772	COIN BOX	
4	138546	LOCK WITH DOOR ASSY	
5	333097/2	POP RIVET	
6	395336	HINGE	
7	123785...	LOCK WITH KEYS	Pls. Specify lock / key code
8	401075	FLAP DOOR	
9	391404	LOCK LEVER	
10	371110/12	TAPPING SCREW TC+ 4MAX12	
11	V800569	SCREW TC+ 4,8x6,5	
12	401255	SAFEGUARD FUNNEL	
13	401256	SAFER SYSTEMS FUNNEL	
14	401257	COIN CONVEYOR	
15	395159...	SAFEGUARD COIN BOX	Pls. specify code or customer name
16	333097/2	POP RIVET	
17	391642...	HONOR GARD LOCK	Pls. specify code or customer name
18	391641...	HONOR GARD COIN BAG SUPPORT	Pls. specify code or customer name
19	401250	PLATE H.G.	
20	391640...	HONOR GARD BAG	Pls. specify code or customer name
21	397755...	SAFER SYSTEMS COIN BAG	Pls. specify code or customer name



Pos	Code	Description	Serial Number Nota
1	141648	Roller Kit	
2	135078/1	KIT FIXING ON THE WALL	
3	386460	BRKT FOR OUT DOOR	
4	391598	INSERT	
5	130461/1	BRKT REAR WELD ASSY	
6	333097/2	POP RIVET	
7	139218/1	KIT FASTEN TO FLOOR	
8	408028	FASTEN TO FLOOR BRKT	
9	407994	THICKNESS	

REV. REV. REV. REV.	DATA REV. REV. DATE DATE REV. DATUM REV.	ECRN ECRN ECRN ECRN	DISEGNI REVISIONATI REVISION DESSIN REVISÈ ÄNDERUNG	PAGINA PAGE PAGE SEITE
000	09/09/2015		Creation manual of spare parts	
001	10/03/2016		Updated Display Panel page	
			Added p/n 410250 and 410251 on X movement page	
			Updated Transformer box page	
			Updated electric diagram pages	
			Added electric diagram CO2 version page	
			Updated STD/ SCI Coin Insert Pannel pages	
			Added Collar / Plug / Window page	
			Updated door page	
			Updated Drawer assembly page	
			Updated Control Panel page	
	Updated FLAP pages			
002	19/04/2016		Added Plastic FLAP pages	
			Updated Drawer assembly page	
003	01/07/2016	1473	Added New Coin Chute in plastic	
			Added New Return Coin Chute in plastic	
004				
005				